

6153 / 6653 AC Inlet and Outlet - High Current



6153



6653

- For "cold" connections 70°C, Protection Class I
- AC inlet and ac outlet for high currents
- AC inlet and ac outlet screw-on from front
- Solder terminals .158 x .032" (4.0 x 0.8mm), quick-connect .250 x .032" (6.3 x 0.8mm) or solder/quick connect .187 x .032" (4.8 x 0.8mm)
- 0.5 Nm torque required for M3 screws
- Material: thermoplastic UL 94V-O; (outlet with solder terminals UL 94V-2)
- Prongs and terminals: brass

UL recognition 20A/125V, 16A/250V
 CSA certification 20A/125V, 16A/250V
 VDE approval 16A/250V

File #E96454/103791
 File #LR20028/73165
 File #60314

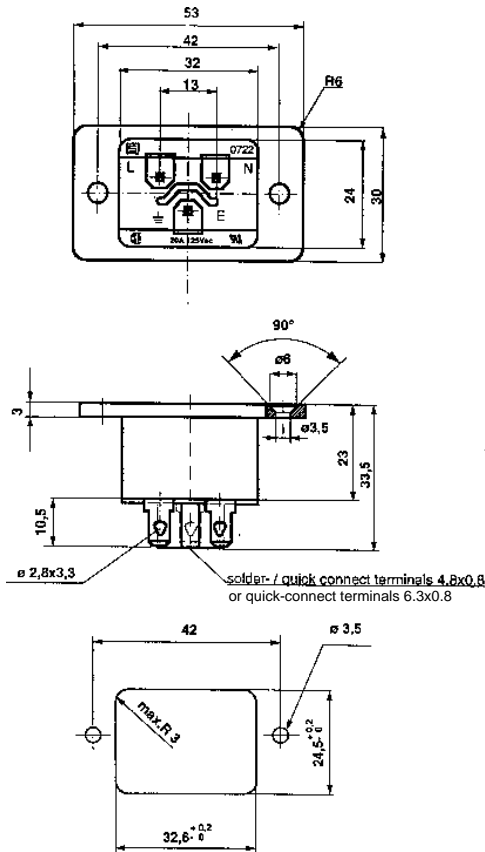
SEMKO approval 16A/250V
 SEV approval 16A/250V

} File numbers on request

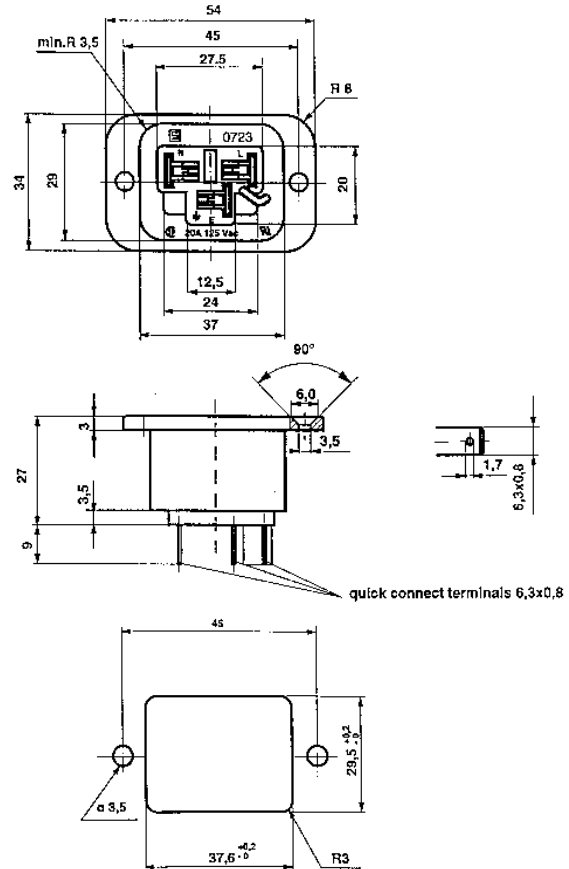


Standards: EN 60320; IEC 320/C19 (outlet), C20 (inlet), VDE 0625

6153 inlet (0722)



6653 outlet (0723)



Order Numbers (type)

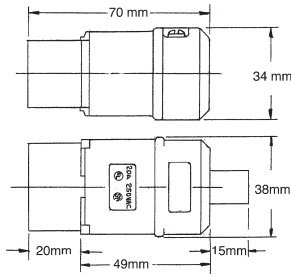
6153 inlet	Terminal type	6653 outlet	Terminal type
6153.3100 (0722)	solder/quick-connect terminals .187 x .032" (4.8 x 0.8mm)	6653.3100 (0723)	solder terminals .158 x .032" (4.0 x 0.8mm)
6153.3300 (0722)	quick-connect terminals .250 x .032" (6.3 x 0.8mm)	6653.3300 (0723)	quick-connect terminals .250 x .032" (6.3 x 0.8mm)

PLUG MATES Rewireable



4300.0922

NEW
20 Amp



4300.0922 (mates with C19 outlet)

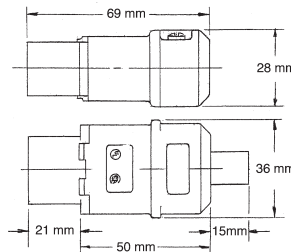
- For "cold" connections 70°C, Protection Class I
- AC inlet plug for high currents, with straight cable entry
- For North American cordage 16/3 SJ to 12/3 SJ (.325 to .475" dia.), or International (HAR Cord) 3x1.5mm² to 3x2.5mm² (8 to 12mm dia.)
- Disassemble plug for cable connection
- Housing: thermoplastic; prongs and terminals: brass
- For mating ac outlet see 6653, page 18

UL listing 20A/250V File # E96454
 CSA certification 20A/250V File #LR702825
 TUV pending



4300.0921

NEW



4300.0921 (mates with C20 inlet)

- For "cold" connections 65°C, Protection Class I
- AC outlet plug for high currents, with straight cable entry
- For North American cordage 16/3 SJ to 12/3 SJ (.275 to .475" dia.), or International (HAR Cord) 3x1.5mm² to 3x2.5mm² (8 to 12mm dia.)
- Disassemble plug for cable connection
- Housing: thermoplastic; prongs and terminals: brass
- For mating ac inlet/filter see C20F, page 53
- For mating ac inlet see 6153, page 18

UL listing 20A/250V File # E96454
 CSA certification 20A/250V File #LR702825
 TUV pending



Standards: IEC 320/C19 (outlet), /C20 (inlet)

CORDSETS

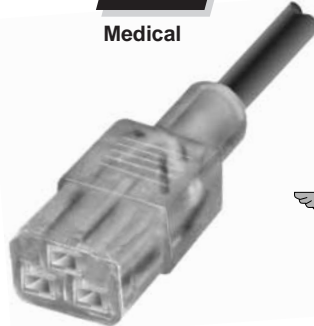


NEW
20 Amp



0888.0220/0222

NEW
Medical



0888.0221

- PVC plastic molding, SJT cordage
- Medical caution labels available on request
- For mating ac inlet/filter see C20F, page 53.
- For mating ac inlet see 6153, page 18

0888.0220 (mates with C20 inlet)

- North American cordset, with Nema 5-15P plug end
- SJT cordage (3x14 AWG), black, 8 foot length
- UL listing 15A/125V * File #E191239
- CSA certification 15A/125V * File #LR702497 * Nema 5-15P max. rating



0888.0221 Medical Grade (mates with C20 inlet)

- Medical grade, North American cordset with Nema 5-15P plug end
- SJT cordage (3x14 AWG), grey cord, 10 foot length
- Transparent connector and plug ends, with "green dot" marking
- UL listing 15A/125V * File #E147323
- CSA certification 15A/125V * File #LR77840 * Nema 5-15P max. rating

0888.0222 (mates with C20 inlet)

- North American cordset, with Nema 6-20P plug end
- SJT cordage (3x12 AWG), black, 8' 2" length
- c-UL listing, 20A/ 250V, File #E147323



Standards: IEC 320/C19 (outlet end)



Standards: Nema 5-15P (plug end)

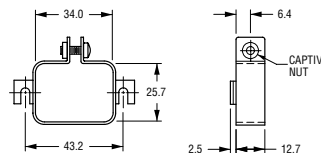


Standards: Nema 6-20P (plug end)

CORD RETAINING CLAMP prevents loosening or accidental removal of plug

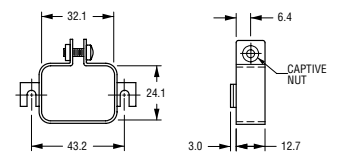


NEW



0888.0019

For rewireable plug mate 4300.0921



0888.0020

For cordsets shown above