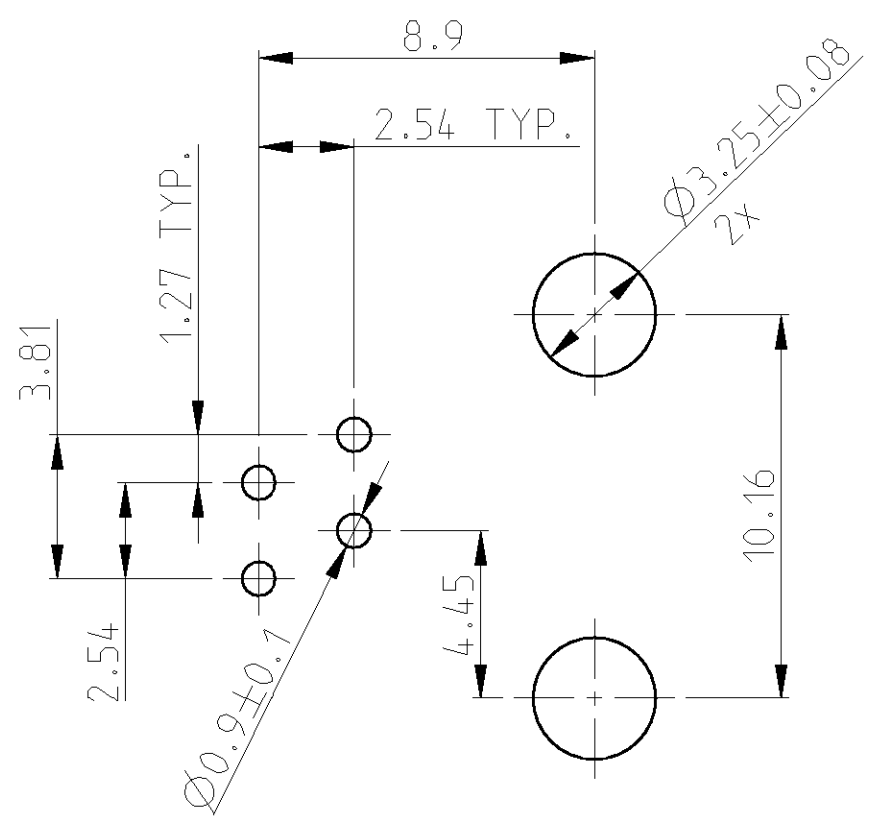
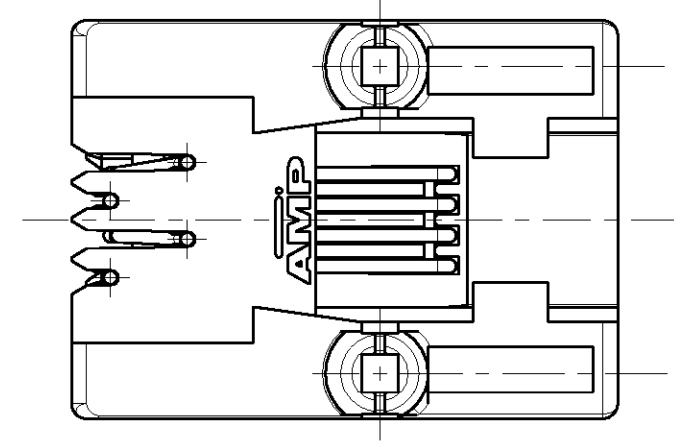
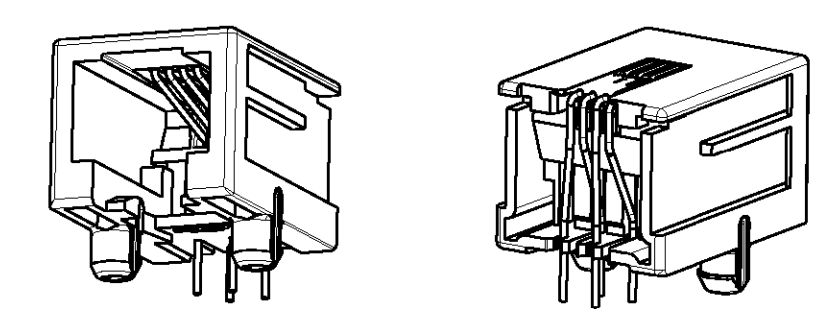
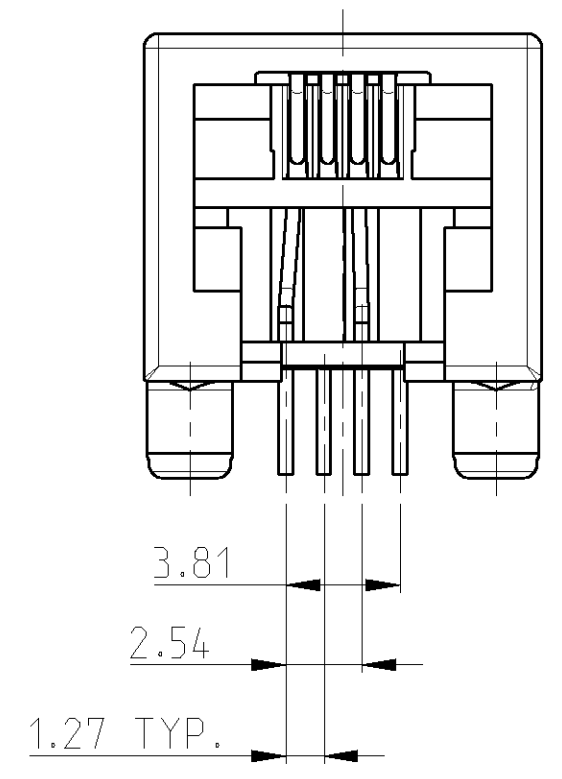
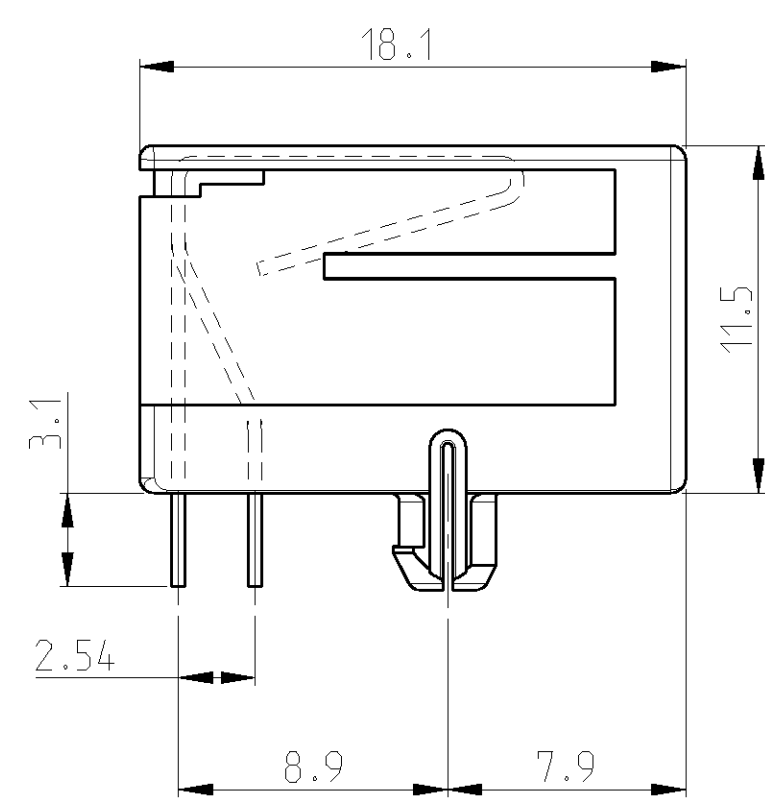
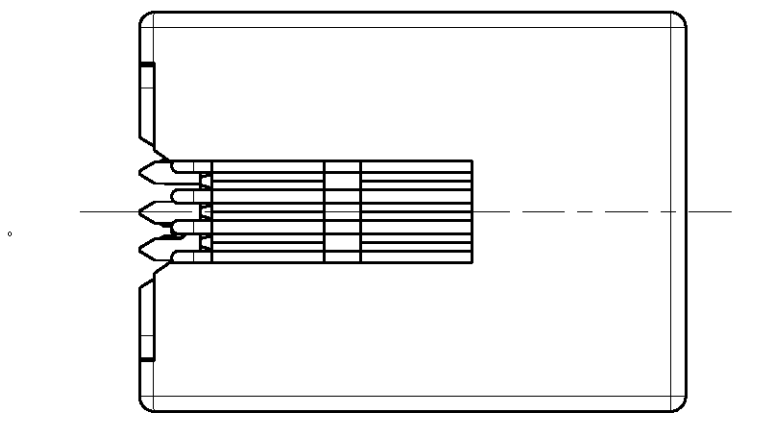
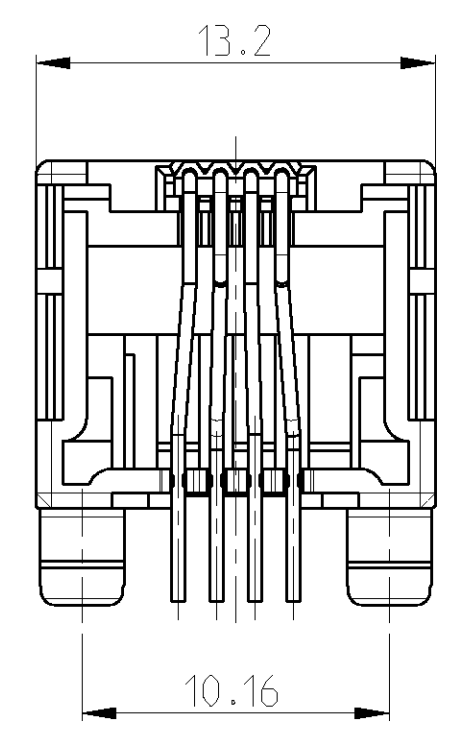


THIS DRAWING IS UNPUBLISHED. RELEASED FOR PUBLICATION 2000
 © COPYRIGHT 2000 BY TYCO ELECTRONICS CORPORATION. ALL RIGHTS RESERVED.

LOC	DIST	REVISIONS			
P	LTR	DESCRIPTION	DATE	DWN	APVD
-	-	SEE SHEET 1	-	-	-

- 1 SEE SHEET 1 FOR MODULAR JACK 6 POS./6 CONTACTS.
- 2 FOR APPLICATION INFORMATION SEE AMP SPEC. 114-19019.
- 3 FOR PERFORMANCE REQUIREMENT SEE AMP SPEC. 108-19064.
- 4 TOLERANCES UNLESS OTHERWISE SPECIFIED: $\pm 0,15$.



TAPE MOUNTED 800 PCS/REEL	6 POS./ 4 CONTACTS	IN CONTACT AREA: 1,2 µm MIN. SEL. GOLD OVER 1,2 µm MIN. NICKEL SOLDER TINES: 2,5 µm MIN. TIN OVER 1,2 µm MIN. NICKEL	HOUSING COLOR BLACK: PBT, UL 94 V-0 CONTACT INSERT: PBT, UL 94 V-0 CONTACTS: Ph-BRONZE	215876-2
	SUPERSEDED BY 215876-2			1 215876-2
PACKAGING	REMARKS	FINISH	MATERIAL	P/N

PRINTED CIRCUIT BOARD LAYOUT (6 POS./4 CONTACT)
 [VIEW SHOWN IS CIRCUIT (NON-COMPONENT) SIDE OF BOARD]
 PRINTED CIRCUIT BOARD THICKNESS: 1,6mm NOMINAL.
 TOLERANCES UNLESS OTHERWISE SPECIFIED: $\pm 0,05$.

THIS DRAWING IS A CONTROLLED DOCUMENT FOR TYCO ELECTRONICS CORPORATION IT IS SUBJECT TO CHANGE AND THE CONTROLLING ENGINEERING ORGANIZATION SHOULD BE CONTACTED FOR THE LATEST REVISION.		DWN G.CONSTANT 24 SEP 96	tyco Electronics Tyco Electronics Nederland B.V. 's-Hertogenbosch, The Netherlands	
DIMENSIONS: mm		CHK G.CONSTANT 24 SEP 96	NAME MODULAR JACK, SIDE ENTRY, 6/4 FOR PRINTED CIRCUIT BOARD	
TOLERANCES UNLESS OTHERWISE SPECIFIED:		APVD R.SMEETS	PRODUCT SPEC 108-19064	
0 PLC ±	1 PLC ±	APPLICATION SPEC 114-19019	RESTRICTED TO	
2 PLC ±	3 PLC ±	WEIGHT	SIZE A2	CAGE CODE 00779
4 PLC ±	ANGLES ±	CUSTOMER DRAWING	DRAWING NO G=215876	SCALE 4:1
MATERIAL	FINISH	SHEET 2 OF 4		REV Z1

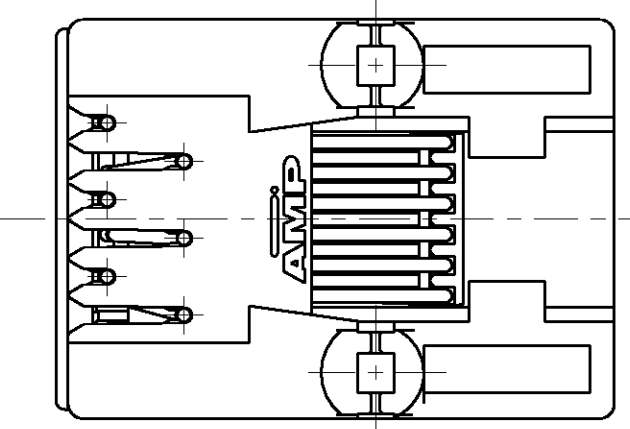
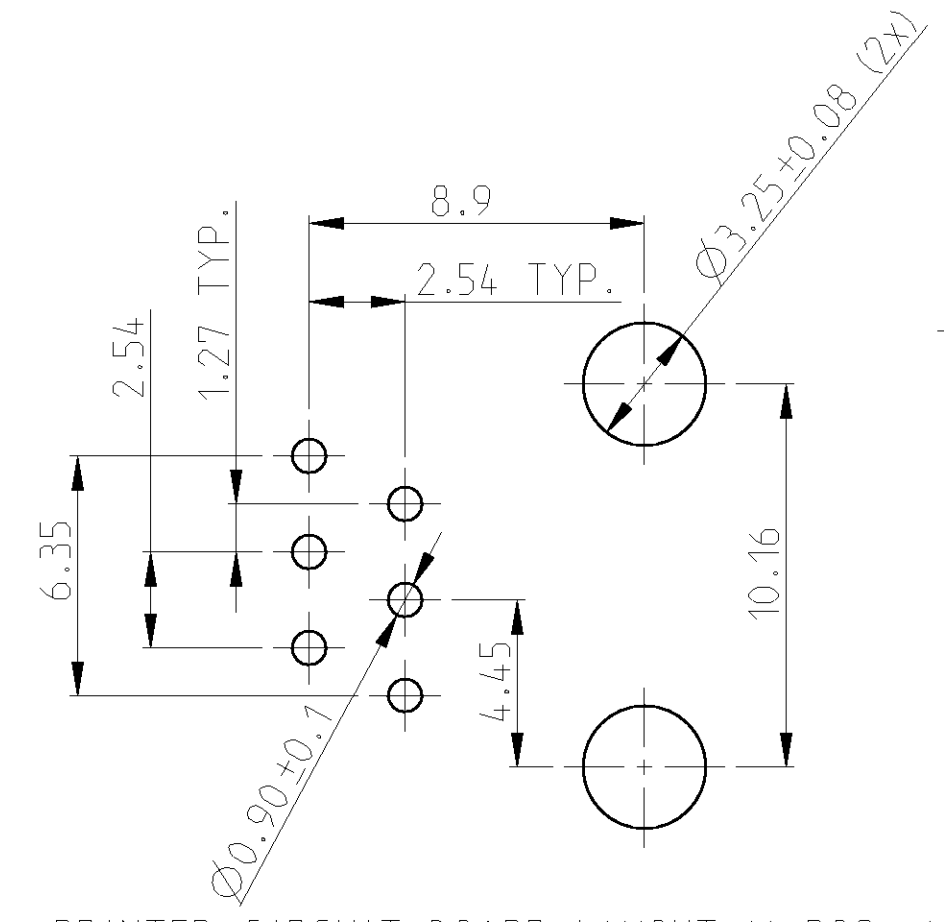
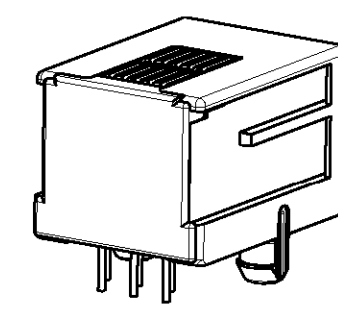
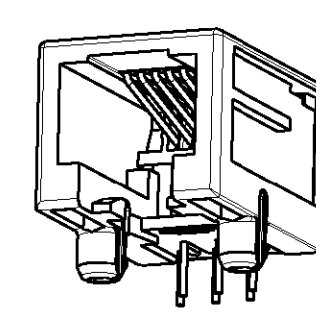
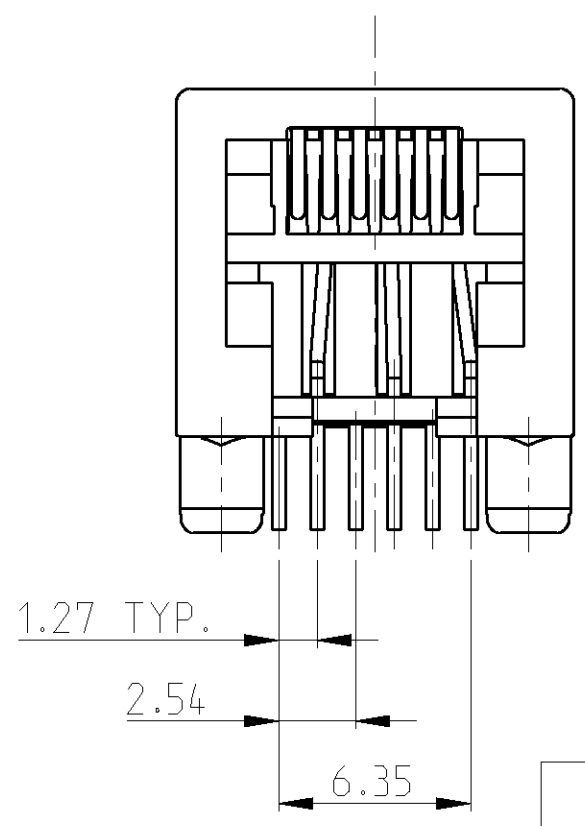
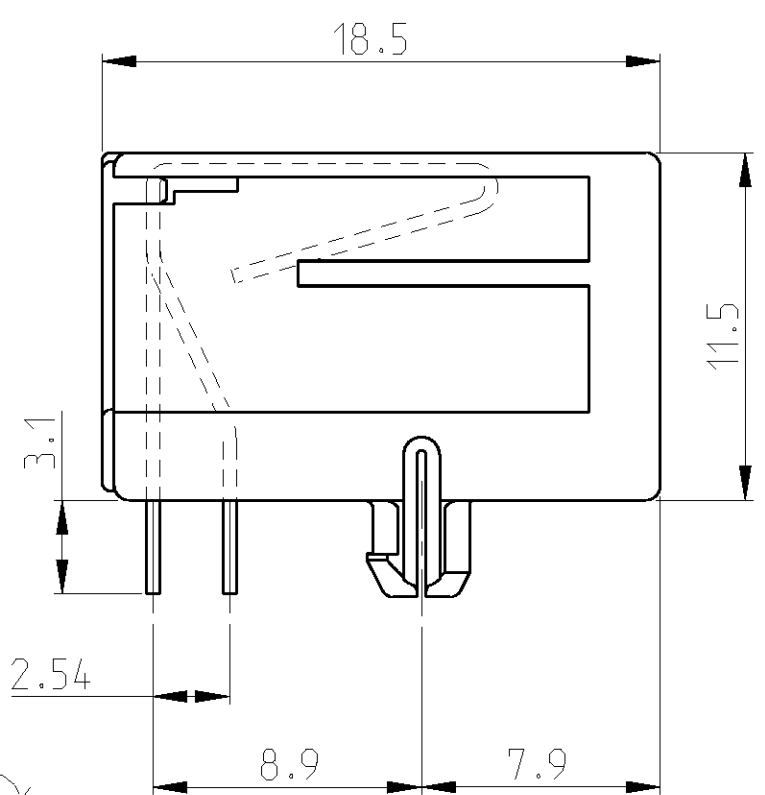
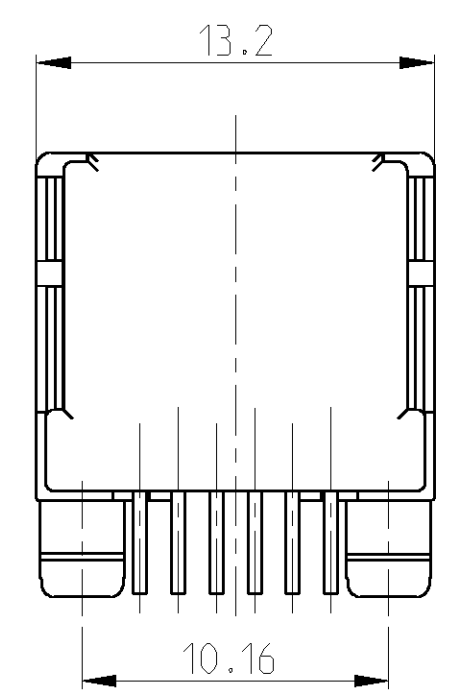
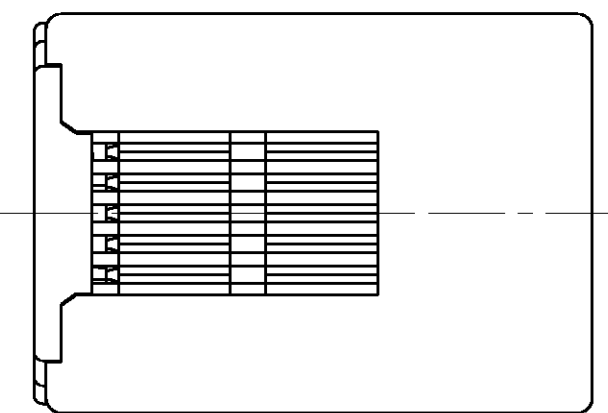
THIS DRAWING IS UNPUBLISHED. RELEASED FOR PUBLICATION 2000
 © COPYRIGHT 2000 BY TYCO ELECTRONICS CORPORATION. ALL RIGHTS RESERVED.

LOC	DIST	REVISIONS					
		P	LTR	DESCRIPTION	DATE	DWN	APVD
GW	-	-	-	SEE SHEET 1	-	-	-
		-	-		-	-	-

- 1 SEE SHEET 4 FOR MODULAR JACK 6 POS./4 CONTACTS WITH CONTACT COVER.
- 2 FOR APPLICATION INFORMATION SEE AMP SPEC. 114-19019.
- 3 FOR PERFORMANCE REQUIREMENTS SEE AMP SPEC. 108-19064.
- 4 TOLERANCES UNLESS OTHERWISE SPECIFIED: ± 0,15mm.

5 TRUE POSITIONING WILL NOT BE GUARANTEED USING THIS PACKAGING TYPE.

6 OBSOLETE PARTS: OBSOLETE CIS STREAMLINING PER D.RENAUD/D.SINISI



PACKAGING	REMARKS	FINISH	MATERIAL	P/N
BULK PACKED 1000 PCS IN A BOX	6 POS./ 6 CONTACTS	IN CONTACT AREA: 1.2 µm MIN. SEL. GOLD OVER 1.2 µm MIN. NICKEL SOLDER TINES: 2.5 µm MIN. TIN OVER 1.2 µm MIN. NICKEL	HOUSING COLOR BLACK PBT, UL94 V-0 CONTACT INSERT: PBT, UL94 V-0 CONTACT COVER: PBT, UL94 V-0 CONTACTS: Ph-BRONZE	5-215876-4
240 PIECES IN A TRAY				5-215876-3
TAPE MOUNTED 800 PCS/REEL				5-215876-4

6 OBSOLETE

PRINTED CIRCUIT BOARD LAYOUT (6 POS./6 CONTACTS)
 [VIEW SHOWN IS CIRCUIT (NON-COMPONENT) SIDE OF BOARD]
 PRINTED CIRCUIT BOARD THICKNESS: 1,6mm NOMINAL.
 TOLERANCES UNLESS OTHERWISE SPECIFIED: ± 0,05

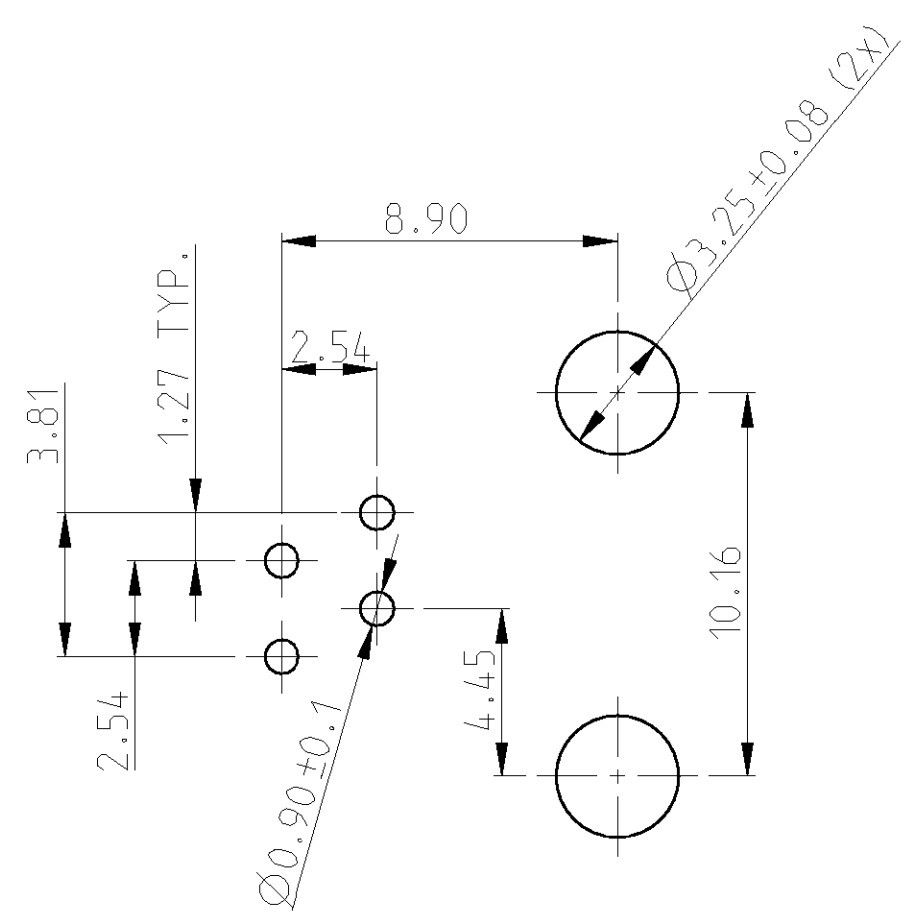
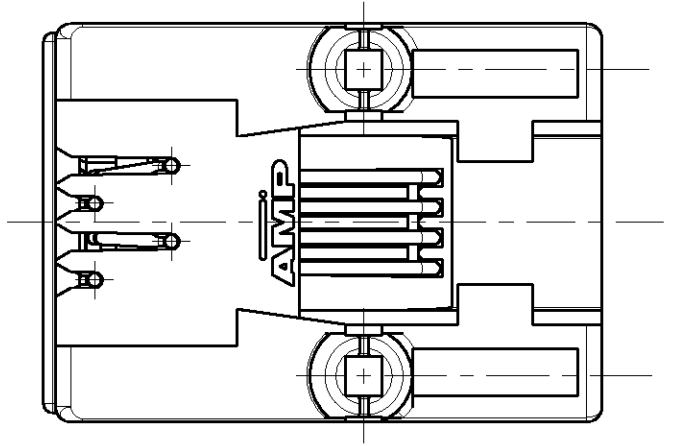
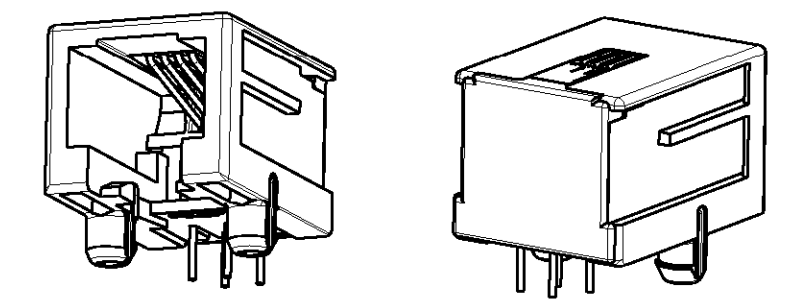
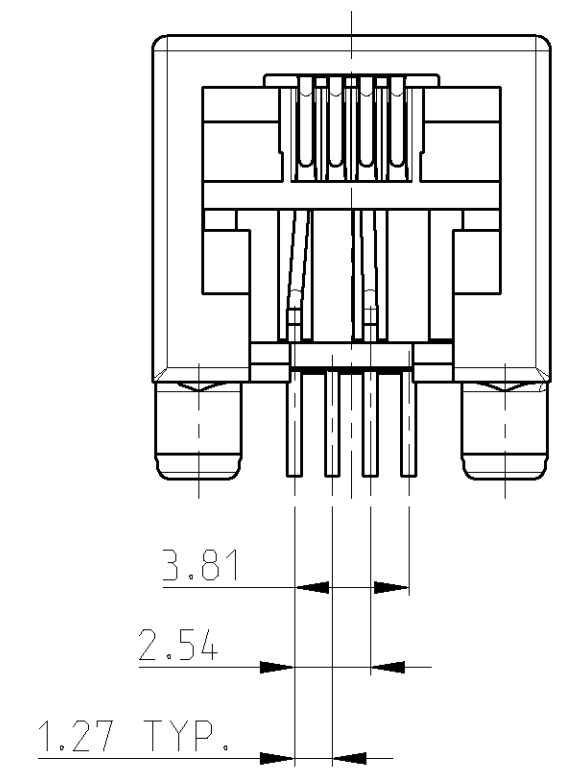
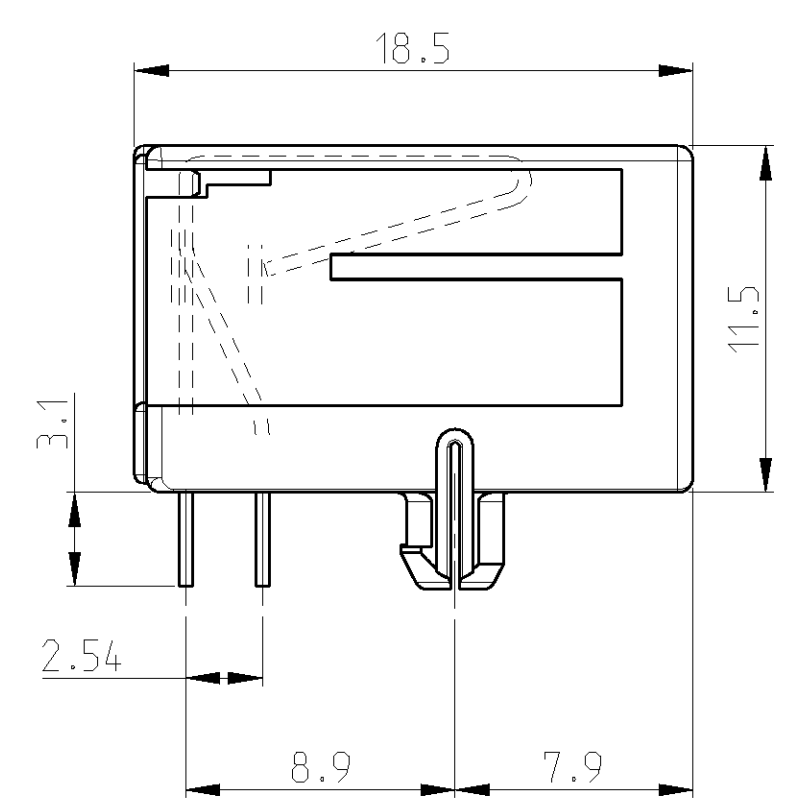
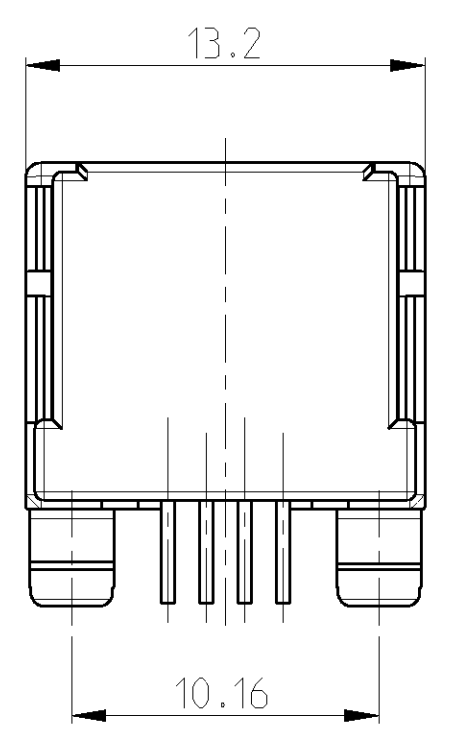
<small>THIS DRAWING IS A CONTROLLED DOCUMENT FOR TYCO ELECTRONICS CORPORATION IT IS SUBJECT TO CHANGE AND THE CONTROLLING ENGINEERING ORGANIZATION SHOULD BE CONTACTED FOR THE LATEST REVISION.</small>		DWN P.Willems 10-OCT-05 CHK P.Willems 10-OCT-05 APVD J.Broeksteeg 10-OCT-05	tyco Electronics Tyco Electronics Nederland B.V. 's-Hertogenbosch, The Netherlands
DIMENSIONS: mm 	TOLERANCES UNLESS OTHERWISE SPECIFIED: 0 PLC ± 1 PLC ±0.1 2 PLC ±0.01 3 PLC ±0.001 4 PLC ±0.0001 ANGLES ± FINISH -	PRODUCT SPEC 108-19064 APPLICATION SPEC 114-19019 WEIGHT -	NAME MODULAR JACK, SIDE ENTRY, 6/6 FOR PRINTED CIRCUIT BOARD WITH CONTACT COVER SIZE A2 CAGE CODE 00779 DRAWING NO. C=215876 RESTRICTED TO - SCALE 4:1 SHEET 3 OF 4 REV Z1
MATERIAL -		CUSTOMER DRAWING	

THIS DRAWING IS UNPUBLISHED. RELEASED FOR PUBLICATION 2000
 © COPYRIGHT 2000 BY TYCO ELECTRONICS CORPORATION. ALL RIGHTS RESERVED.

LOC	DIST	REVISIONS			
P	LTR	DESCRIPTION	DATE	DWN	APVD
GW	-	SEE SHEET 1	-	-	-

- 1 SEE SHEET 3 FOR MODULAR JACK 6 POS./6 CONTACTS WITH CONTACT COVER.
- 2 FOR APPLICATION INFORMATION SEE AMP SPEC. 114-19019.
- 3 FOR PERFORMANCE REQUIREMENT SEE AMP SPEC. 108-19064.
- 4 TOLERANCES UNLESS OTHERWISE SPECIFIED: ±0,15.

5 **OBSELETE PARTS: OBSELETE CIS STREAMLINING PER D.RENAUD/D.SINISI**



PRINTED CIRCUIT BOARD LAYOUT (6 POS./4 CONTACT)

[VIEW SHOWN IS CIRCUIT (NON-COMPONENT) SIDE OF BOARD]
 PRINTED CIRCUIT BOARD THICKNESS: 1,6mm NOMINAL.
 TOLERANCES UNLESS OTHERWISE SPECIFIED: ± 0,05.

PACKAGING	REMARKS	FINISH	MATERIAL	P/N
TAPE MOUNTED 800 PCS/REEL	6 POS./ 4 CONTACTS	IN CONTACT AREA: 1,2 µm MIN. SEL. GOLD OVER 1,2 µm MIN. NICKEL SOLDER TINES: 2,5 µm MIN. TIN OVER 1,2 µm MIN. NICKEL	HOUSING COLOR BLACK PBT, UL94 V-0 CONTACT INSERT: PBT, UL94 V-0 CONTACT COVER: PBT, UL94 V-0 CONTACTS: PH-BRONZE	5 215876-2

5
OBSELETE

<small>THIS DRAWING IS A CONTROLLED DOCUMENT FOR TYCO ELECTRONICS CORPORATION IT IS SUBJECT TO CHANGE AND THE CONTROLLING ENGINEERING ORGANIZATION SHOULD BE CONTACTED FOR THE LATEST REVISION.</small>		DWN P.Willems 10-OCT-05 CHK P.Willems 10-OCT-05 APVD J.Broeksteeg 10-OCT-05	tyco Electronics	Tyco Electronics Nederland B.V. 's-Hertogenbosch, The Netherlands
DIMENSIONS: mm	TOLERANCES UNLESS OTHERWISE SPECIFIED: 0 PLC ± 1 PLC ± 2 PLC ± 3 PLC ± 4 PLC ± ANGLES ± FINISH -	PRODUCT SPEC 108-19064 APPLICATION SPEC 114-19019 WEIGHT -	NAME MODULAR JACK, SIDE ENTRY, 6/4 FOR PRINTED CIRCUIT BOARD WITH CONTACT COVER	
MATERIAL		CUSTOMER DRAWING	SIZE A2 CAGE CODE 00779 DRAWING NO. C=215876	RESTRICTED TO -
			SCALE 4:1	SHEET 4 OF 4 REV 21