

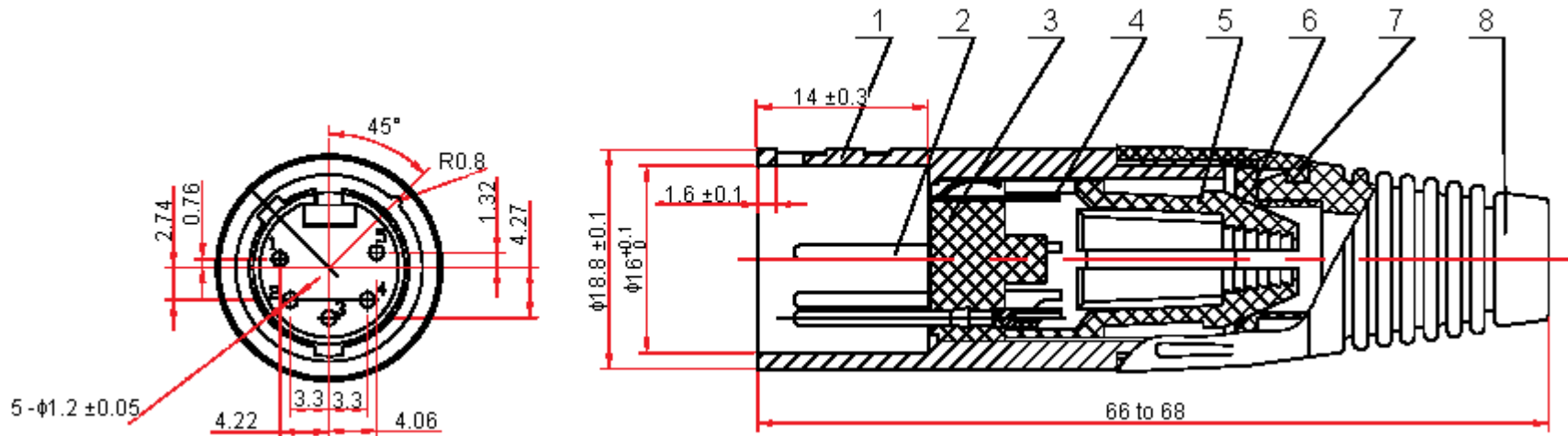


PART NO.

SVP555S-BK-5P

REVISIONS

ECN #	REV	DESCRIPTION	DRAWN	DATE	CHECKD	DATE	APPRVD	DATE
-	A	RELEASED	Geetha	10/8/09	Veena	10/8/09	Farnell	24/8/09



Dimensions: Millimetres

The pin plating silver, thickness 0.5µm (SOLDER).

Specifications

Item	Description	Material	Plating	Part Number
1	Body	ZZnA14-1	Black	SVP555S-BK-5P
2	Pin	H59-1	Silver	
3	Insulator	PBT	-	
4	Terminal	H62	Silver	
5	Chuck	PA	-	
6	T-Ring	PP	-	
7	Cap	PA	BK/RD/BL/YL/GN	
8	Boot	PVC	Black	

<http://www.farnell.com>
<http://www.newark.com>
<http://www.cpc.co.uk>

This data sheet and its contents (the "Information") belong to the Premier Farnell Group (the "Group") or are licensed to it. No licence is granted for the use of it other than for information purposes in connection with the products to which it relates. No licence of any intellectual property rights is granted. The Information is subject to change without notice and replaces all data sheets previously supplied. The Information supplied is believed to be accurate but the Group assumes no responsibility for its accuracy or completeness, any error in or omission from it or for any use made of it. Users of this data sheet should check for themselves the Information and the suitability of the products for their purpose and not make any assumptions based on information included or omitted. Liability for loss or damage resulting from any reliance on the Information or use of it (including liability resulting from negligence or where the Group was aware of the possibility of such loss or damage arising) is excluded. This will not operate to limit or restrict the Group's liability for death or personal injury resulting from its negligence. SPC MULTICOMP is the registered trademark of the Group. © Premier Farnell plc 2009.

TOLERANCES:
UNLESS OTHERWISE SPECIFIED, DIMENSIONS ARE FOR REFERENCE PURPOSES ONLY.

DRAWN BY:	DATE:
Geetha	10/08/09
CHECKED BY:	DATE:
Veena	10/08/09
APPROVED BY:	DATE:
Farnell	24/08/09

DRAWING TITLE:			
XLR Plug - 5 Way, with Strain Relief, Black			
SIZE	DWG NO.	ELECTRONIC FILE	REV
A	M10002330	1715974-TDS_DWG	A
SCALE: NTS		U.O.M.: mm	SHEET: 1 OF 1