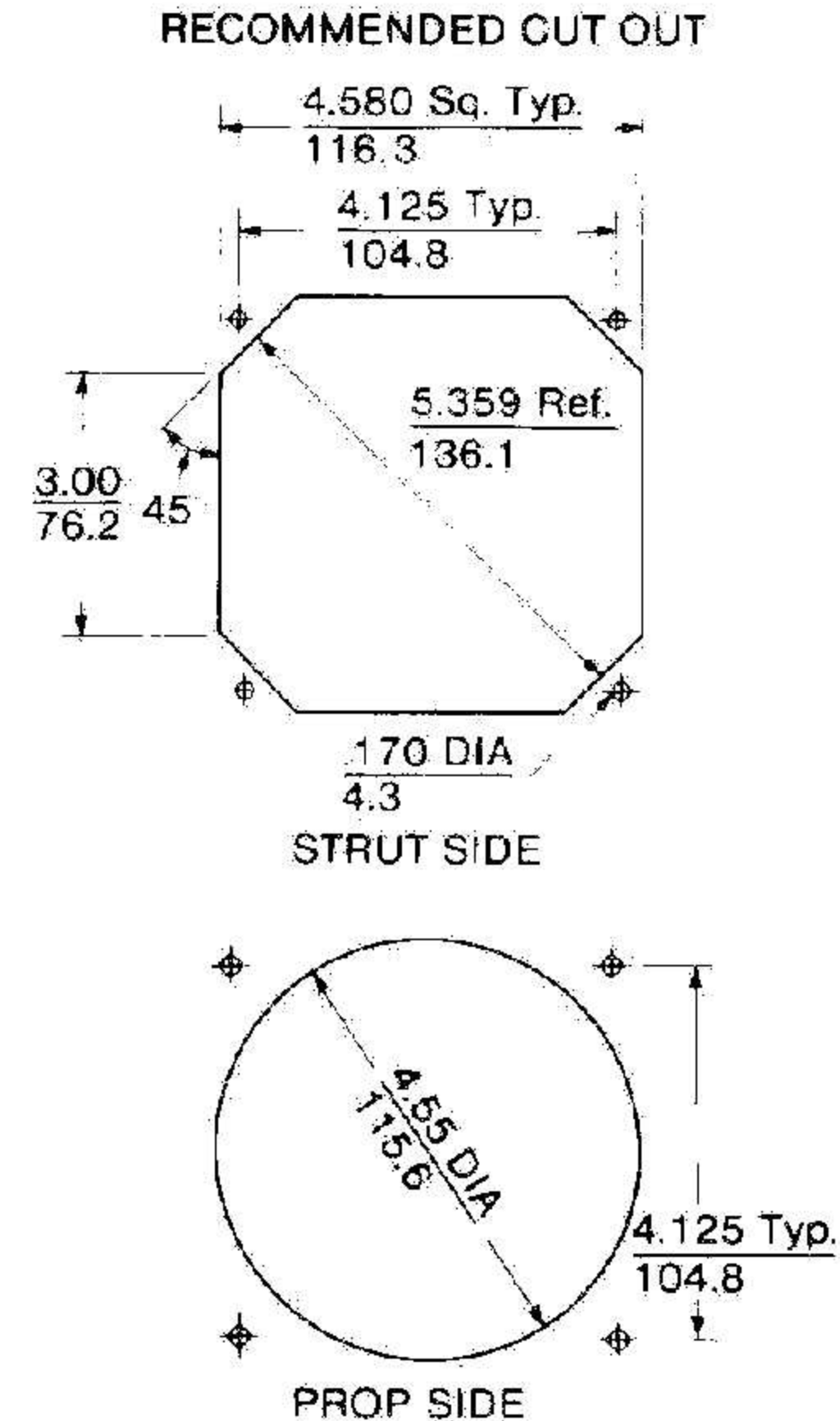
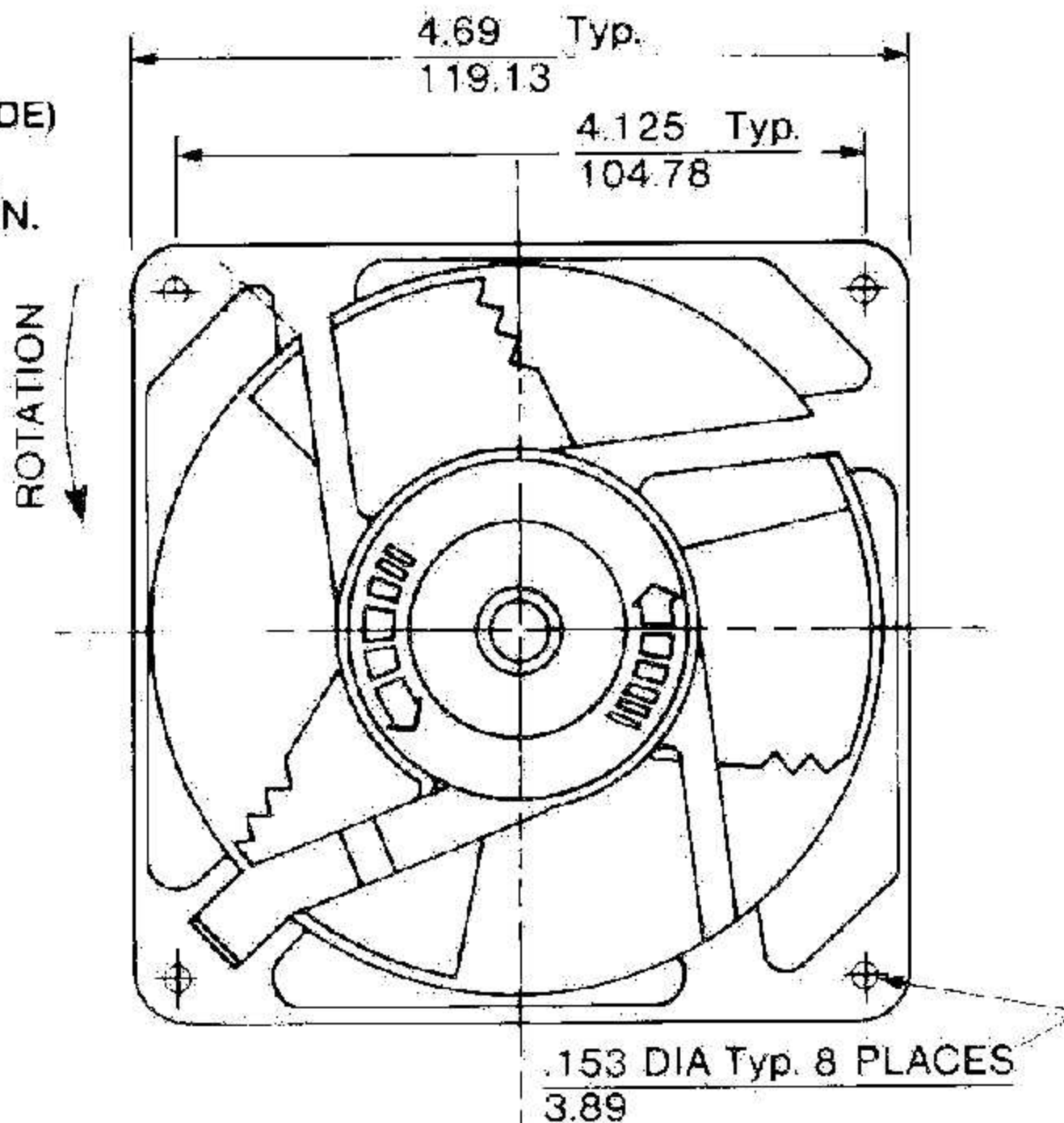
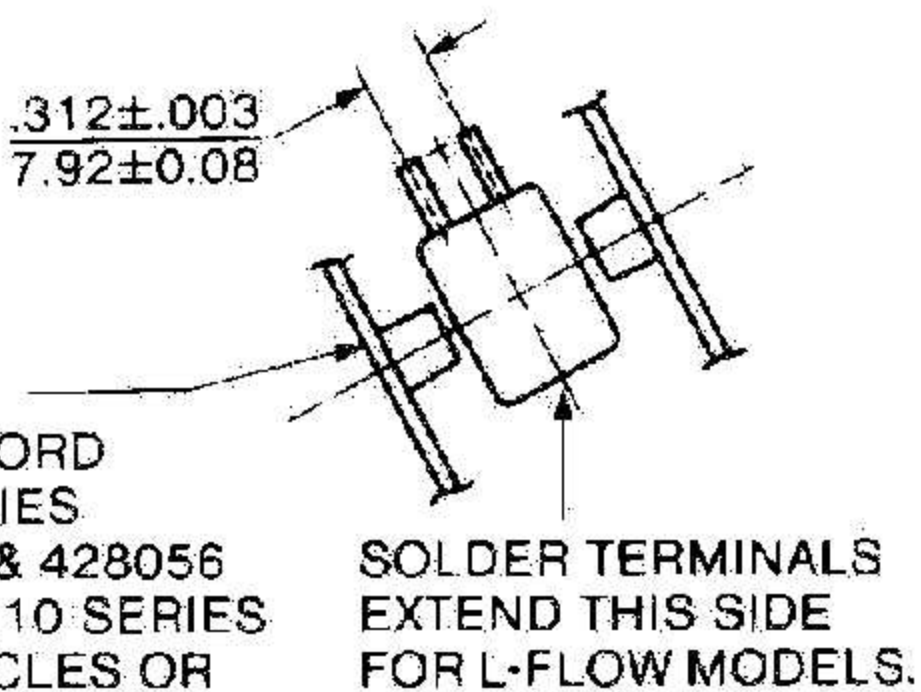


WILL ACCOMMODATE #550113
 BLIND MOUNTING CLIPS FOR USE
 WITH #6-32 MACHINE SCREW.

WILL FIT
 PLUG & CORD
 ASSEMBLIES
 #550440 & 428056
 OR AMP 110 SERIES
 RECEPTACLES OR
 EQUIVALENT



TERMINALS

.120±.002 WIDE
 3.05±0.05

.020±.001 THICK
 0.51±0.03

.300±.025 LONG
 7.62±0.64

DIMENSIONS: $\frac{\text{in}}{\text{mm}} \pm$
 TOLERANCES: .xx= $\frac{.03}{0.8}$
 .xxx=.010
 (UNLESS NOTED) .25

Specifications subject to change without notice.