

# XT

## Momentary Switches

---

### XT

Characteristics	■ 8 mm contact gap and 8 mm creepage and air-gaps between individual and accessible parts ■ Safe mechanical separation by reset springs ■ Optional insulation accessory and key for maintenance purposes
Rating	Up to 400 VAC, 16,5 A
Dimensions (mm)	30 x 32 x 12
Actuator	Shrouded plunger
Approvals	UL, cUL, CSA, ENEC



### Preferred Range

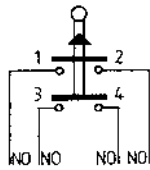
Ordering Reference	Actuating Force		Operating pos.		Terminal	Circuit	Actuator	Contacts	Electrical rating
XTD22AZ1	3,8 N	13,6 ozf	13,0 mm	0,511 in	Faston	NO	Plunger	Silver nickel	Up to 250 VAC, 15,5 A

# XT

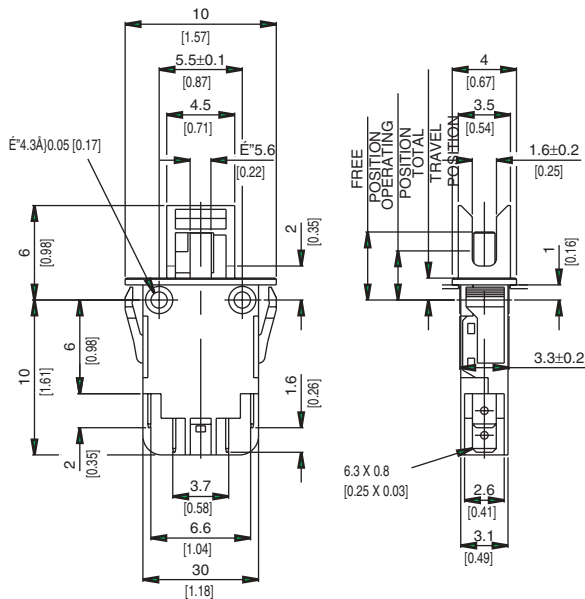
## Specifications

■ Housing	Glass fibre reinforced polyester
■ Plunger	Glass fibre reinforced polyester
■ Mechanism	Normally open
■ Contacts	Silver nickel
■ Terminals	6.3 mm (0.25 in) faston (quick connect) - brass
■ Temperature range °C	-20°C to +85°C
■ Mechanical life	10 <sup>6</sup> cycles minimum (impact free actuation)
■ Protection	IP40 (enclosure)
■ Mounting	Snap-on or screw mounting
■ Actuator	Plunger (can be held depressed for maintenance with optional key)
■ Accessories	Maintenance key N41784 and multiplug housing XTMHSG

Circuit diagram



Dimensions



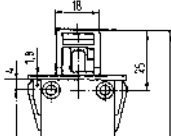
## Recommended maximum electrical ratings

Voltage (max)	Resistive load A	Inductive load	Horsepower	Approval
125 VAC	15.5 (0.75 pf)	-	-	UL 1054/CSA 22.2 No. 55 - 6,000 operations
250 VAC	15.5 (0.75 pf)	-	-	UL 1054/CSA 22.2 No. 55 - 6,000 operations
125 VAC	-	-	½ HP (0.45 pf)	UL 1054 - Horsepower- 6,000 operations
250 VAC	-	-	½ HP (0.45 pf)	UL 1054 - Horsepower- 6,000 operations
125 VAC	-	-	1½ HP (0.45 pf)	UL 1054 - Horsepower- 6,000 operations
250 VAC	-	-	1½ HP (0.45 pf)	UL 1054 - Horsepower- 6,000 operations
30 VAC	0.5	-	-	EN.60158-1 T85 (°C) 50,000 operations
400 VAC	16.5	8	-	EN.60158-1 T85 (°C) 50,000 operations
30 VDC	0.5	-	-	UL 1054/CSA 22.2 No. 55 - 6,000 operations

# XT

## Operating Characteristics

Actuator	Reference	Actuating Force Maximum		Release Force Minimum		Free Position Maximum		Operating Position		Total Travel Position Maximum		Over travel	
		N	ozf	N	ozf	mm	in	mm	in	mm	in	mm	in
Plunger	XTD22AZ1	3.8	13,600	5.8	20.8	18.0	0.708	13,0 ± 0.4	0,511 ± 0.016	10.0	0,394	3.0	0.118
		(± 0.5 N) (± 3.5 oz)						12,6		0,496		(low voltage contact)	



## Ordering Reference

Type	XT	
Actuating Characteristic	D	3.8 N
Terminals	22	6.3 mm (0.25 in) faston (quick connect) terminals
	66	4.8 mm (0.19 in) faston (quick connect) terminals
Approvals	AZ1	UL, cUL, CSA and ENEC