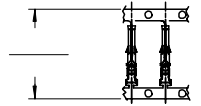
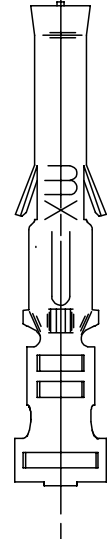
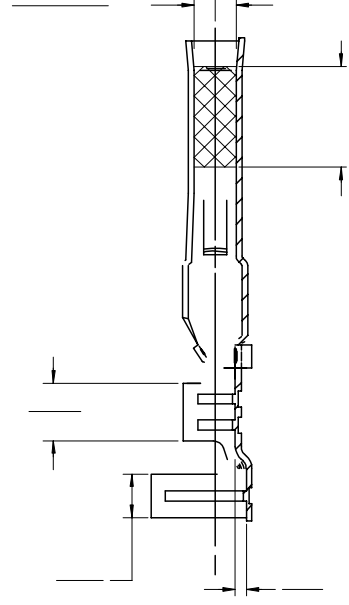
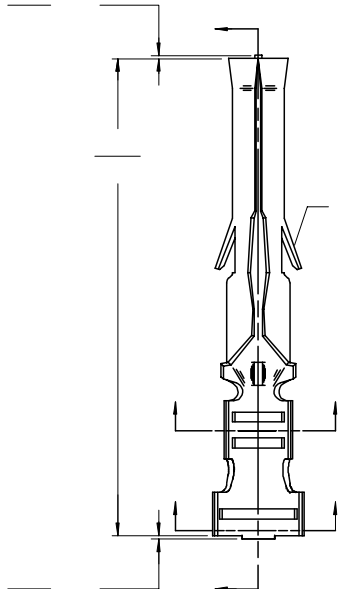
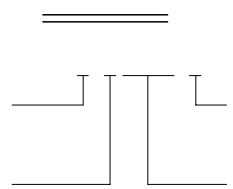
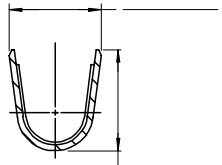
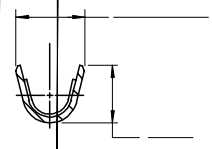
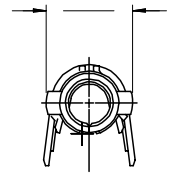
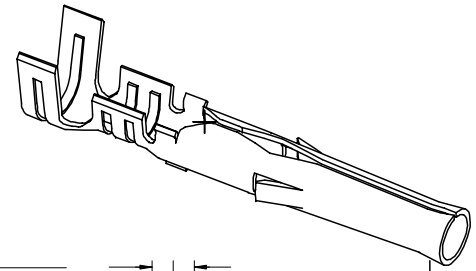


	1561-(P561)	
	1561-(P561)L	
	1561-(P228)	
	1561-(P228)L	
02-06-5100	1561-(P550)	
02-06-5101	1561-(P550)L	
02-06-5109	1561-(P591)	
02-06-5104	1561-(P591)L	
02-06-1118	1561-1(P901)	
NOT TOOLED	1561-1(P901)L	



901 HOT TIN DIP (.00051)/.000020 MIN.

(.00127)/.000050 MIN. NICKEL OVERALL.

\* THE PRIMARY SHIPPING CARTON WILL BE LABELED, "COMPLIANT TO ROHS DIRECTIVE 2004/95/EC AND ANNEX II OF DIRECTIVE 2000/53/EC", AND CARTONS WITHOUT THIS LABEL MAY CONTAIN PRODUCT WITH TIN-LEAD."

- 3. PRODUCT SPECIFICATION: PS-02-06.
- 4. PACKAGING INFORMATION: NOT AVAILABLE

A0	
AN	
AM1	
AM	