

ORDERING INFORMATION:

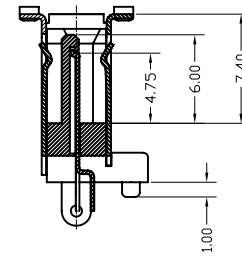
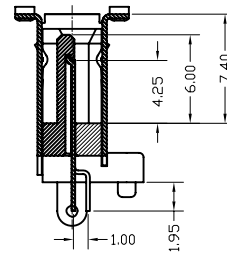
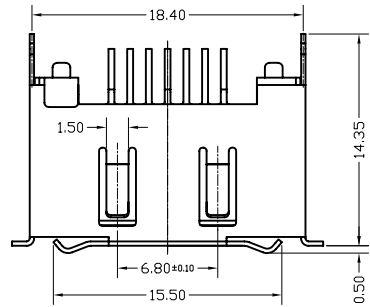
6SA T 07 MP - 3 * C B
 (1) (2) (3) (4) (5) (6) (7) (8)

- (1) SERIES NUMBER:
6SA : SERIAL ATA CONNECTOR
- (2) TAIL CONSTRUCTION TYPE
T : STRAIGHT DIP TYPE
- (3) NO. OF POSITION:
07 :7POSITIONS
- (4) CONTACT &CONNECTING TYPES:
MP : PLUG ,METAL SHELL TYPE
- (5) COLOR CODES:
3 :BLACK
N :DARK RED
- (6) PLATING OF CONTACT :
0 : GOLD FLASH OVER NICKEL
2 : 15u" GOLD OVER NICKEL
3 : 30u" GOLD OVER NICKEL
- (7) TAIL LENGTH :
C : SOLDER TAIL LENGTH=1.95mm
- (8) SUFFIX NO1 :
B : WITHOUT LOGO

NOTE:

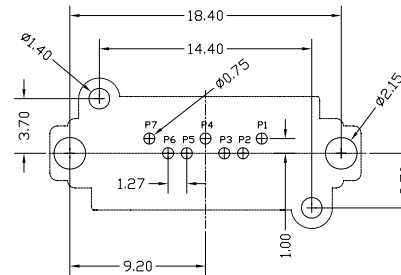
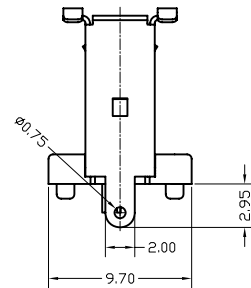
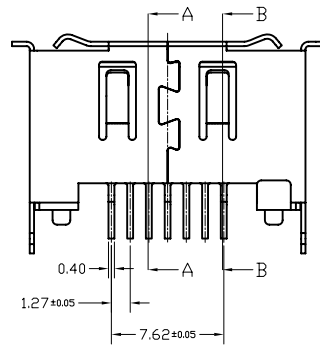
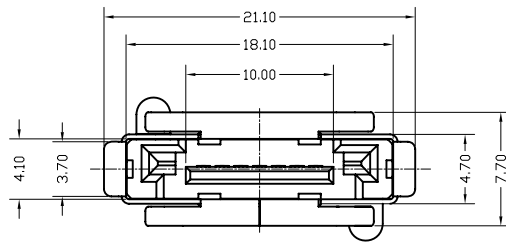
- 1.MATERIAL:
HOUSING:HIGH TEMPERATURE THERMOPLASTIC,UL94V-0
CONTACT:BRASS,GOLD PLATING OVER NICKELON CONTACT AREA,TIN PLATING ON SOLDER AREA
SHELL:BRASS,NICKEL PLATED
- 2.MECHANICAL:
INSERTION FORCE: 4.5Kgf Max.
WITHDRAWAL FORCE: 1Kgf Min.
DURABILITY: 2500 CYCLES
- 3.ELECTRICAL SPECIFICATION:
OPERATION VOLTAGE: 100V AC Max.
CURRENT RATING: 1.5A PER CONTACT
CONTACT RESISTANCE: 45m ohm Max.
AFTER PHYSICAL AND ENVIRONMENTAL TESTING.
INSULATION RESISTANCE: 1000M OHM Min.
DIELECTRIC WITHSTANDING VOLTAGE: 500V AC
- 4.ENVIRONMENTAL:
OPERATION TEMPERATURE: -25°C~+85°C

RoHS Compliant

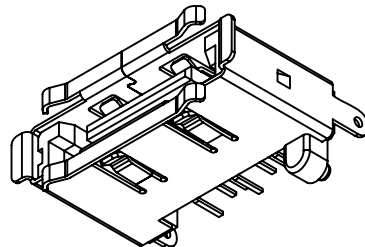
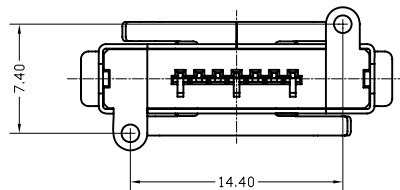


SECTION A-A

SECTION B-B



RECOMMENDED PC BOARD LAYOUT



PART NO.

MATERIAL	TOLERANCE UNSPECIFIED				
	.0 0 0 ± 0.20				
FINISH	.0 0 ± 0.25	SCALE 1:1	UNIT MM		
	.0 ± 0.38				
	ANGLE ± 2°	NAME SATA II 7PIN PLUG STRAIGHT DIP TYPE (METAL SHELL TYPE)	SHEET 1/1		
	Draw MWLin 10/19 04'				
	Designer			Drawing No. R-S16SA-43	REV. 1.0
	Checked Peterhu				
Approved John					