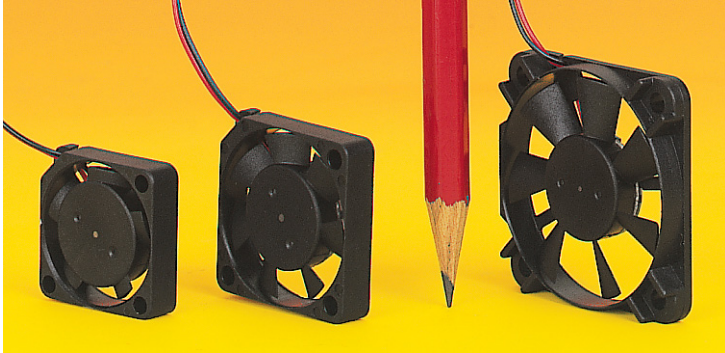


Micro Slim-6mm Deep and Standard Axial Flow Fans - Low Voltage dc



Micro Slim - 6mm Deep



Features:

- 25, 30 and 40mm micro slim fans.
- Ideal for precision cooling or compact equipment.
- Patented single coil brushless 8 pole motor.
- Locked rotor protection.
- Precision ball bearings.

Standard



Features:

- Low cost, low noise, brushless DC fans.
- Housing and impeller made from UL94V-0 thermoplastic.
- Fitted with ball bearings and 300mm, 22 AWG lead wire.

Specifications:

Motor	: Patented brushless DC motor design.
Frame	: Injection moulded non-flammable black thermoplastic.
Impeller	: Injection moulded non-flammable black thermoplastic.
Bearing	: Precision, life-lubricated ball bearings system.
Insulation	: Class E integral ground system rated at 100°C.
Insulation resistance	: More than 500M Ohm between internal stator and leadwire (+) measured by 500V dc.
Dielectric strength	: 600V ac for one minute.
Safety protection	: Electronic locked rotor protection.
Operating temperature	: -10°C to +70°C.
Storage temperature	: -40°C to +80°C.

Operating voltage

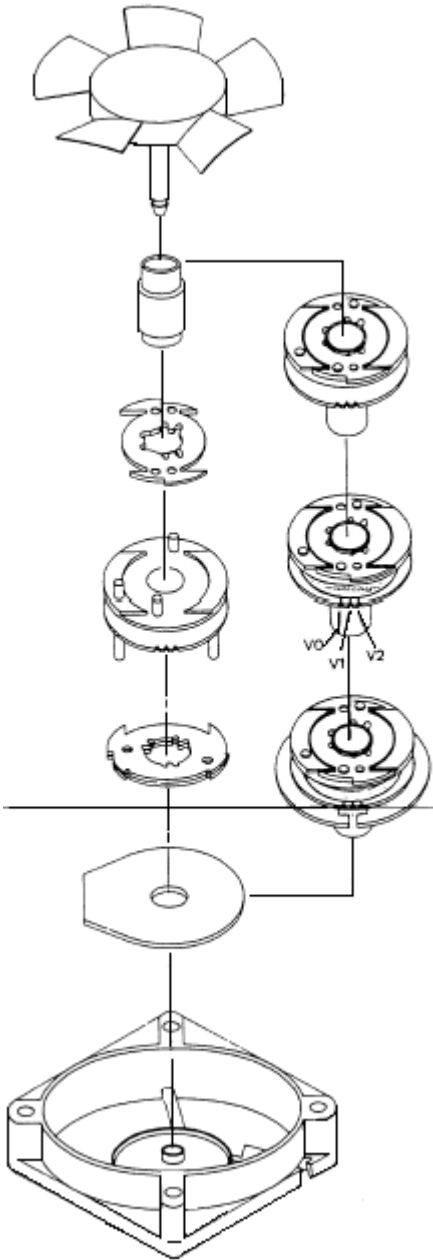
Standard	: 12V and 24V.
Micro slim	: 5V dc.

Operating life

Standard	: >50,000 hours at 40°C.
Micro slim	: 50,000 hours.
AWG for standard	: 22 AWG.



Micro Slim-6mm Deep and Standard Axial Flow Fans - Low Voltage dc



The Advantages of Patented Motor Design:

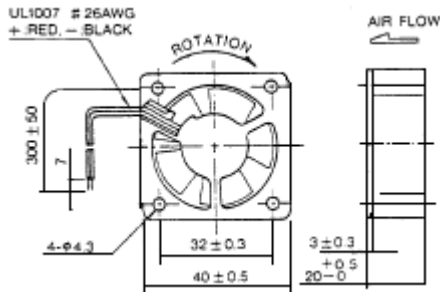
1. Allows creation of the smallest and thinnest brushless DC Fan Motor in the world.
2. The bobbin design protects the winding coils from abrasion and damage during assembly.
3. Ease of manufacture and assembly providing low cost and high reliability.
4. Superior dielectric strength due to the unique wound bobbin construction of the Multicomp design.
5. Increased performance to size ratio due to smaller hub design which allows for larger fan blades.
6. Increased torque through more poles to reduce the power consumption of fan motor.
Example: Dual poles can be augmented into four, six and eight poles respectively.
7. The notches in the bobbin separate the 3 coil wires which adjoin v0, v1 and v2 to the circuit board provided the protection from a short circuit design.
8. Ideal for precision cooling or compact equipment.

Micro Slim-6mm Deep and Standard Axial Flow Fans - Low Voltage dc



Product Guide

Dimensions:

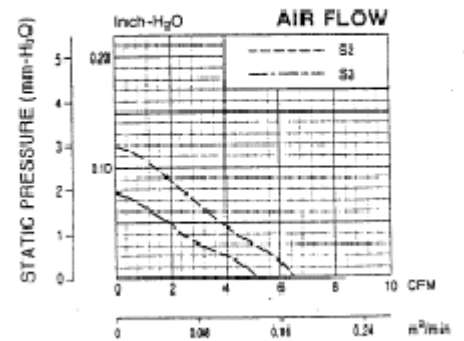


40 x 40 x 20mm

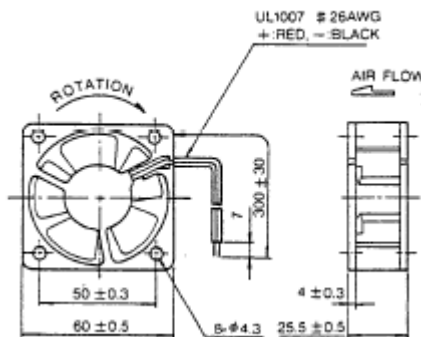
- 5.2 to 7.0 CFM.
- 5 and 12V dc (nominal).
- Patented single-coil brushless 4 poles DC motor design.
- Locked rotor protection.
- Low power consumption.
- Polarity protected.
- Precision ball bearing system.
- 26 AWG lead wire.
- "+" Red and "-" Black.

Performance

○ : 5V/12V



Dimensions:

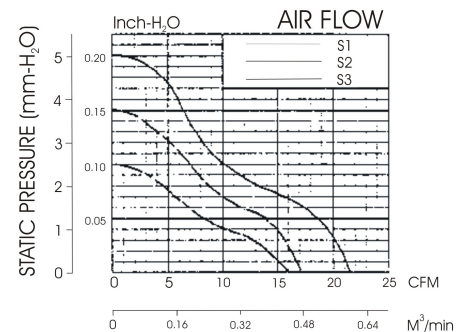


60 x 60 x 25mm

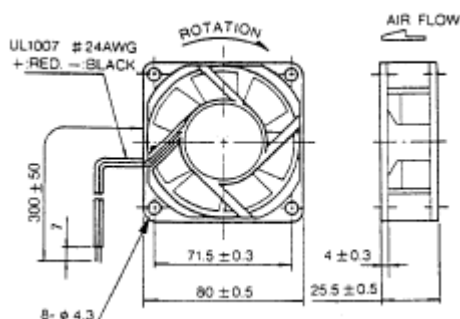
- 15.9 to 22.1 CFM.
- 12 and 24V dc (nominal).
- Patented single-coil brushless 4 poles DC motor design.
- Locked rotor protection.
- Polarity protected.
- Precision ball bearing system.
- 26 AWG lead wire.
- "+" Red and "-" Black.

Performance

○ : 12V/24V



Dimensions:

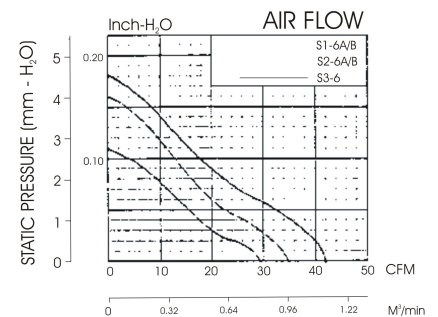


80 x 80 x 25mm

- 29.4 to 42.5 CFM.
- 12 and 24V dc (nominal).
- Patented single-coil brushless DC motor design.
- Available with 4 poles or 6 poles motor.
- Locked rotor protection.
- Polarity protected.
- Precision ball bearing system.
- 24 AWG lead wire.
- "+" Red and "-" Black.

Performance

○ : 12V/24V



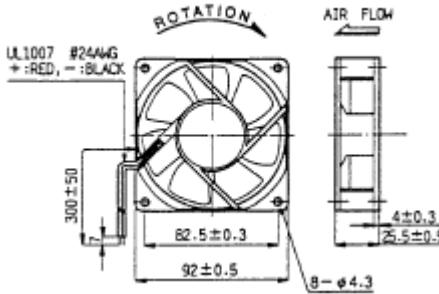
Micro Slim-6mm Deep and Standard Axial Flow Fans - Low Voltage dc



Dimensions:

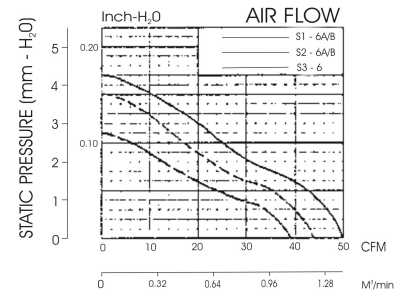
92 x 92 x 25mm

Performance



- 39 to 51 CFM.
- 12 and 24V dc (nominal).
- Patented single-coil brushless DC motor design.
- Locked rotor protection.
- Available with 4 poles or 6 poles motor.
- Polarity protected.
- Precision ball bearing system.
- 24 AWG lead wire.
- "+" Red and "-" Black.

○ : 12V/24V



Specification Table - Standard

Height	Width	Depth	Voltage (V dc)	Input Power (Watts)	Air Flow		Noise (dBA at 1m)	Cut-out Diameter	Fix centres	Fix Centres Diameter	Part Number*
					cu ft/min	ltrs/sec					
40		20	12	1.00	7.3	3.4	26	38	32.0 x 32.0		MCKDE1204PKB1
			24	0.96	6.2	2.9	25				MVKDE2404PKB2
60			12	1.40	18.0	8.4	31	58	50.0 x 50.0		MCKDE1206PTB2
			24	1.90							MCKDE2406PTB2
80			12	2.00	35.0	16.5	32.5	77	71.5 x 71.5		MCKDE1208PTB2-6
			24	3.12							32.0
92		25	12	2.10	45.0	21.2	34	89	82.5 x 82.5	4.3	MCKDE1209PTB2-6
			24	2.90							MCKDE2409PTB2-6
119			12	3.60	80.0	37.7	41	116	104.8 x 104.8		MCKDE1212PTB2-6
			24	4.80							42
		38	12	6.80	108.0	50.9	36	MCKDE1212PMB1-6A			
			24	5.50	98.0	46.2		MCKDE2412PMB2-6A			

*Suffix with '-6' : Motor with six poles.

Suffix with '-6A' : Motor with six poles protected by IC.

Dimensions : Millimetres (Unless specified)



Micro Slim-6mm Deep and Standard Axial Flow Fans - Low Voltage dc



Specification Table - Micro Slim

Height	Width	Depth	Type	Power Watts	Airflow		Noise (dBA at 1m)	Voltage (V dc)	Part Number*
					cu ft/min	ltrs/sec			
25	6	6	Standard, 25mm	0.60	1.60	0.76	29	5	KDE502PEB1-8
			Low noise, 25mm	0.40	1.20	0.57	21		KD0502PEB2-8
			Super low noise, 25mm	0.25	0.75	0.35	11		KD0502PEB3-8
30			Standard, 30mm	0.65	3.00	1.43	25		KD0503PEB1-8
			Low noise, 30mm	0.45	2.40	1.15	20		KD0503PEB2-8
			Super low noise, 30mm	0.28	1.90	0.90	13		KD0503PEB3-8
40			Standard, 40mm	0.70	5.50	2.60	26		KD0504PEB1-8
			Low noise, 40mm	0.50	4.35	2.07	22		KD0504PEB2-8
			Super low noise, 40mm	0.30	3.5	1.66	16		KD0504PEB3-8

Dimensions : Millimetres (Unless specified)

*Suffix with '-8' : Motor with eight poles.

Micro Slim-6mm Deep and Standard Axial Flow Fans - Low Voltage dc



Notes:

International Sales Offices:



AUSTRALIA - Farnell InOne
Tel No: ++ 61 2 9645 8888
Fax No: ++ 61 2 9644 7898



FINLAND - Farnell InOne
Tel No: ++ 358 9 560 7780
Fax No: ++ 358 9 345 5411



NETHERLANDS - Farnell InOne
Tel No: ++ 31 30 241 7373
Fax No: ++ 31 30 241 7333



SWITZERLAND - Farnell InOne
Tel No: ++ 41 1 204 64 64
Fax No: ++ 41 1 204 64 54



AUSTRIA - Farnell InOne
Tel No: ++ 43 662 2180 680
Fax No: ++ 43 662 2180 670



FRANCE - Farnell InOne
Tel No: ++ 33 474 68 99 99
Fax No: ++ 33 474 68 99 90



NEW ZEALAND - Farnell InOne
Tel No: ++ 64 9 357 0646
Fax No: ++ 64 9 357 0656



UK - Farnell InOne
Tel No: ++ 44 8701 200 200
Fax No: ++ 44 8701 200 201



BELGIUM - Farnell InOne
Tel No: ++ 32 3 475 2810
Fax No: ++ 32 3 227 3648



GERMANY - Farnell InOne
Tel No: ++ 49 89 61 39 39 39
Fax No: ++ 49 89 613 59 01



NORWAY - Farnell InOne
Tel No: ++ 45 44 53 66 66
Fax No: ++ 45 44 53 66 02



UK - BuckHickman InOne
++ 44 8450 510 150
++ 44 8450 510 130



BRAZIL - Farnell-Newark InOne
Tel No: ++ 55 11 4066 9400
Fax No: ++ 55 11 4066 9410



HONG KONG - Farnell-Newark InOne
Tel No: ++ 852 2268 9888
Fax No: ++ 852 2268 9899



PORTUGAL - Farnell InOne
Tel No: ++ 34 93 475 8804
Fax No: ++ 34 93 474 5288



UK - CPC
++ 44 8701 202 530
++ 44 8701 202 531



CHINA - Farnell-Newark InOne
Tel No: ++86 10 6238 5152
Fax No: ++86 10 6238 5022



IRELAND - Farnell InOne
Tel No: ++ 353 1 830 9277
Fax No: ++ 353 1 830 9016



SINGAPORE - Farnell-Newark InOne
Tel No: ++ 65 6788 0200
Fax No: ++ 65 6788 0300



EXPORT - Farnell InOne
Tel No: ++ 44 8701 200 208
Fax No: ++ 44 8701 200 209

For enquiries from all other markets



DENMARK - Farnell InOne
Tel No: ++ 45 44 53 66 44
Fax No: ++ 45 44 53 66 06



ITALY - Farnell InOne
Tel No: ++ 39 02 93 995 200
Fax No: ++ 39 02 93 995 300



SPAIN - Farnell InOne
Tel No: ++ 34 93 475 8805
Fax No: ++ 34 93 474 5107



ESTONIA - Farnell InOne
Tel No: ++ 358 9 560 7780
Fax No: ++ 358 9 345 5411



MALAYSIA - Farnell-Newark InOne
Tel No: ++ 60 3 7873 8000
Fax No: ++ 60 3 7873 7000



SWEDEN - Farnell InOne
Tel No: ++ 46 8 730 50 00
Fax No: ++ 46 8 83 52 62

<http://www.farnellinone.com>

<http://www.buckhickmaninone.com>

<http://www.cpc.co.uk>

Disclaimer This data sheet and its contents (the "Information") belong to the Premier Farnell Group (the "Group") or are licensed to it. No licence is granted for the use of it other than for information purposes in connection with the products to which it relates. No licence of any intellectual property rights is granted. The Information is subject to change without notice and replaces all data sheets previously supplied. The Information supplied is believed to be accurate but the Group assumes no responsibility for its accuracy or completeness, any error in or omission from it or for any use made of it. Users of this data sheet should check for themselves the Information and the suitability of the products for their purpose and not make any assumptions based on information included or omitted. Liability for loss or damage resulting from any reliance on the Information or use of it (including liability resulting from negligence or where the Group was aware of the possibility of such loss or damage arising) is excluded. This will not operate to limit or restrict the Group's liability for death or personal injury resulting from its negligence. Multicomp is the registered trademark of the Group. © Premier Farnell plc 2004.

