

# Customer Information Sheet

DRAWING No.: D0XXX-01

SHEET 2 OF 2

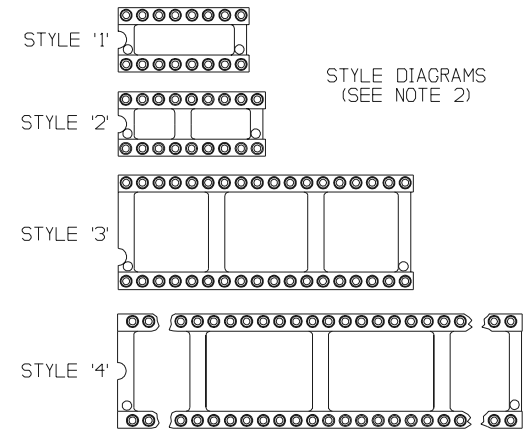
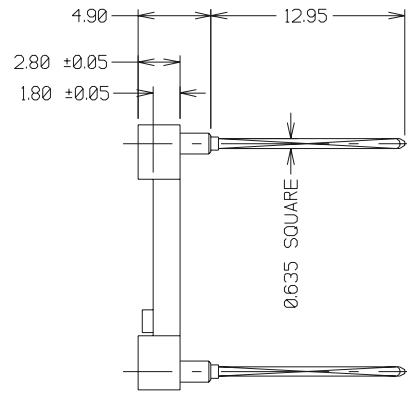
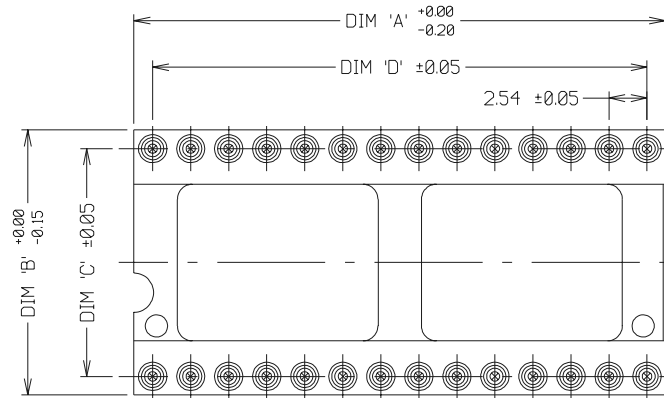
IF IN DOUBT - ASK

©

NOT TO SCALE

THIRD ANGLE PROJECTION

ALL DIMENSIONS IN mm



**SPECIFICATIONS:**

**MATERIAL:**  
 MOULDING = GLASS-FILLED POLYESTER UL94V-0, BLACK  
 CONTACT SHELL = BRASS  
 CONTACT CLIP = BERYLLIUM COPPER

**FINISH:**  
 CONTACT SHELL = 5µ 90/10 TIN/LEAD OVER NICKEL  
 CONTACT CLIP = 0.25µ GOLD OVER NICKEL

**ELECTRICAL:**  
 CURRENT RATING = 1 AMP  
 VOLTAGE RATING = 100V AC / 150V DC  
 CONTACT RESISTANCE = 10 MILLIOHMS MAX  
 INSULATION RESISTANCE = 10,000 MEGOHMS MIN  
 DIELECTRIC STRENGTH = 1,000V AC MIN

**MECHANICAL:**  
 DURABILITY = 100 CYCLES  
 INSERTION FORCE (Ø0.43mm GAUGE) = 3.0N MAX  
 WITHDRAWAL FORCE (Ø0.43mm GAUGE) = 0.5N MIN

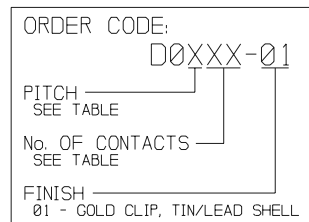
**ENVIRONMENTAL:**  
 TEMPERATURE RANGE = -55°C TO +125°C  
 FOR COMPLETE SPECIFICATION, SEE COMPONENT SPECIFICATION C004XX (LATEST ISSUE)

**NOTES:**

1. RECOMMENDED HOLE SIZE = Ø1.00mm.
2. STYLE REFERS TO NUMBER OF CENTRE BARS ONLY.

PART No.	No. OF WAYS	STYLE (SEE NOTE 2)	DIM 'A'	DIM 'B'	DIM 'C'	DIM 'D'
D0806-01	6	1	7.60	10.02	7.62	5.08
D0808-01	8	1	10.10	10.02	7.62	7.62
D0814-01	14	1	17.70	10.02	7.62	15.24
D0816-01	16	1	20.30	10.02	7.62	17.78
D0818-01	18	2	22.80	10.02	7.62	20.32
D0820-01	20	2	25.30	10.02	7.62	22.86
D0822-01	22	2	27.80	12.60	10.16	25.40
D0922-01	22	2	27.80	10.02	7.62	25.40
D0724-01	24	2	30.40	12.60	10.16	27.94
D0824-01	24	2	30.40	17.64	15.24	27.94
D0924-01	24	2	30.40	10.02	7.62	27.94
D0828-01	28	2	35.50	17.64	15.24	33.02
D0832-01	32	2	40.60	17.64	15.24	38.10
D0836-01	36	3	45.70	17.64	15.24	43.18
D0840-01	40	3	50.80	17.64	15.24	48.26
D0948-01	48	3	60.90	17.64	15.24	58.42
D0864-01	64	4	25.40	25.40	22.86	78.74

7	29.01.01	5728
ISS.	DATE	C/NOTE
APPROVED:		
CHECKED:		
DRAWN W. J. BOURNE		
CUSTOMER REF.:		
ASSEMBLY DRG:		



**HARWIN**

HARWIN INC U.S.A. TEL: (812) 285 0055 FAX: (812) 285 0056	HARWIN PLC U.K. TEL: 023 9237 0451 FAX: 023 9231 4590	HARWIN PTE SINGAPORE TEL: 65 7794909 FAX: 65 7793868
--	--	---

THIS DRAWING AND ANY INFORMATION OR DESCRIPTIVE MATTER SET OUT HEREON ARE CONFIDENTIAL AND COPYRIGHT PROPERTY OF THE HARWIN GROUP AND MUST NOT BE DISCLOSED, LOANED, COPIED OR USED FOR MANUFACTURING, TENDERING OR FOR ANY OTHER PURPOSE WITHOUT THEIR WRITTEN PERMISSION

**TOLERANCES**  
 X. = ±1mm  
 X.X = ±0.25mm  
 X.XX = ±0.10mm  
 X.XXX = ±0.01mm  
 ANGLES = ±1°  
 UNLESS STATED

**MATERIAL:** SEE ABOVE  
**FINISH:** SEE ABOVE  
**S/AREA:** mm<sup>2</sup>

**TITLE:** IC SOCKET WIRE WRAP ASSEMBLY (3-LEVEL)  
**DRAWING NUMBER:** D0XXX-01  
**SHT** 2 **OF** 2