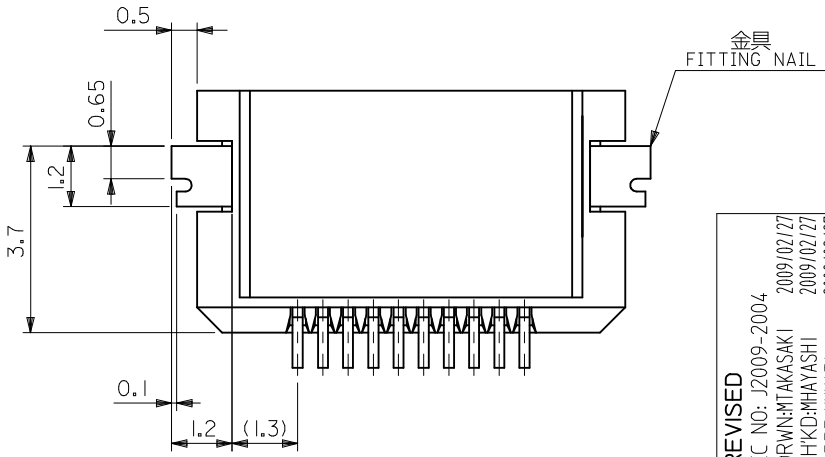
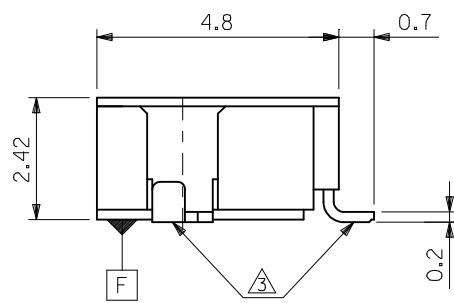
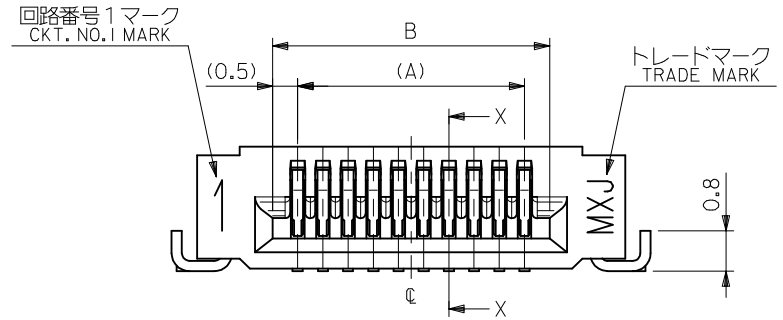


SECT. X-X

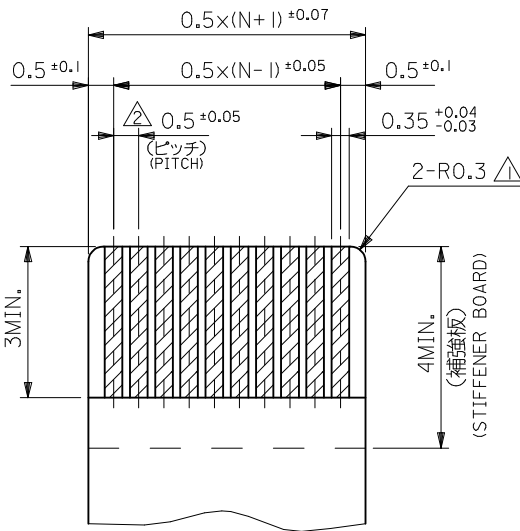


注記 NOTES

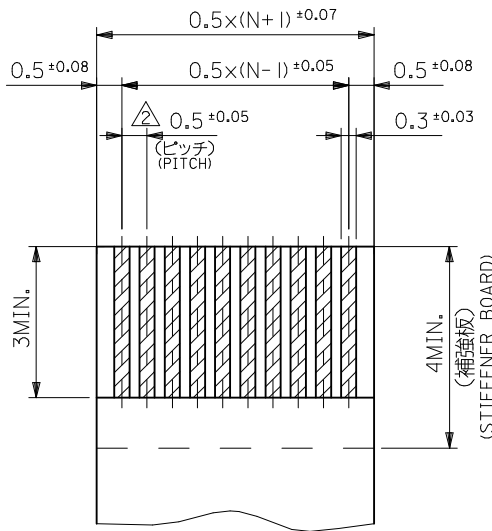
- 材質 MATERIAL
 ハウジング: PPHS, UL94V-0
 HOUSING: PPHS, UL94V-0
 ターミナル: リン青銅 (t=0.2)、
 ニッケル下地、金メッキ (接点部) 錫メッキ (テール部)
 TERMINAL: PHOS-BRO.(t=0.2),
 GOLD (CONTACT) TIN (TAIL) OVER NICKEL PLATING
 金具: リン青銅 (t=0.2)、ニッケル下地 錫メッキ
 FITTING NAIL: PHOS-BRO.(t=0.2), TIN OVER NICKEL PLATING
- 偶数極に適用。
 APPLY FOR EVEN CIRCUIT.
- ソルダーテール半田付け面及び金具半田付け面のスレ量は、
 基準面 F に対し、上方向 0.1 MAX.
 下方向 0.15 MAX. とする。
 MISALIGNMENT OF SOLDER TAILS AND FITTING NAILS
 FROM F: UPPER DIRECTION 0.1 MAX.
 : LOWER DIRECTION 0.15 MAX.
- 本製品は 52975-**40 の鉛フリー (部分金メッキ) 品である。
 THIS PRODUCT IS LEAD FREE OF 52975-**40 (CONTACT GOLD PLATING).
- ソルダーテールの平坦度は 0.1 MAXIMUM とする。
 SOLDER TAIL COPLANARITY IS 0.1 MAXIMUM.

16.5	13.5	12.5	52975-2663	52975-2645	26
15.5	12.5	11.5	-2463	-2445	24
14.0	11.0	10.0	-2163	-2145	21
13.0	10.0	9.0	-1963	-1945	19
12.5	9.5	8.5	-1863	-1845	18
12.0	9.0	8.0	-1763	-1745	17
11.5	8.5	7.5	-1663	-1645	16
11.0	8.0	7.0	-1563	-1545	15
10.0	7.0	6.0	-1363	-1345	13
9.5	6.5	5.5	-1263	-1245	12
9.0	6.0	5.0	-1163	-1145	11
8.5	5.5	4.5	-1063	-1045	10
8.0	5.0	4.0	-0963	-0945	9
7.5	4.5	3.5	-0863	-0863	8
7.0	4.0	3.0	-0763	-0745	7
6.5	3.5	2.5	52975-0663	52975-0645	6

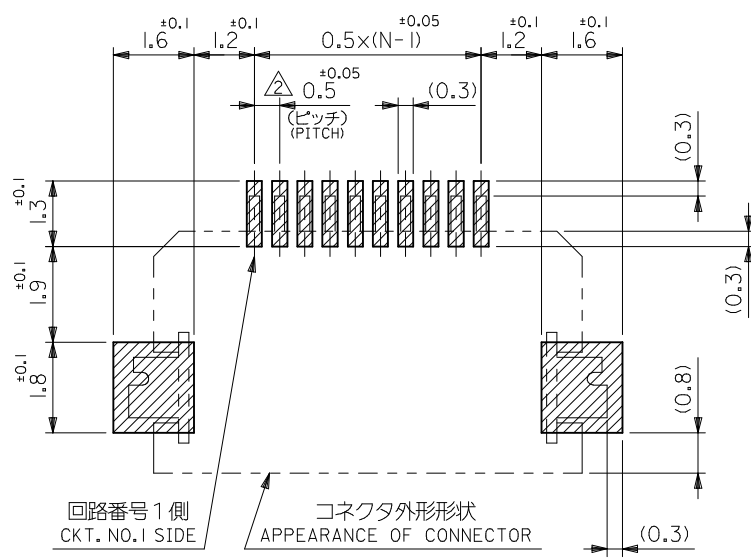
REVISED		EC NO: J2009-2004		2009/02/27		2009/02/27		2009/02/27		2009/02/27	
DRWN:MTAKASAKI		CHKD:MHAYASHI		APPR:NUKITA		DESCRIPTION		GENERAL TOLERANCES (UNLESS SPECIFIED)		DIMENSION STYLE	
10 UNDER		±0.2		10 OVER 30 UNDER		±0.25		30 OVER		±0.3	
ANGULAR		±3 °		DRAFT WHERE APPLICABLE		MUST REMAIN WITHIN DIMENSIONS		SCALE		DESIGN UNITS	
DRAWN BY		DATE		TITILE		THIRD ANGLE PROJECTION		52975-**45		MODEL NO.	
MNABEI		'04/08/16		0.5 FFC/FPC CONN NON-ZIF HOUSING ASSY(UPPER CONT) -LEAD FREE-		MM ONLY		C		B	
CHECKED BY		DATE		MOLEX INCORPORATED		SCALE ---		EMBOSSED TAPE		ORDER No. オーダー番号	
KTOJO		'04/08/16		SD-52975-017		METRIC		MATERIAL NO.		極数 NO. OF CKT.	
APPROVED BY		DATE		SEE TABLE		DOCUMENT NO.		SHEET NO.		1 OF 2	
NUKITA		'04/08/16		THIS DRAWING CONTAINS INFORMATION THAT IS PROPRIETARY TO MOLEX INCORPORATED AND SHOULD NOT BE USED WITHOUT WRITTEN PERMISSION		SD-52975-017		EN-02JA(021)			
MATERIAL NO.		SIZE		A3							



適合FPC推奨寸法
APPLICABLE FPC
RECOMMENDED DIMENSION
(仕上がり厚さ : 0.3±0.03)
(THICKNESS : 0.3±0.03)



適合FFC推奨寸法
APPLICABLE FFC
RECOMMENDED DIMENSION
(仕上がり厚さ : 0.3±0.03)
(THICKNESS : 0.3±0.03)



参考基板レイアウト
REFERENCE P.C.BOARD
PATTERN DIMENSION
(マウント面)
(MOUNTING SIDE)

注記 NOTES

- △ R0.3 は、FPCの導体部にかからないこと。
R0.3 MUST NOT BE OVERLAPPED TO PATTERN OF FPC.
- △ 公差非累積のこと。
NON-ACCUMULATIVE.

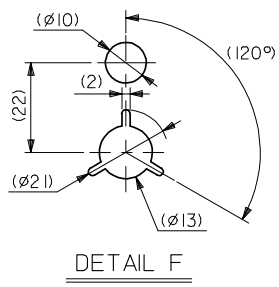
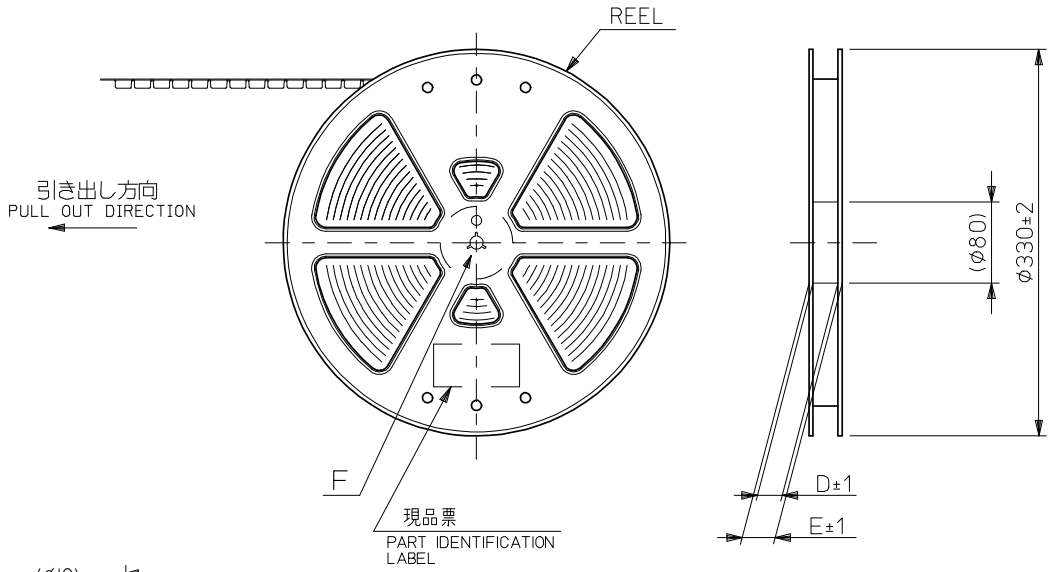
3 FPCについて:

打抜き方向は導体側から補強板を推奨致します。
補強フィルム材質はポリイミドを推奨致します。
接着剤は熱硬化接着剤を推奨致します。

ABOUT FPC:
RECOMMENDED PUNCHER DIRECTION : FROM CONDUCTOR SIDE TO STIFFENER BOARD SIDE.
RECOMMENDED MATERIAL :
STIFFENER FILM : POLYIMIDE
BONDING AGENT : THERMOSETTING BONDING AGENT

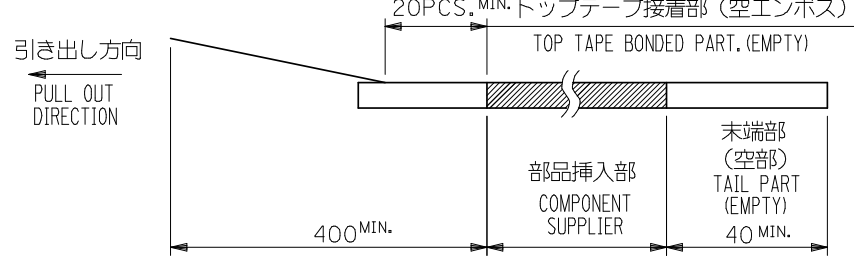
REVISED		EC NO: J2009-2004		GENERAL TOLERANCES (UNLESS SPECIFIED)		DIMENSION STYLE		SCALE		DESIGN UNITS		52975-***45		MODEL NO.		
REV	DESCRIPTION	10 UNDER	±0.2	10 OVER 30 UNDER	±0.25	MM ONLY		---		METRIC		THIRD ANGLE PROJECTION		TITLE 0.5 FFC/FPC CONN NON-ZIF HOUSING ASSY(UPPER CONT) -LEAD FREE-		
		30 OVER	±0.3	ANGULAR ±3 °		DRAWN BY		DATE		TITLE						
		DRAFT WHERE APPLICABLE MUST REMAIN WITHIN DIMENSIONS			MATERIAL NO.		MNABEI		'04/08/16		MOLEX INCORPORATED		DOCUMENT NO.		SHEET NO.	
						SEE SHEET 1		KTOJO		'04/08/16		SD-52975-017		2 OF 2		
		SIZE A3 THIS DRAWING CONTAINS INFORMATION THAT IS PROPRIETARY TO MOLEX INCORPORATED AND SHOULD NOT BE USED WITHOUT WRITTEN PERMISSION														

F

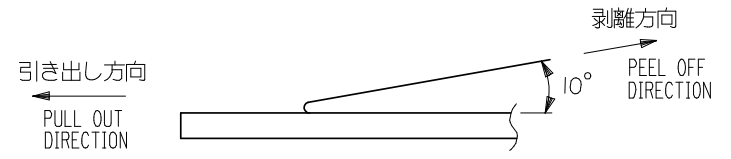


NOTES

1. 梱包数量：1000個/リール
NUMBER OF CONNECTORS : 1000PCS/REEL
2. リードテープ長さ LEAD TAPE LENGTH
20PCS. MIN. トップテープ接着部 (空エンボス)
TOP TAPE BONDED PART. (EMPTY)



3. トップテープの剥離強度：0.1N ~ 1.3N(10gf ~ 130gf)
(剥離方向は下図参照)
尚、本規格値は出荷時に適用。(但し、輸送時に剥離が発生しないこと。)
PEELING OFF FORCE OF TOP TAPE : 0.1N ~ 1.3N(10gf ~ 130gf)
(PEELING DIRECTION AS SHOWN IN FOLLOWING FIG.)
THIS REQUIREMENT SHOULD BE APPLIED AT SHIPMENT.
PEEL OFF SHOULD NOT BE ALLOWED , DURING TRANSPORTATION.



4. 材料 (MATERIAL)
キャリアテープ (CARRIER TAPE) : ポリプロピレン (POLYPROPYLENE)
トップテープ (TOPTAPE) : PET , PE , PEF
リール (REEL) : ポリスチレン (PS) <リサイクル材を含む>
POLYSTYRENE (PS) <RECYCLE MATERIAL CONTAINED>

5. 本製品は 52975-***92 の鉛フリー (部分金メッキ) 品である。
THIS PRODUCT IS LEAD FREE OF 52975-***92
(CONTACT GOLD PLATING).

52975-***63 MODEL NO.

REVISED EC NO: J2009-0003 DRWN:MNABEI 2008/07/08 CHKD:THARUYAMA 2008/07/09 APPR:NUKITA 2008/07/09	GENERAL TOLERANCES (UNLESS SPECIFIED)		DIMENSION STYLE MM ONLY		SCALE ---	DESIGN UNITS METRIC	THIRD ANGLE PROJECTION
	10 UNDER	±0.2	DRAWN BY MNABEI	DATE '04/08/16	TITLE 0.5 FFC/FPC CONN NON-ZIF HSG ASSY UPPER CONTACT -LEAD FREE-		
	10 OVER 30 UNDER	±0.25	CHECKED BY KTOJO	DATE '04/08/16			
	30 OVER	±0.3	APPROVED BY NUKITA	DATE '04/08/16	MOLEX MOLEX INCORPORATED		
	ANGULAR	±3 °	MATERIAL NO. SEE SHEET 2		DOCUMENT NO. SD-52975-018		SHEET NO. 1 OF 2
	DRAFT WHERE APPLICABLE MUST REMAIN WITHIN DIMENSIONS		THIS DRAWING CONTAINS INFORMATION THAT IS PROPRIETARY TO MOLEX INCORPORATED AND SHOULD NOT BE USED WITHOUT WRITTEN PERMISSION				

F

E

D

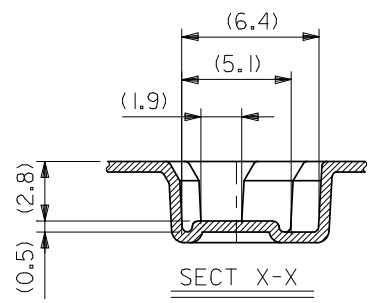
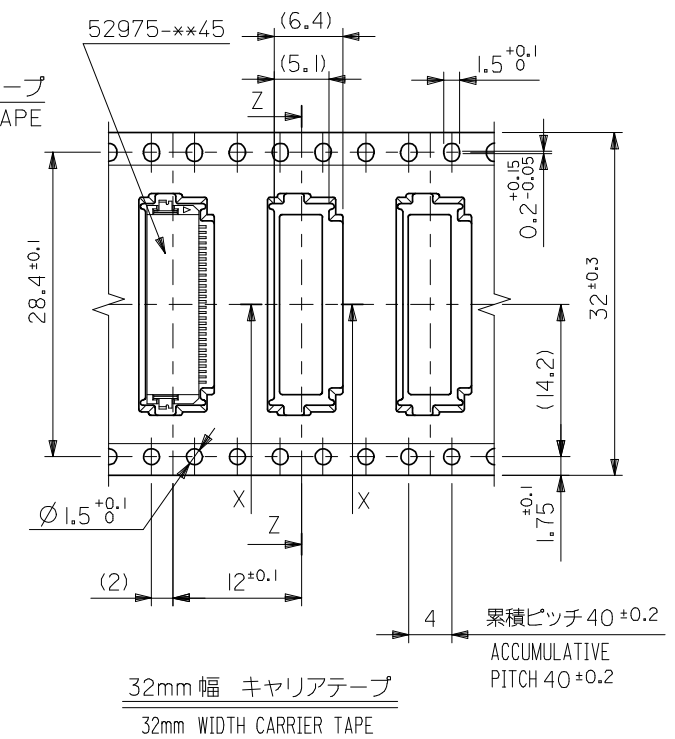
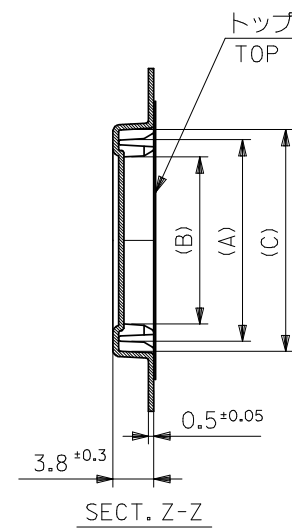
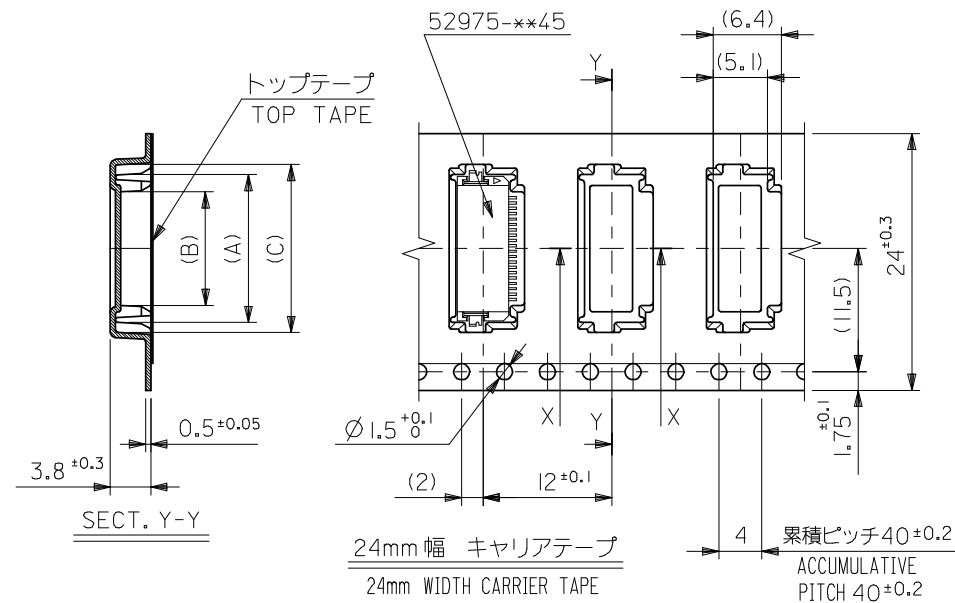
C

B

A

引き出し方向
PULL OUT DIRECTION

引き出し方向
PULL OUT DIRECTION



32	37.4	33.4	13.6	18.7	16.8	52975-2663	26
			12.6	17.7	15.8	52975-2463	24
24	29.4	25.4	11.1	16.2	14.3	52975-2163	21
			10.1	15.2	13.3	52975-1963	19
			9.6	14.7	12.8	52975-1863	18
			9.1	14.2	12.3	52975-1763	17
			8.6	13.7	11.8	52975-1663	16
			8.1	13.2	11.3	52975-1563	15
			7.1	12.2	10.3	52975-1363	13
			6.6	11.7	9.8	52975-1263	12
			6.1	11.2	9.3	52975-1163	11
			5.6	10.7	8.8	52975-1063	10
5.1	10.2	8.3	52975-0963	9			
4.6	9.7	7.8	52975-0863	8			
4.1	9.2	7.3	52975-0763	7			
3.6	8.7	6.8	52975-0663	6			
キャリアテープ幅 CARRIER TAPE WIDTH	E	D	(C)	(B)	(A)	MATERIAL NO.	極致 CKT.

REVISED
EC NO: J2009-0003
DRWN:MNABEI 2008/07/08
CHKD:THARUYAMA 2008/07/09
APPR:NUKITA 2008/07/09

DESCRIPTION
GENERAL TOLERANCES (UNLESS SPECIFIED)
10 UNDER ±0.2
10 OVER 30 UNDER ±0.25
30 OVER ±0.3
ANGULAR ±3 °
DRAFT WHERE APPLICABLE MUST REMAIN WITHIN DIMENSIONS

DIMENSION STYLE
MM ONLY
DRAWN BY DATE
MNABEI '04/08/16
CHECKED BY DATE
KTOJO '04/08/16
APPROVED BY DATE
NUKITA '04/08/16
MATERIAL NO.
SEE TABLE

SCALE ---
DESIGN UNITS METRIC
THIRD ANGLE PROJECTION
TITLE
0.5 FFC/FPC CONN NON-ZIF HSG ASSY UPPER CONTACT -LEAD FREE-
MOLEX INCORPORATED
DOCUMENT NO. SD-52975-018
SHEET NO. 2 OF 2
THIS DRAWING CONTAINS INFORMATION THAT IS PROPRIETARY TO MOLEX INCORPORATED AND SHOULD NOT BE USED WITHOUT WRITTEN PERMISSION

52975-xx63 MODEL NO.