

**Premier  
Integrated Trunking**

1:5



PRODUCT RANGE	
Trunking	List No.
50 x 50 mm trunking profile	NCT/5050
75 x 50 mm trunking profile	NCT/7550
75 x 75 mm trunking profile	NCT/7575
100 x 40 mm trunking profile	NCT/1040
100 x 50 mm trunking profile	NCT/1050
100 x 100 mm trunking profile	NCT/1010
All trunking is supplied in 3 metre lengths	

PRODUCT RANGE	
	List No.†
Internal couplers	NCI
Joint covers	NJC
Cable retainers	NBP
Cable dividers	NVS
End caps	NEP
Underbox dividers	NUB
Reducers	NTR
Wall plate for internal corners	NWP
External corner (90°)	NAE
External data bend	NDAE
Internal corner (90°)	NAI
Internal data bend	NDAI
Flat angles (90°)	NAF
Flat tees	NTF
Internal tees	NTI
External tees	NTE
Flat crosses	NCU
Flange couplers	NFC
Internal angles (135°)	NMI
External angles (135°)	NMO
Flat angles (135°)	NMT

† Please note that only part of the list No. is shown. The three letters denote component type, for digits to denote component size please refer to main catalogue.

**Features**

- Wide range of integrated components maximise versatility in application
- Simple, clean lines
- Easy to assemble and install
- High impact resistance and durability
- Tapered joints provide complete protection at junctions masking cut ends
- Continuity of cable distribution through different sized trunking is provided by special end reducers
- Clip on covers provide continuous access for wiring modifications

**Standards and approvals**

Manufactured in accordance with the requirements of BS 4678:Part 4 Heavy Duty Classification and BS 4662.

PVC-U meets requirements of the following British Standards: BS 4607, Part 1, BS 6099-2-2, and is class I for spread of flame when tested in accordance with BS 476, Part 7.

All products are designed and manufactured to allow installation to comply with BS7671 - IEE Wiring Regulations.

**Premier**

**Integrated Trunking**

2:5



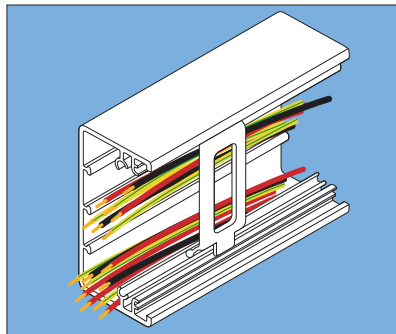
**Description**

Premier is an integrated PVC-U trunking system for general cable distribution. A comprehensive range of tees, angles, reducers and junctions make a very wide range of configurations possible and the system can be wall or ceiling mounted.

6 trunking sizes are available (see dimensions overleaf) offering the user distribution solutions, from incoming mains to the most remote power, telecom or data outlet.

**Cable segregation**

Each trunking profile incorporates a series of preformed locators which accept clip-in dividers for cable segregation. Special dividers are provided to maintain cable segregation behind outlet positions. Clip-in components are provided for retaining cables within each compartment prior to trunking lids being fitted.



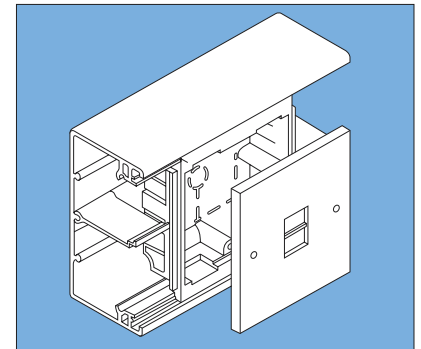
**Finish**

Premier lid components are decoratively textured in contrasting linear patterns giving a subtle 'striped' effect.

All other components are in white with a semi matt finish.

**Outlets boxes**

One and two gang outlets boxes in 25mm and 35mm depths, allow power, telecom and data outlets to be incorporated where required. MK plug-in lighting can be used with all trunking sizes.



**Applications**

The Premier system is ideal for use in factories, workshops, schools, portable accommodation and general commercial buildings where integration of cable distribution with accessory mounting facility is desirable.

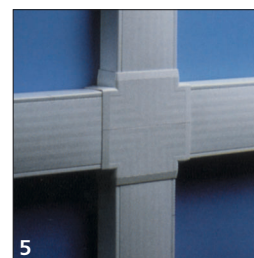
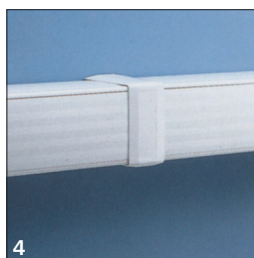
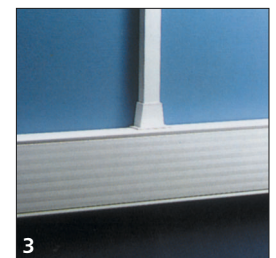
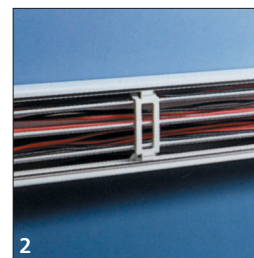
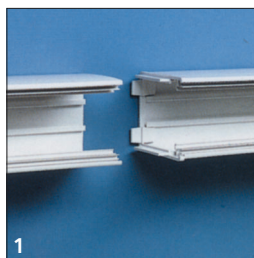
Generally systems can be used as follows:

50 x 50, 75 x 50 and 75 x 75mm – general cable distribution.

100 x 40 and 100 x 50mm – where mounting accessories are also required.

100 x 100mm – where mounting accessories and/or generous cable distribution is required.

1. Moulded internal couplers are used to link adjacent lengths of trunking together
2. Clip-in cable dividers and cable retainers organise the interior of the trunking
3. The Premier special adaptor provides integration with Ega Mini Trunking and Ega Communication Trunking for local distribution.
4. Clip-on joint covers are available to mask cut ends and junctions between individual lengths of trunking
5. A moulded flat cross is available for all distribution trunking



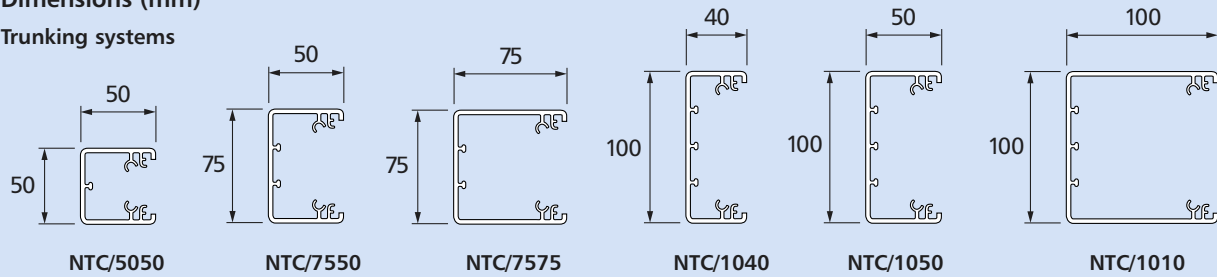
**Premier**

**Integrated Trunking**

3:5

**Dimensions (mm)**

**Trunking systems**

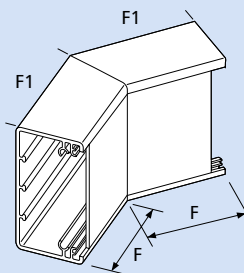


List. No.	Size mm	Wall thickness mm	Weight kg/m	Cross section area mm <sup>2</sup>	Term
NCT/5050	50 x 50	2.0	0.74	1881	846
NCT/7550	75 x 50	2.3	0.91	3039	1368
NCT/7575	75 x 75	2.5	1.16	4754	2139
NCT/1040	100 x 40	2.5	1.01	3091	1391
NCT/1050	100 x 50	2.5	1.16	4041	1818
NCT/1010	100 x 100	2.8	1.71	8725	3926

**Components**

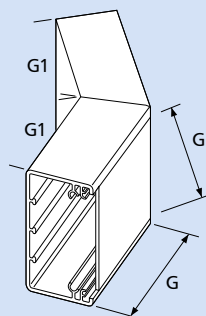
The five components that follow are moulded sections and space must be allowed for their inclusion in runs of trunking. All other components snap on over standard trunking profiles.

**Internal angle (135°) NMI**



		F mm	F1 mm
NMI	5050	75	96
	7550	75	96
	7575	75	106
	1040	75	92
	1050	75	96
	1010	75	116

**External angle (135°) NMO**



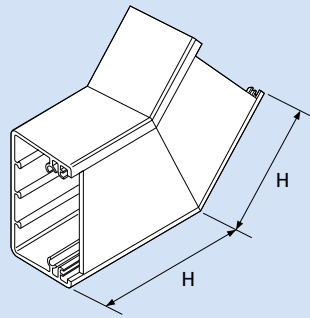
		G mm	G1 mm
NMO	1050	96	75
	7550	96	75
	7575	106	75
	1040	92	75
	1050	96	75
	1010	116	75

**Premier  
Integrated Trunking**

4:5

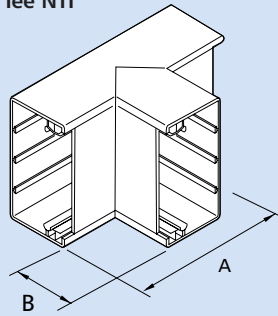


**Flat angle (135°) NMT**



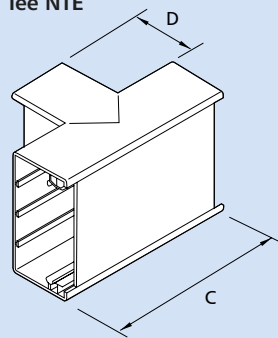
		<b>H mm</b>
NMT	5050	96
	7550	106
	7575	106
	1040	116
	1050	116
	1010	116

**Internal Tee NTI**



		<b>A mm</b>	<b>B mm</b>
NTI	5050	150	50
	7550	150	50
	7575	225	75
	1040	150	60
	1050	150	50
	1010	250	75

**External Tee NTE**



		<b>C mm</b>	<b>D mm</b>
NTE	5050	150	50
	7550	150	50
	7575	225	75
	1040	150	60
	1050	150	50
	1010	250	75

**Accessories**

	<b>For use with</b>	<b>List No.</b>
One gang outlet box	NCT/1040, NCT/1050, NCT/1010 for power and ELV outlets requiring 25mm deep box	VTS/6025
	NCT 1050/NCT1010 for power and ELV outlets requiring 35mm deep box	VTS/6035
Two gang outlet box	NCT/1040, NCT/1050, NCT/1010 for power and ELV outlets requiring 25mm deep box	VTS/7025
	NCT 1050/NCT1010 for power and ELV outlets requiring 35mm deep box	VTS/7035
Mini trunking adaptor	Integrates Premier with YEA/1, YEA 2, YEA/200, YEA3 CMA/1, CMA/3, CMA4 Mini trunking fittings	NYT/100
Partition wall cover	NCT/1040	NWC/1040
Cutting block		KB/1

**Premier  
Integrated Trunking**

5:5

**Installation**

**Planning**

Establish trunking size to be used

Provisionally locate positions of service outlets, where appropriate

**Installation**

‘Strike’ line of trunking using plumb bob and chalk line for vertical and spirit level for horizontal runs. Drill trunking with oversized holes in positions and at maximum centres as shown in (Fig. 2) and (Fig. 3). Fixing with dome-head screws using fibre or rubber washers. Do not tighten the screws to their fullest extent to allow for expansion movement in the trunking.

Couplers, corners, tees, reducers angles and other required components are then employed to create the required trunking configuration. Once the cabling has been installed and retained by the appropriate retaining clips and the appropriate outlets positioned lids are applied to the whole system.

Trunking and lidding is lightweight and can be readily cut and drilled with hand tools. Stop ends can be bonded to runs of trunking with appropriate adhesives.

Full fixing instructions are supplied with product.

