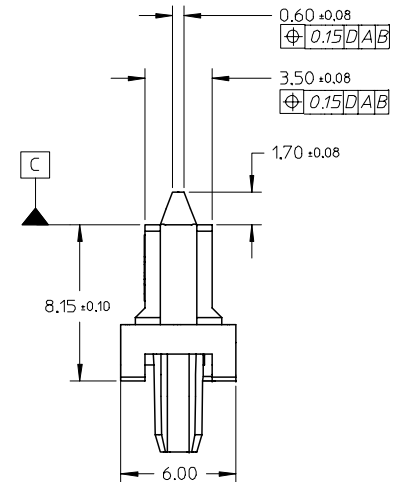


- NOTES:
1. MATERIAL: HIGH TEMPERATURE THERMOPLASTIC, UL 94V-0, COLOR: BLACK
TERMINAL: COPPER ALLOY
 2. PLATING:
CONTACT: 0.76µm MIN. SELECTIVE GOLD OVER 1.27µm MIN. NICKEL UNDERPLATE
SOLDERTAIL: 2.54µm MIN. TIN/LEAD OR TIN OVER 1.27 µm MIN. NICKEL UNDERPLATE
 3. MOLEX LOGO LOCATED APPROXIMATELY AS SHOWN
 4. MAXIMUM WARPAGE OF 0.13 mm OVER THE LENGTH OF THE CONNECTOR IN ANY DIRECTION BEFORE AND AFTER EXPOSURE TO MAX. 260°C FOR 10 SECONDS
 5. PRODUCT SPECIFICATION: PS-87713-016 APPLIES
 6. PACKAGING
30 CONNECTORS PER TRAY

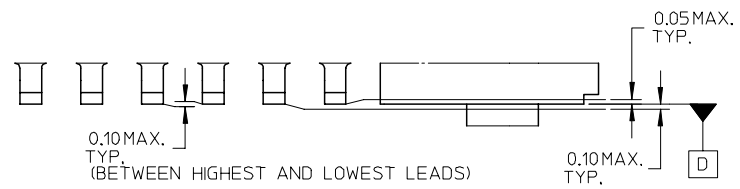
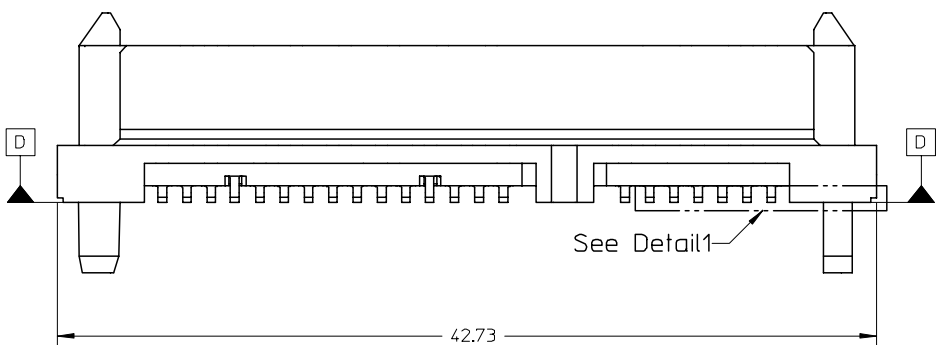


THE DESIGN IS BASED ON DESIGN OBJECTIVES AND IS STRICTLY TENTATIVE. IT MAY CHANGE BASED ON RESULTS OF ADDITIONAL DESIGN REVIEWS & VERIFICATIONS

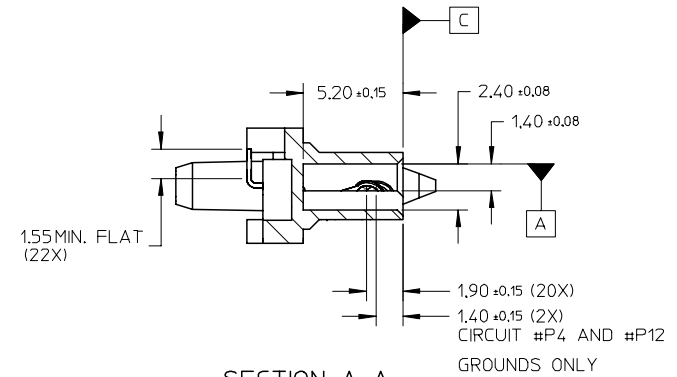
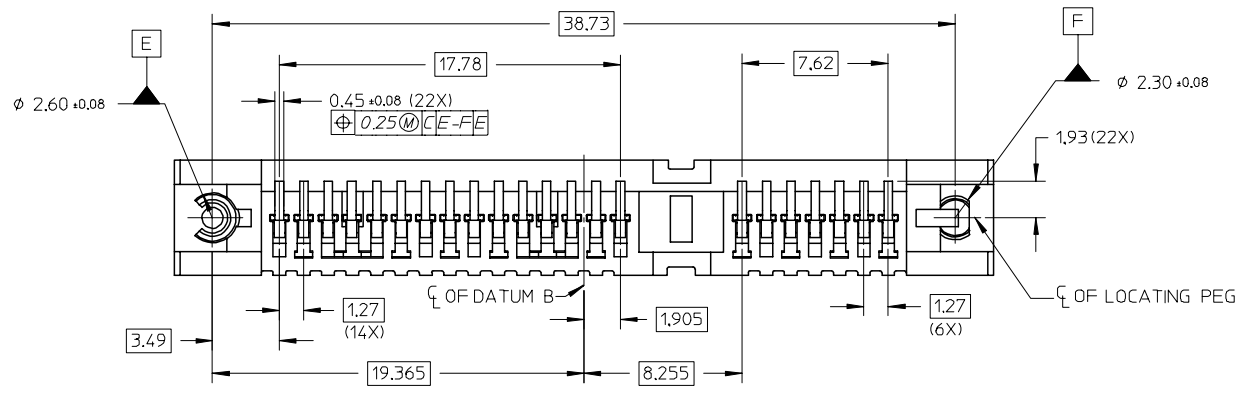
tb_frame_B rev. B1 2000/08/01

ADD ASSY P/N FOR L/F EC NO: S2004-0620 DRWN:DKOH 2004/08/24 CHKD:BLOW 2004/08/24 APPR:SKTOH 2004/08/24	QUALITY SYMBOLS ▽ = 0 ▽ = 0	GENERAL TOLERANCES (UNLESS SPECIFIED)		SCALE NTS	DESIGN UNITS METRIC	THIRD ANGLE PROJECTION	REVISE ON CAD ONLY
		4 PLACES ± --- ± --- 3 PLACES ± --- ± --- 2 PLACES ± 0.20 ± --- 1 PLACE ± --- ± ---	DIMENSION STYLE MM ONLY	TITLE SALES DRAWING SERIAL ATA BACKPLANE STD HEIGHT, RECEPT., SMT			
		ANGULAR ± 3 °	DRAWN BY DKOH	DATE 2002/07/05	MOLEX MOLEX INCORPORATED		
		DRAFT WHERE APPLICABLE MUST REMAIN WITHIN DIMENSIONS	CHECKED BY KCLING	DATE 2002/07/05	MATERIAL NO. SEE TABLE	DOCUMENT NO. SD-87713-001	SHEET NO. 1 OF 4

THIS DRAWING CONTAINS INFORMATION THAT IS PROPRIETARY TO MOLEX INCORPORATED AND SHOULD NOT BE USED WITHOUT WRITTEN PERMISSION

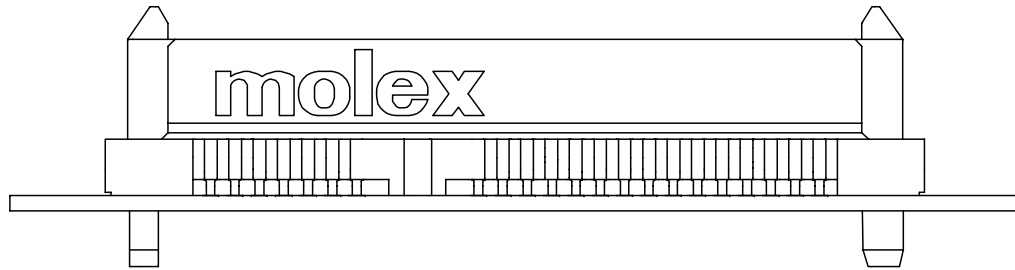
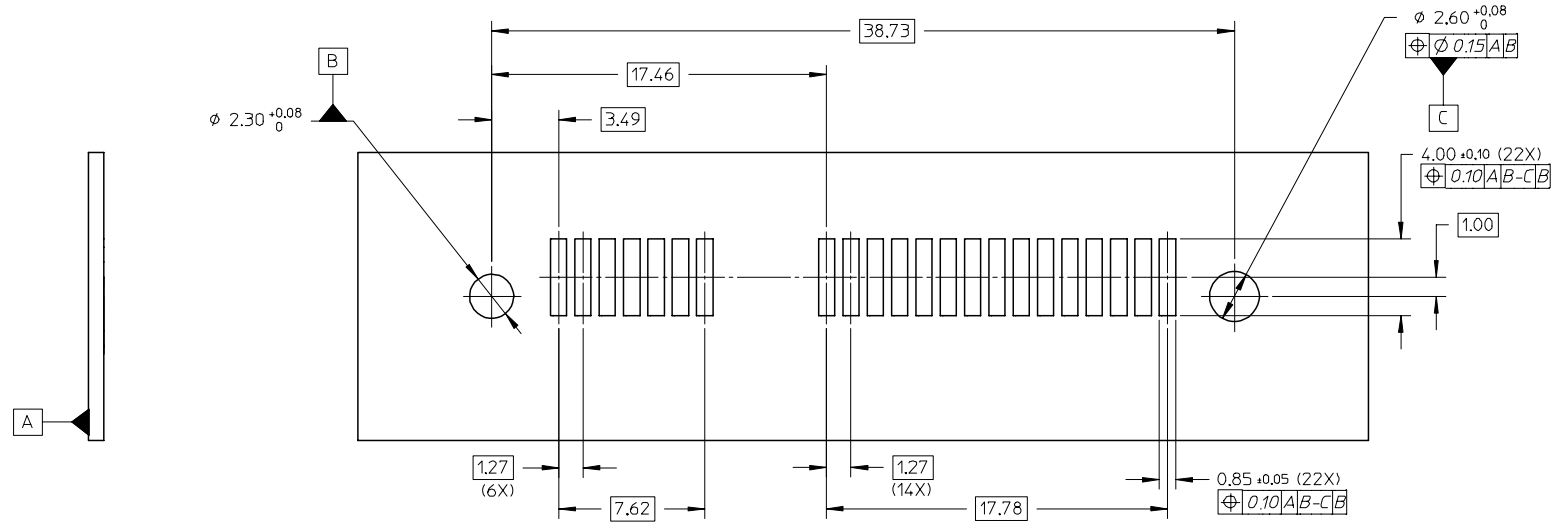


DETAIL 1



SECTION A-A

ADD ASSY P/N FOR L/F EC NO: S2004-0620 DRWN:DKOH 2004/08/24 CHKD:BLOW 2004/08/24 APPR:SKTOH 2004/08/24	DESCRIPTION REV B	QUALITY SYMBOLS	GENERAL TOLERANCES (UNLESS SPECIFIED)	SCALE NTS	DESIGN UNITS METRIC	THIRD ANGLE PROJECTION	REVISE ON CAD ONLY	
		$\nabla = 0$ $\sphericalangle = 0$	mm INCH 4 PLACES ± --- ± --- 3 PLACES ± --- ± --- 2 PLACES ± 0.20 ± --- 1 PLACE ± --- ± --- ANGULAR ± 3 °	DIMENSION STYLE MM ONLY		TITLE		
		DRAFT WHERE APPLICABLE	MUST REMAIN WITHIN DIMENSIONS	DRAWN BY DATE DKOH 2002/07/05 CHECKED BY DATE KCLING 2002/07/05 APPROVED BY DATE SKTOH 2002/07/05	SALES DRAWING SERIAL ATA BACKPLANE STD HEIGHT, RECEPT., SMT MOLEX INCORPORATED			
				MATERIAL NO. DOCUMENT NO. SHEET NO. SEE TABLE SD-87713-001 2 OF 4		THIS DRAWING CONTAINS INFORMATION THAT IS PROPRIETARY TO MOLEX INCORPORATED AND SHOULD NOT BE USED WITHOUT WRITTEN PERMISSION		

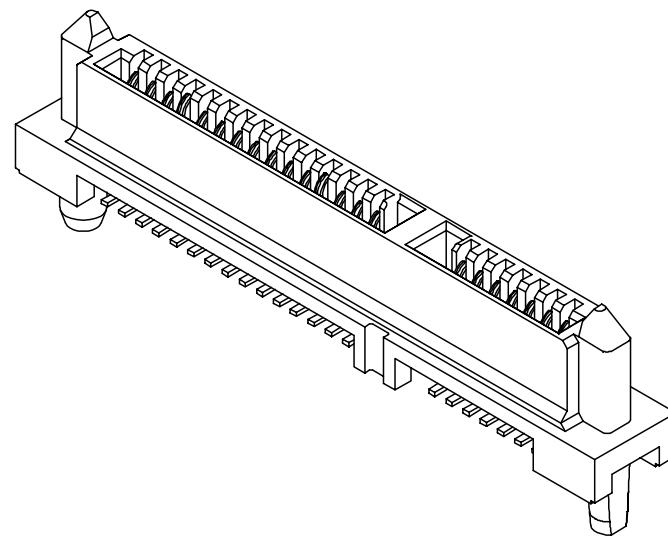
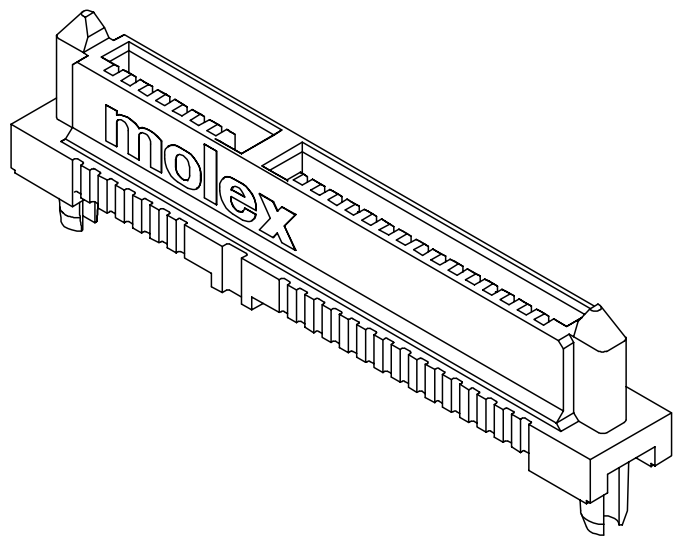


PCB THICKNESS: TBA mm
RECOMMENDED PCB LAYOUT

ADD ASSY P/N FOR L/F EC NO: S2004-0620 DRWN:DKOH 2004/08/24 CHKD:BHLOW 2004/08/24 APPR:SKTOH 2004/08/24	QUALITY SYMBOLS ▽ = 0 ◁ = 0	GENERAL TOLERANCES (UNLESS SPECIFIED)		SCALE NTS	DESIGN UNITS METRIC	THIRD ANGLE PROJECTION	REVISE ON CAD ONLY
		4 PLACES ± --- ± --- 3 PLACES ± --- ± --- 2 PLACES ± 0.20 ± --- 1 PLACE ± --- ± ---	DIMENSION STYLE MM ONLY	TITLE SALES DRAWING SERIAL ATA BACKPLANE STD HEIGHT, RECEPT., SMT			
		ANGULAR ± 3 °	DRAWN BY DKOH	DATE 2002/07/05	MOLEX INCORPORATED		
		DRAFT WHERE APPLICABLE MUST REMAIN WITHIN DIMENSIONS	CHECKED BY KCLING	DATE 2002/07/05	MATERIAL NO. SEE TABLE	DOCUMENT NO. SD-87713-001	SHEET NO. 3 OF 4

10 9 8 7 6 5 4 3 2 87713

PLATING OPTION	PART NO
TIN/LEAD	87713-0001
TIN	87713-1001



ADD ASSY P/N FOR L/F EC NO: S2004-0620 DRWN:DKOH 2004/08/24 CHKD:BLOW 2004/08/24 APPR:SKTOH 2004/08/24	DESCRIPTION REV B	QUALITY SYMBOLS	GENERAL TOLERANCES (UNLESS SPECIFIED)		SCALE NTS	DESIGN UNITS METRIC	THIRD ANGLE PROJECTION	REVISE ON CAD ONLY																
		▼ = 0 ◻ = 0	<table border="1"> <thead> <tr> <th></th> <th>mm</th> <th>INCH</th> </tr> </thead> <tbody> <tr> <td>4 PLACES</td> <td>± ---</td> <td>± ---</td> </tr> <tr> <td>3 PLACES</td> <td>± ---</td> <td>± ---</td> </tr> <tr> <td>2 PLACES</td> <td>± 0.20</td> <td>± ---</td> </tr> <tr> <td>1 PLACE</td> <td>± ---</td> <td>± ---</td> </tr> </tbody> </table>		mm	INCH	4 PLACES	± ---	± ---	3 PLACES	± ---	± ---	2 PLACES	± 0.20	± ---	1 PLACE	± ---	± ---	DIMENSION STYLE MM ONLY		TITLE			
			mm	INCH																				
		4 PLACES	± ---	± ---																				
3 PLACES	± ---	± ---																						
2 PLACES	± 0.20	± ---																						
1 PLACE	± ---	± ---																						
DRAFT WHERE APPLICABLE			DRAWN BY DATE DKOH 2002/07/05		SERIAL ATA BACKPLANE STD HEIGHT, RECEPT., SMT																			
MUST REMAIN WITHIN DIMENSIONS			CHECKED BY DATE KCLING 2002/07/05		MOLEX INCORPORATED																			
			APPROVED BY DATE SKTOH 2002/07/05		MATERIAL NO. SEE TABLE		DOCUMENT NO. SD-87713-001																	
							SHEET NO. 4 OF 4																	
							THIS DRAWING CONTAINS INFORMATION THAT IS PROPRIETARY TO MOLEX INCORPORATED AND SHOULD NOT BE USED WITHOUT WRITTEN PERMISSION																	

8 7 6 5 4 3 2 1