

**Order designation**

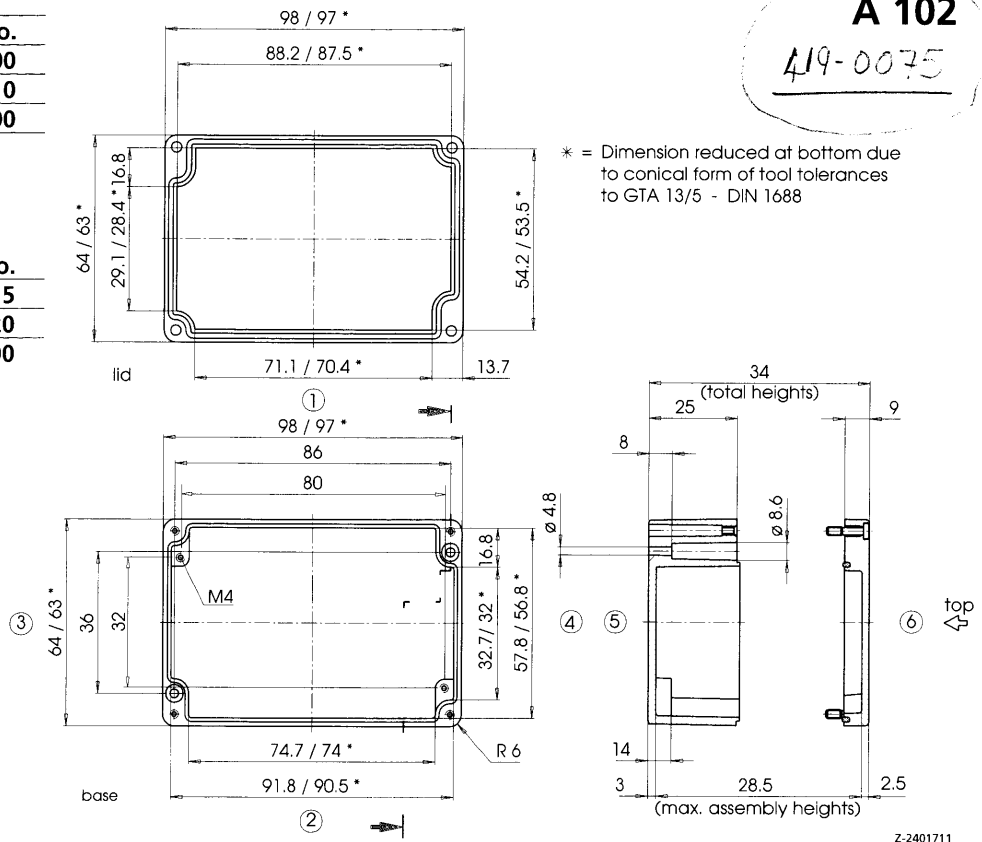
Enclosures	Order no.
A 102	01102000
A 102 SIL	01102010
A 102 G, 500+ pcs	01102500

(SIL = lid with silicone seal,  
G = with clear lid)

**Accessories (additional charge) Order no.**

KP: Capstan-headed screws, sealable	21007915
IS: Allen head screws	21007920
TS 15: Top hat rail DIN EN 50045	21002600

**A 102**  
419-0075



**Order designation**

Enclosures	Order no.
A 103	01103000
A 103 SIL	01103010

(SIL = lid with silicone seal)

**Accessories (additional charge) Order no.**

KP: Capstan-headed screws, sealable	21007915
IS: Allen head screws	21007920
TS 15: Top hat rail DIN EN 50045	21002700

**A 103**

