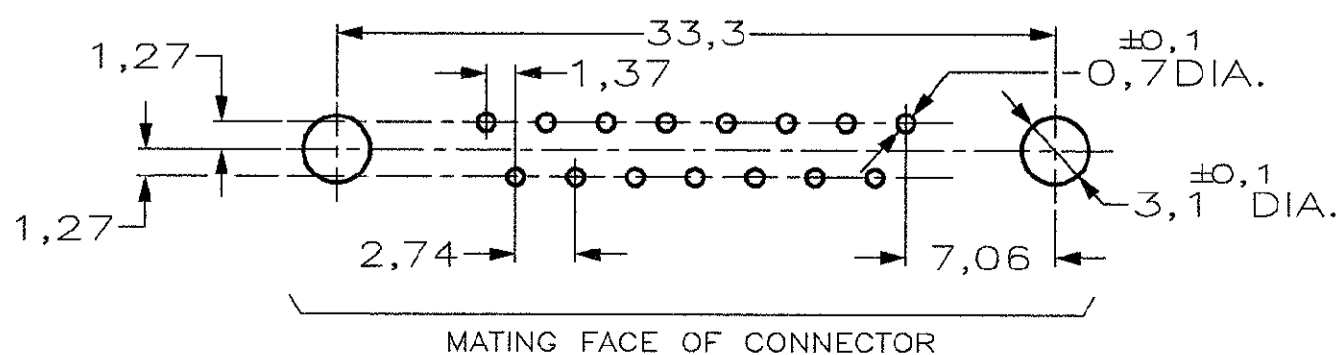


RECOMMENDED P.C. BOARD HOLE-LAYOUT



DO NOT SCALE		METRIC		THIRD ANGLE PROJECTION	
DIMENSIONS IN mm					
ACCESSORIES PREFIX "7"	5	BUSHING WITH THROUGH HOLE 3,1 DIA.	2		
	5	BUSHING WITH INNER THREAD 4-40 UNC	2		
	5	BUSHING WITH INNER THREAD M3	2		
	4	FEMALE SCREWLOCK WITH 4-40 UNC	2		
	4	FEMALE SCREWLOCK WITH M3	2		
	7	BOARDLOCK	2	2	2
ITEM NR.	DESCRIPTION OF ACCESSORY				
HOW TO ORDER:	15 POS.-----> Z-188026-Y				
	PREFIX FOR ACCESSORIES		0-XXXXXX-Y		
	BASIC PARTNR.		1-XXXXXX-Y		
	SUFFIX FOR PLATING		2-XXXXXX-Y		
			3-XXXXXX-Y		
			4-XXXXXX-Y		
			5-XXXXXX-Y		
			6-XXXXXX-Y		
			7-XXXXXX-Y		
			8-XXXXXX-Y		
		9-XXXXXX-Y			
PLATING SUFFIX "Y"	GOLD OVER NICKEL AS PER PERFORMANCE LEVEL 2 (DIN 41652)				
	SOLDERPART: 2,5µm BRIGHT SnPb.				
NOTES :					
△ GROOVE INDICATES VERSION WITH 4-40 UNC INNER THREAD; WITHOUT GROOVE INDICATES VERSION WITH M3 INNER THREAD.					
△ CAVITY IDENTIFICATION AT FRONT SIDE ONLY.					
△ PARTNUMBER AND DATE CODE.					
ITEM NRS./MATERIAL :					
①	SHELL	:	BRIGHT TINPLATED STEEL		
②	HOUSING	:	GLASSFILLED POLYESTER, COLOR : BLACK		
③	CONTACTS	:	PHOSPHORBRONZE (PLATING : SEE TABLE ABOVE)		
④	FEMALE SCREWLOCK	:	TINPLATED STEEL (INNER THREAD 4-40 UNC OR M3)		
⑤	BUSHING	:	TINPLATED STEEL (INNER THREAD 4-40 UNC OR M3 OR 3,1 DIA THRU-HOLE)		
⑥	BRACKET	:	TINPLATED STEEL		
⑦	BOARDLOCK	:	TINPLATED PHOSPHORBRONZE		
⑧	POST ALIGNMENTPLATE	:	GLASSFILLED POLYESTER, COLOR : BLACK		
-	-	-	-	-	CUSTOMER DRAWING FOR REFERENCE ONLY WILL NOT BE UPDATED
-	-	-	-	-	© COPYRIGHT 19 - BY AMP-HOLLAND B.V. ALL INTERNATIONAL RIGHTS RESERVED. AMP PRODUCTS MAY BE COVERED BY U.S. AND FOREIGN AND/OR PATENTS PENDING. THIS DRAWING IS UNPUBLISHED RELEASED FOR PUBLICATION 19
-	-	-	-	-	<b>AMP</b> AMP-HOLLAND B.V. 's-Hertogenbosch, The Netherlands.
E	EH-1417-99	T.K.	W.C.	10-02-00	NAME HDP-20 SIZE 2
D	EH-0033-99	D.K.	W.S.	25 JAN 99	RIGHT ANGLE RECEPTACLE HEADER; EUROSTYLE+ WITH BORDLOCKS
LTR.	REVISION RECORD	DR.	CHK.	DATE	
DR.:	D.KESSLER	CHK.:	W.SCOMERS	APP.:	W.SCOMERS
DATE:	25-01-99	DATE:	10/09/99	DATE:	-
DWG.No.	C-188026		REV.LTR.	SHEET	1 OF 1
					A2