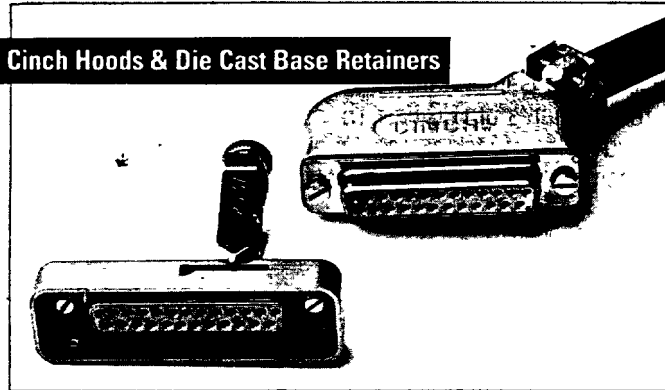


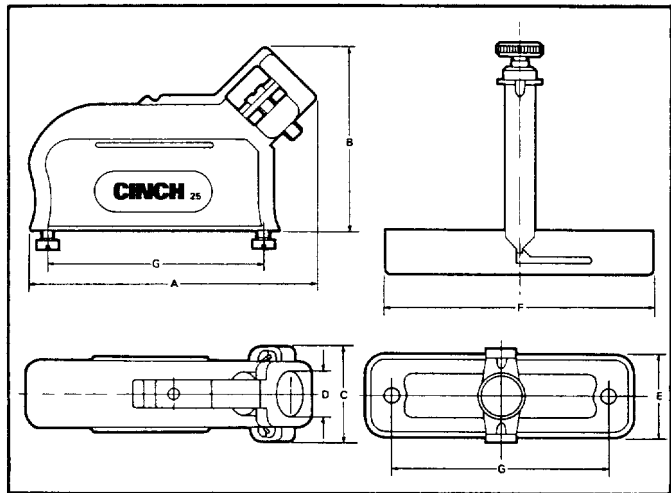
209-387/399/405/417/429

Cinch Hoods & Die Cast Base Retainers



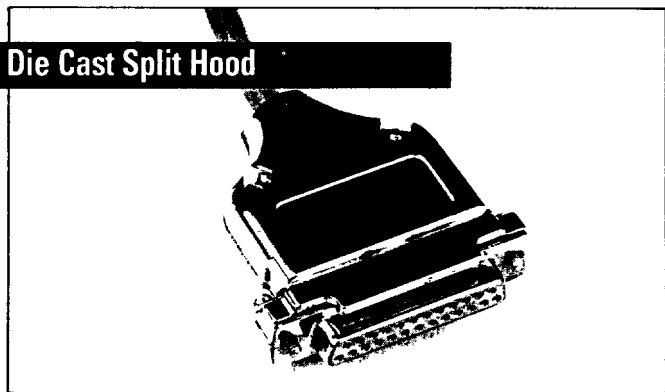
- BT 217 approved
- Solid die cast construction
- Positive termination of screen using pre-tapped hole
- Cover may be used with slide locks or base retainer

Shell Size	Dimensions (mm)						
	A	B	C	D max	E	F	G
E	40.4	33.5	20.6	9.52	18.0	35.7	24.99
A	48.4	33.5	20.6	9.52	18.0	44.4	33.32
B	60.0	39.5	20.6	9.52	18.0	58.0	47.04
C	76.4	39.5	20.6	9.52	18.0	74.6	63.50
D	74.9	39.9	23.4	12.70	20.8	72.0	61.11



Shell Size	Standard Hoods with 6BA Screws	Hoods with Mounting Holes Tapped 4-40 UNC for use with Slide Locks	Base Retainer Part Number	BT Code for Hood complete with Connector		BT Code for Base Retainer complete with Connector	
				Plug	Socket	Plug	Socket
E	R43 81960 00 000 000	R43 81960 00 00A 000	R43 00020 00 000 000	217A 09A	217C 09A	217B 09B	217D 09B
A	R43 81962 00 000 000	R43 81962 00 00A 000	R43 00021 00 000 000	217A 15A	217C 15A	217B 15B	217D 15B
B	R43 81964 00 000 000	R43 81964 00 00A 000	R43 00022 00 000 000	217A 25A	217C 25A	217B 25B	217D 25B
C	R43 81966 00 000 000	R43 81966 00 00A 000	R43 00023 00 000 000	217A 37A	217C 37A	217B 37B	217D 37B
D	R43 81968 00 000 000	R43 81968 00 00A 000	R43 00024 00 000 000	217A 50A	217C 50A	217B 50B	217D 50B

Die Cast Split Hood



- Excellent EMI/RFI screening
- Supplied complete with jack screws
- Split for fitting after connectors are terminated

Shell Size	Part Number	Cable Diameter A (mm)
E	R10 60248 09 372 000	8.5
B	R10 00009 00 000 000	7.0
B	R10 60248 25 732 000	8.0
B	R10 60248 25 594 000	9.5

