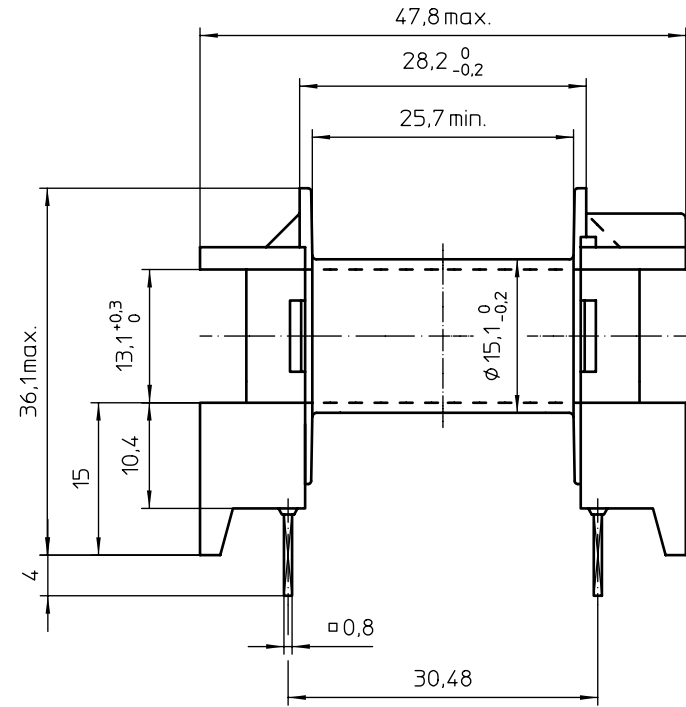
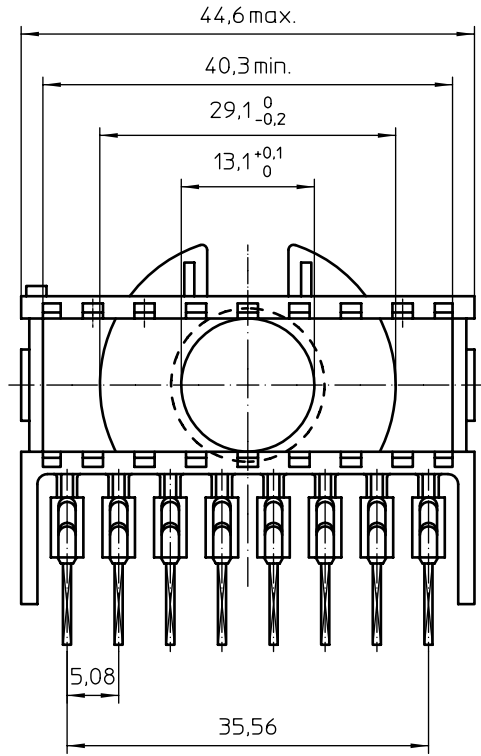
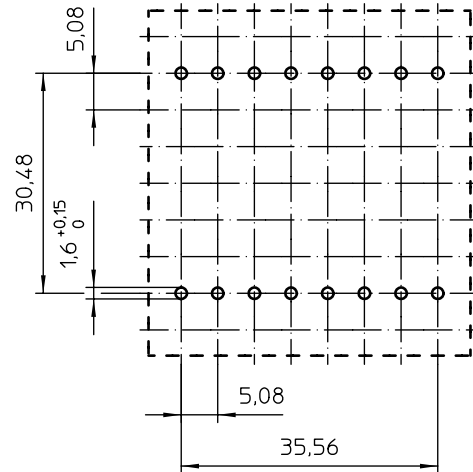


**FERROXCUBE**



HOLE PATTERN:



Coil former material: Valox 420SE0 (PBT), glass-reinforced.  
 UL file number: E45329(R) - UL94V-0.  
 Pin material: CuSn - Ni flash, SnPb plated.  
 Max. operating temp.: acc. to IEC 85 class F, 155°C.  
 Resistance to soldering heat: acc. to IEC 68-2-20 Part 2, Test Tb, method 1B, 350°C - 3,5sec.  
 Solderability: acc. to IEC 68-2-20 Part 2, Test Ta, method 1, 235°C - 2sec.  
 Min. winding area: 177 mm<sup>2</sup>.  
 Mean length of turn: 69 mm.

CLASSNO.			96-02-06
			98-01-20
98-01-20	CPH-ETD39-1S-16P	4322 021 01651	
NAME NAAM	M.Veekens	SUPERS. VERV.	001
MPA	CHECK CONTR.	DAT.	96-02-06
Property of Eigendom van		112 - 001	069
			<b>A3</b>

© FERROXCUBE 2000