



Air moving solutions made simple



AC Fans
DC Fans



AC Blowers
DC Blowers



AC Impellers
DC Impellers



AC
Motors



Accessories

Search

Part/Model #

Stock Check

Cross-Reference

Keyword

More Products

Heat Sinks

Fan Accessories

Engineering Tools

Airflow Calculator

Thermal Calculator

Unit Conversions

Application Notes

Custom Solutions

Company Info

Sales Force

Phone: 858.348.6200 FAX: 858.566.4577

Distributors

Find a Rep

Contact Us

Maltese AC - MA2B3 - 031842
(Family) (Model) (Part Number)

Electrical Specifications

Rated Voltage:	115 VAC
AC Frequency:	60 Hz
Power Supply:	41.4 Watts
Line Current:	0.36 Amps
Locked Rotor Current	0.75 Amps
Nominal Speed:	3400 RPM

Mechanical Specifications

Dimensions:	6.77in x 5.91in x 2.17in
Weight	36.0 oz
Max Airflow @ 0 in H ₂ O	282.0 CFM
Max Pressure @ 0 CFM	0.840 in H ₂ O
Noise	56.5 dBA

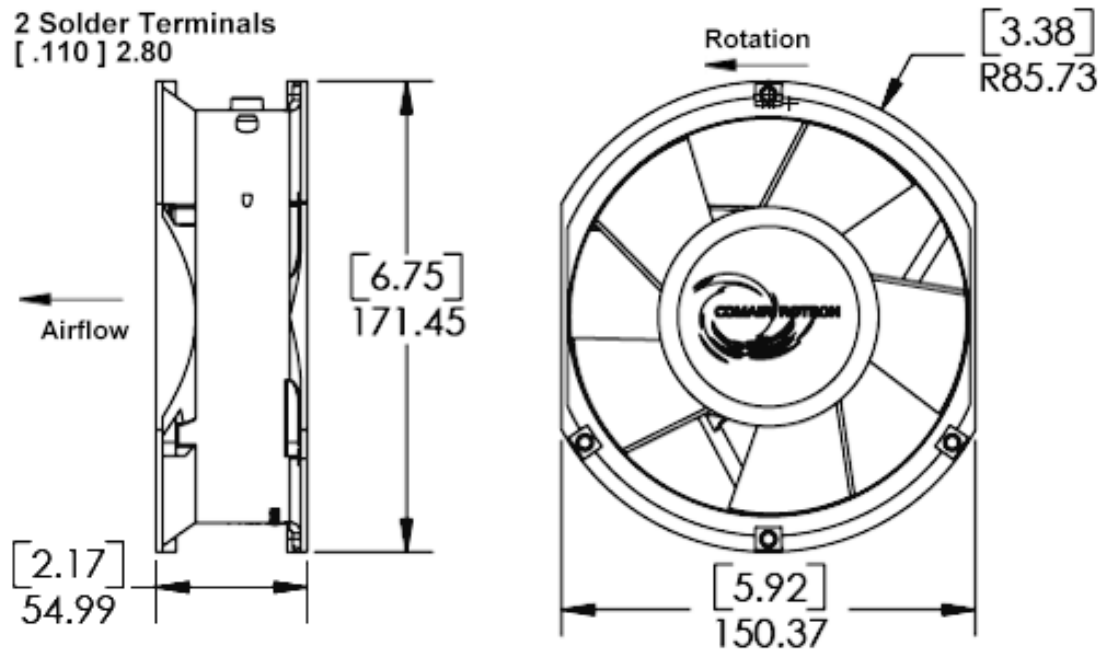


Detailed
Drawing



Printer-Friendly
Datasheet

Mechanical Drawing



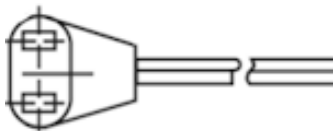
Options

Part Number	Model Number	Bearing Type	Fan Rotation	Termination	In-Stock <small>(Click 'Yes' for current stock)</small>
031842	MA2B3	Ball	Normal	0.110 Terminals	Yes
032963	MA2B6	Ball	Normal	12 in Leads Min	No

<<< Select the fan with desired options, then press the [Update Datasheet](#) button.

Accessories (Click on part number for detailed drawing.)

428056
Plug and Cord



550440
Plug and Cord

