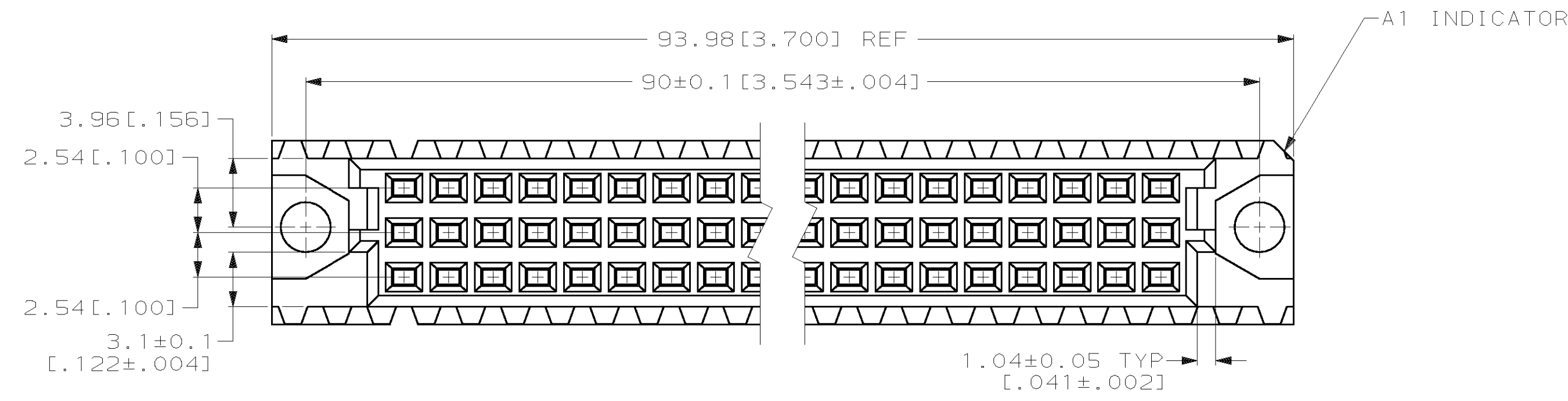
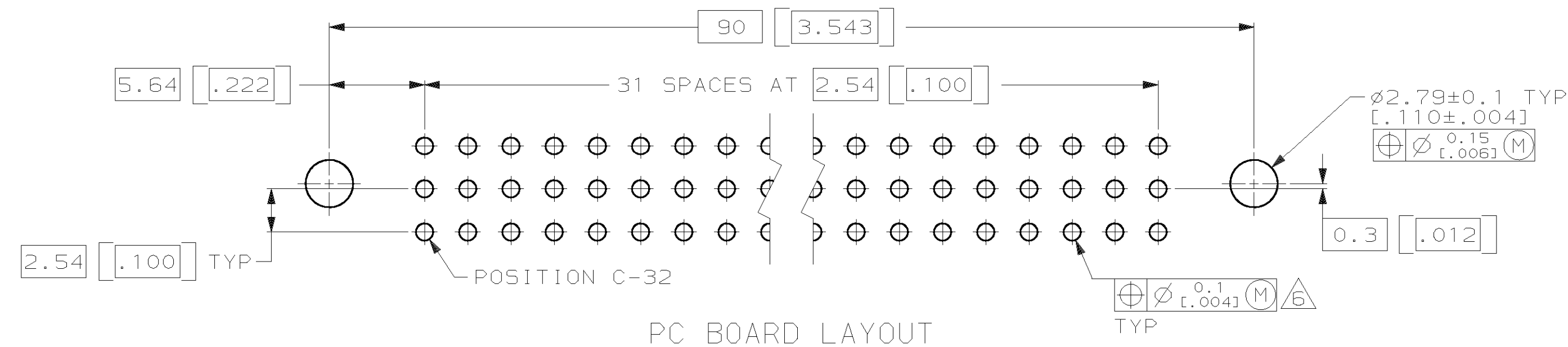
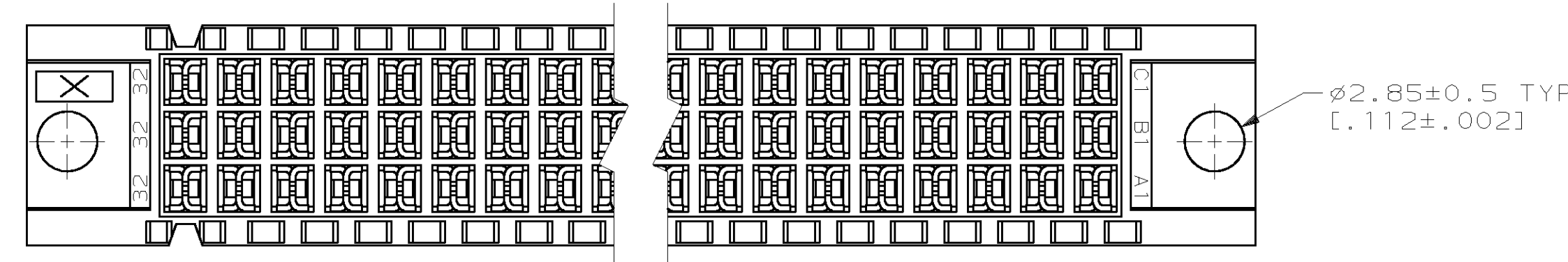
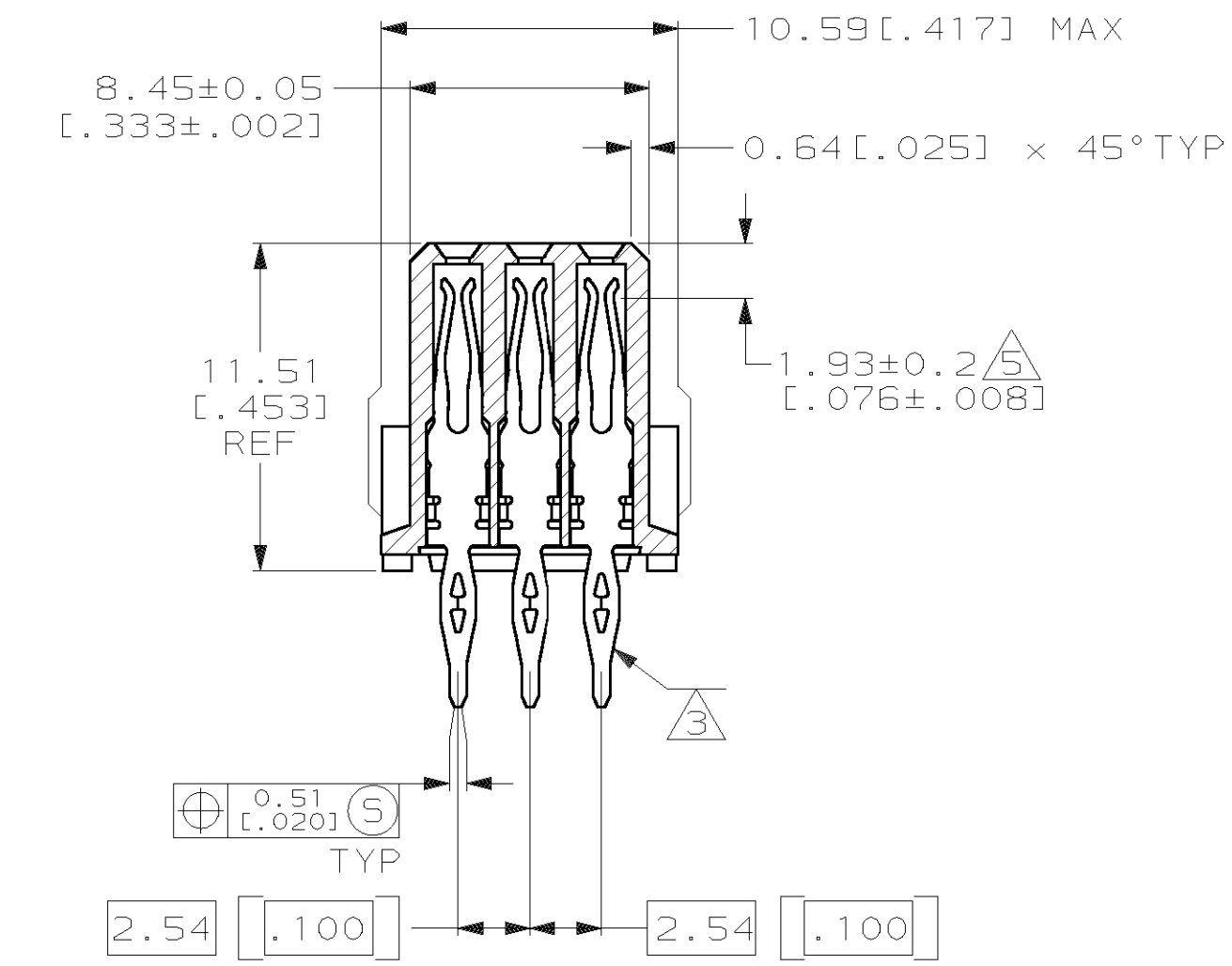
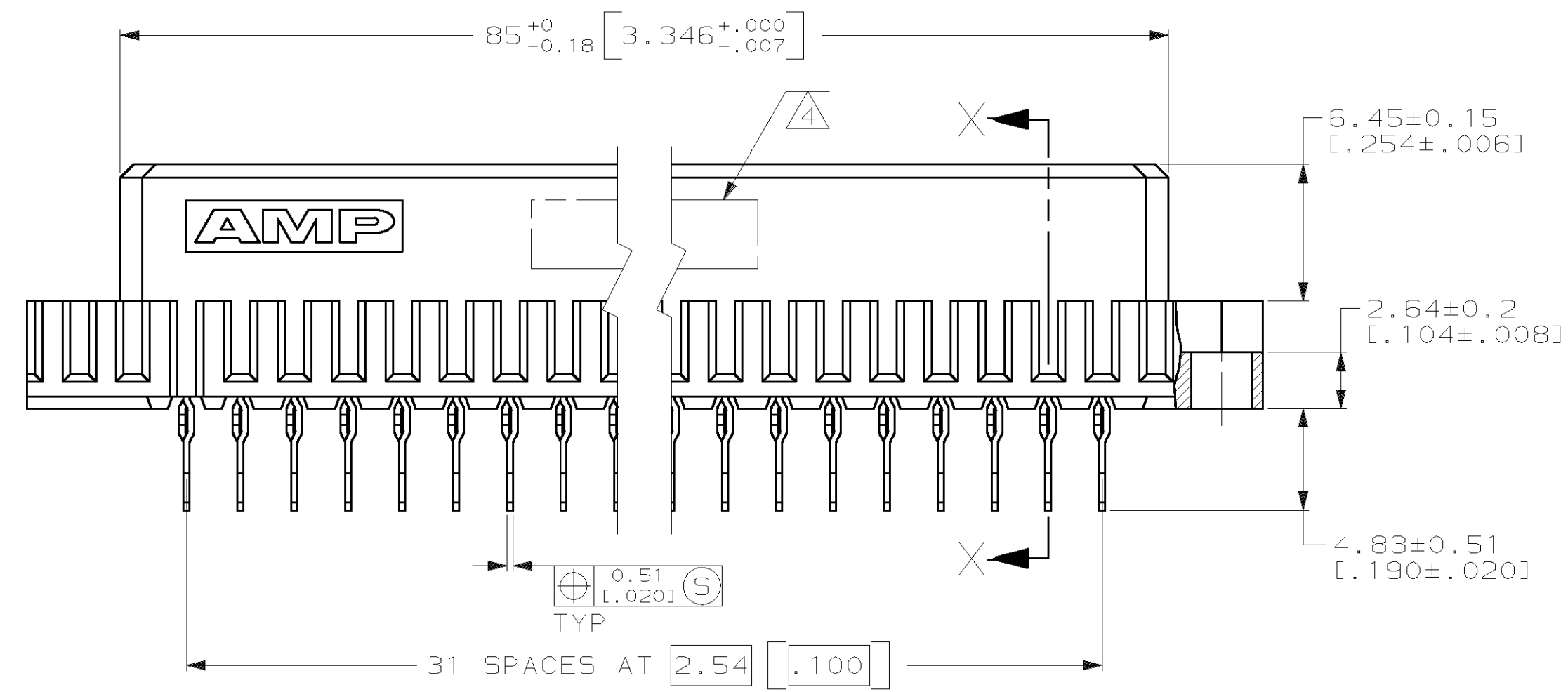


LOC		DIST		REV		ZONE		LTR		REVISIONS			
AD	25	P	F							DESCRIPTION	DATE	APPD	
										G	EC 0010-0350-95	3/20/95	LSB
										H	REVISED PER 0503-0580-97	9-30-97	JG
										J	REV PER EC OUTB-0036-00	16 MAR 00	CR
										K	REV PER EC OU1B-0367-00	04 JAN 01	CR



- ① HOUSING MATERIAL: GLASS-FILLED POLYESTER. COLOR: GRAY.
- ② CONTACT MATERIAL: PHOSPHOR BRONZE.
- ③ CONTACT FINISH: 0.00076[.000030] GOLD IN CONTACT AREA. 0.00127[.000050] NICKEL UNDERPLATE ALL OVER. TIN-LEAD ON POSTS.
- ④ PART NUMBER, DATE CODE IDENTIFICATION, CSA LOGO IN THIS APPROXIMATE AREA.
- ⑤ POINT OF MEASUREMENT FOR GOLD.
- ⑥ ACTION PIN POSTS REQUIRE 1.57[.062] MINIMUM THICK PC BOARD. RECOMMENDED PC BOARD HOLES ARE Ø1.151±0.2[.0453±.001] DRILLED HOLE WITH 0.2-0.07[.001-.003] COPPER AND 0.008[.0003] MINIMUM TIN-LEAD PLATING. FINISHED HOLE AFTER PLATING, Ø0.94-1.09[.037-.043].
- ⑦ CONTACT FINISH: 0.00127[.000050] GOLD IN CONTACT AREA. 0.00127[.000050] NICKEL UNDERPLATE ALL OVER. TIN-LEAD ON POSTS.
- ⑧ CONTACT FINISH: DIN 41612 CLASS 3 IN CONTACT AREA. TIN-LEAD ON POSTS.
- ⑨ CONTACT FINISH: DIN 41612 CLASS 2 IN CONTACT AREA. ALL OVER 1.27µm [0.00050] MIN NICKEL. TIN-LEAD ON POSTS.



NOTES	POSITIONS LOADED	C B A			NO. OF LOADED POSITION	ASSY PART NUMBER
		ROWS LOADED				
⑧	1 THRU 32	X	X	X	96	535032-9
⑨	1 THRU 32	X	X	X	96	535032-5
③	1 THRU 32	X	X	X	96	535032-4
③	1 THRU 32	X	X	X	96	535032-1

DO NOT SCALE PRINT. UNLESS SPECIFIED DIMENSIONS IN mm [INCHES]. TOLERANCES ON: 2 PLC DEC ± 0.13[.005] 3 PLC DEC ± - ANGLES ± -	DR L. BRINER 12/6/88	AMP INCORPORATED Harrisburg, Pa. 17105
CHK J. BROWN 2/27/89	NAME	
APPD J. BROWN 2/27/89	ASSEMBLY, RECEPTACLE, EUROCARD, TOOLLESS PRESSFIT, 96 POSITION	
MATERIAL HOUSING: ① CONTACT: ②	PRODUCT SPEC -	
FINISH CONTACT: ③ ⑦ ⑧ ⑨	APPLICATION SPEC -	SIZE D 00779
WEIGHT -	SCALE 4:1	DRAWING NO 535032
		SHEET 1 OF 1