

D Sub Connectors

Metalized Plastic EMI Junction Shell

3357-65XX Series



- Protection from EMI/ESD
- Easy assembly reduces time and labor to ensure low applied cost
- Light weight, compact design

Date Modified: September 29, 1999

TS-0032-07
Sheet 1 of 2

12

Physical

Shell

Material: ABS

Plating: Nickel Over Copper

Compression Insert

Material: PVC UL 94V-0

Durometer: 85

Hardware: (2) Jackscrews #4-40 × .450

(2) Saddle Washers

(2) Nuts 4-40 UNC

(2) Nuts 4-40 UNC for 9, 15 & 25 position

(3) Nuts 4-40 UNC for 37 position

(2) Screws 4-40 UNC for 9, 15 & 25 position

(3) Screws 4-40 UNC for the 37 position

Material: Steel

Plating: Zinc

Mounting Hardware: See Specification Sheet TS-0142

3M Interconnect Solutions Division

6801 River Place Blvd.
Austin, TX 78726-9000

For technical, sales or ordering information call
800-225-5373

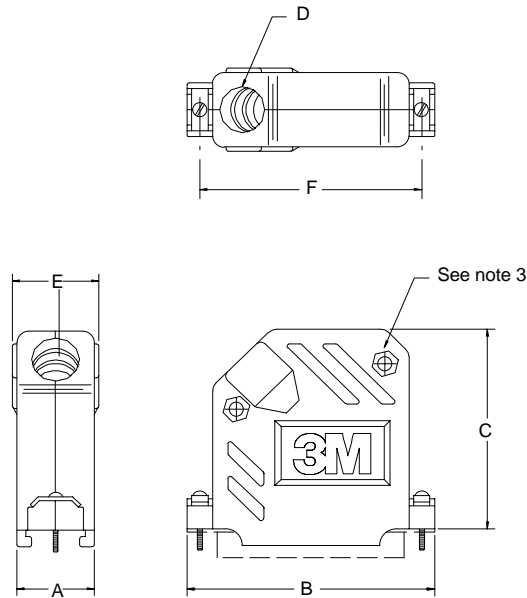
D Sub Connectors

Metalized Plastic EMI Junction Shell

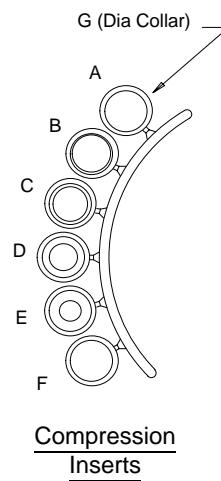
3357-65XX Series

Table 2 – Compression Inserts

Insert For	Dimensions												G
	A		B		C		D		E		F		
	OD	ID	OD	ID	OD	ID	OD	ID	OD	ID	OD	ID	
3357-6509	0.475 [12.07]	0.320 [8.13]	0.360 [9.14]	0.315 [8.00]	0.360 [9.14]	0.285 [7.24]	0.360 [9.14]	0.255 [6.48]	0.360 [9.14]	0.210 [5.33]	N/A	N/A	0.475 [12.07]
3357-6515													
3357-6525	0.600 [15.24]	0.450 [11.43]	0.450 [11.43]	0.410 [10.41]	0.450 [11.43]	0.370 [9.40]	0.450 [11.43]	0.300 [7.62]	0.450 [11.43]	0.230 [5.84]	N/A	N/A	0.600 [15.24]
3357-6537	0.655 [16.64]	0.570 [14.48]	0.700 [17.78]	0.620 [15.75]	0.810 [20.57]	0.650 [16.51]	0.655 [16.64]	0.500 [12.70]	0.655 [16.64]	0.425 [10.80]	0.655 [16.64]	0.330 [8.38]	0.810 [20.58]



Junction Shell



Compression Inserts

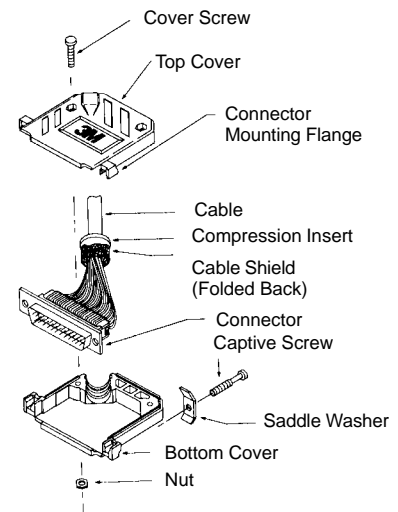


Table 1 – Junction Shell

3M Part Number	Dimensions						Cable O.D. Range		
	A	B	C	D	E	F	Min	Max	
3357-6509	0.64 [16.3]	1.23 [31.2]	1.47 [37.3]	0.40 [10.2]	0.64 [16.3]	0.984 [24.99]	0.19 [4.8]	0.35 [8.9]	
3357-6515		1.54 [39.1]	1.60 [40.6]			1.312 [33.32]			
3357-6525		2.09 [53.1]	1.74 [44.2]	0.52 [13.2]	0.71 [18.0]	1.857 [47.17]			0.46 [11.7]
3357-6537		2.73 [69.3]	1.80 [45.7]	0.73 [18.5]	0.88 [22.4]	2.500 [63.50]			0.30 [7.6]

Inch [mm]			
Tolerance Unless Noted			
	.0	.00	.000
Inch	± .1	± .01	± .005

[] Dimensions for Reference only

Ordering Information

3357-65XX

Note:

1. Compression inserts cannot be ordered separately.
2. Use applicable Jack Screw or Jack Socket Kit mounting hardware.
3. The 37 position shell has 3 cover screw holes.

Connector Size
 09 = 9 Position
 15 = 15 Position
 25 = 25 Position
 37 = 37 Position

TS-0032-07
 Sheet 2 of 2

3M Interconnect Solutions Division

6801 River Place Blvd.
 Austin, TX 78726-9000

For technical, sales or ordering information call
800-225-5373