

MICRO SWITCH

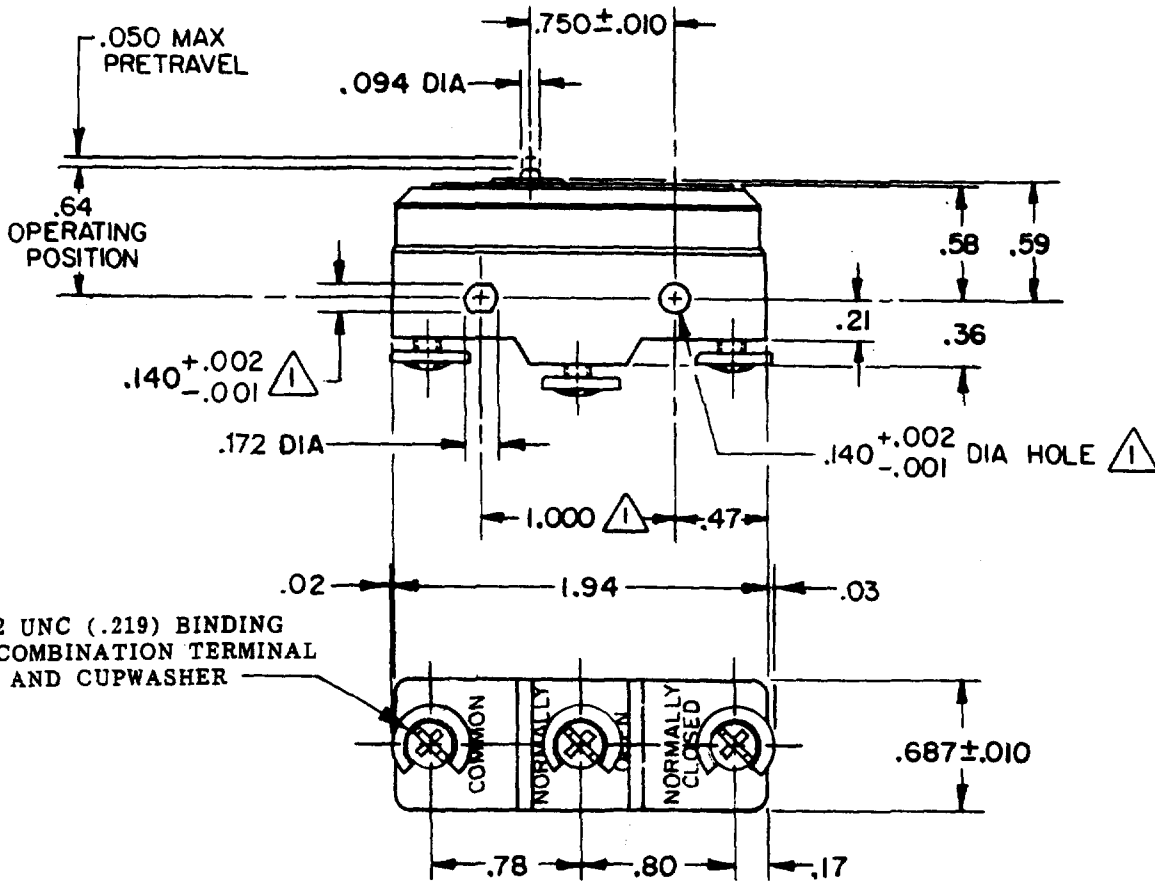
FREEMONT ILLINOIS, U.S.A.
A DIVISION OF HONEYWELL
FED. MFG. CODE 91929

SWITCH-BASIC

CATALOG LISTING

BA-2R-A4

ABF5000



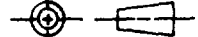
3X 8-32 UNC (.219) BINDING
HEAD COMBINATION TERMINAL
SCREW AND CUPWASHER

NOTES

- 1 MOUNTING HOLES WILL ACCEPT PINS OR SCREWS OF .139
MAX DIA ON 1.000 ± .002 CENTERS

THIS DRAWING COVERS A PROPRIETARY ITEM AND IS THE PROPERTY OF MICRO SWITCH, A DIVISION OF HONEYWELL. THIS DRAWING IS NOT TO BE COPIED OR USED WITHOUT THE APPROVAL OF MICRO SWITCH.

THIRD ANGLE PROJECTION



CHARACTERISTICS

OPERATING FORCE - - - - - 14-22 OZ
RELEASE FORCE - - - - - 10 OZ MIN
DIFFERENTIAL TRAVEL - - - .0020-.0075
OVERTRAVEL - - - - - .010 MIN

ELECTRICAL DATA

CONTACT ARRANGEMENT
S P D T

L145 20A 125, 250 OR 480 VAC
10A 125 VAC "L"
1 HP 125 VAC, 2 HP 250 VAC
1/2A 125 VDC, 1/4A 250 VDC
2A 600 VAC
L288
L308
L315
20(3)A 250V T85 5E4

SCALE FULL

DO NOT SCALE PRINT

TOLERANCES

APPLY TO DESIGN UNITS. CONVERSIONS ARE ONLY FOR REFERENCE. UNLESS NOTED, TOLERANCES ARE 2

	DWG. DIM.	TOL. mm/in	DWG. DIM.	TOL. mm/in
NO PLACES	X	1/.04	X.X	0.01/05
ONE PLACE	X.X	0.01/018	X.XX	0.001/018
TWO PLACES	X.XX	0.001/008	X.XXX	0.0001/008
THREE PLACES	X.XXX			
ANGLES				

DESIGN UNITS METRIC US CUSTOMARY

WEIGHT .063 LB

BA-2R-A4
 PAGE 1 OF 1
 M
 DRAWING NUMBER
 ISSUE 10
 REVISIONS
 A OBS DWG 27 JUN 86
 B PR-14878 RE-INST 28 JUN 86
 C COB010 28 JUN 86
 D CO-73287-G 20 OCT 83
 E CO-77588 28 JUN 86
 F KDR 28 MAR 94
 G DLT 23 SEP 98
 NM 20FEB06
 FORMTEK
 FO-52848-A
 DRAWN
 TAD 28 JUN 86
 CHECK KAG
 28 JUN 86
 CHECK KAG
 28 JUN 86
 RELEASE NO. PR-14878
 REPLACES