

NUMBER C-179609

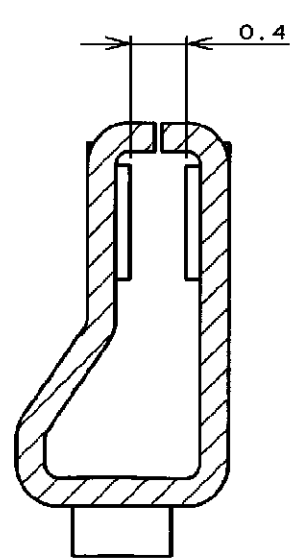
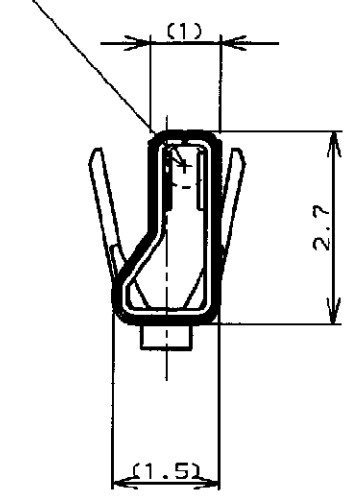


METRIC

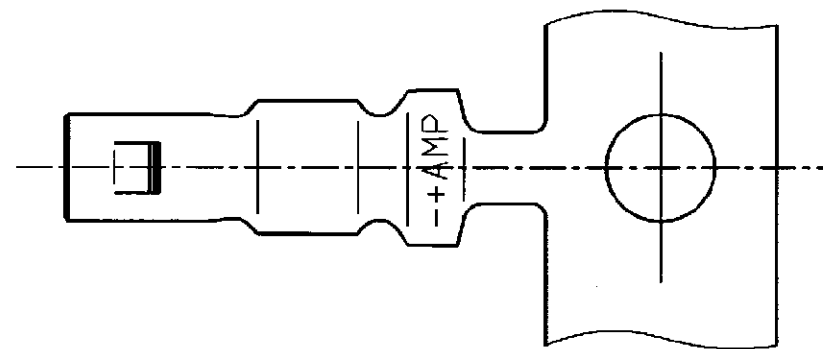
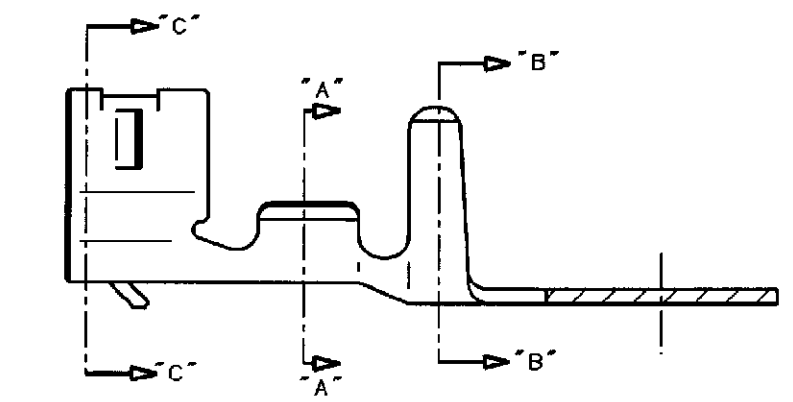
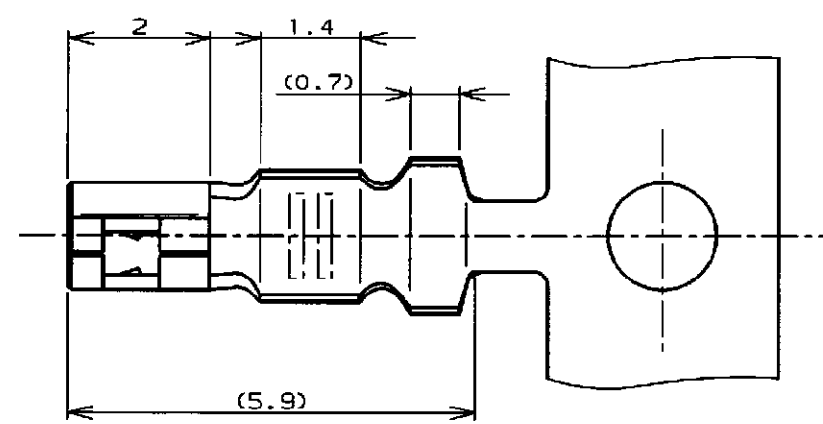
DIMENSIONS IN MILLIMETERS. DO NOT SCALE PRINT

PRINT DIST

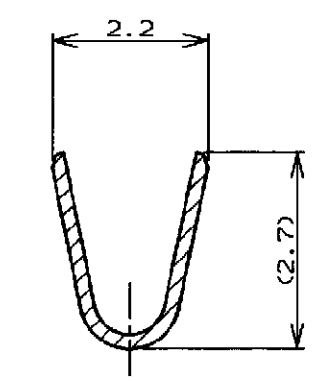
MATE 0.6 DIA POST
Ø0.6ポストと嵌合



SECT "C" - "C"
(SCALE 20-1)



SECT "A" - "A"



SECT "B" - "B"

注:

1. 使用ハウジングは型番 179228
2. 製品規格: 108-5408
3. 取付適用規格: 114-5179

NOTES,

1. USE HOUSING ; P/N 179228
2. PRODUCT SPEC ; 108-5408
3. APPLICATION SPEC ; 114-5179

PRE-TINNED PHOSPHOR BRONZE (0.2t) 錫めっき赤磷黄銅、(板厚0.2)	179609-1
MATERIAL & FINISH 材質	PART NO. 型番

Copyright ©1997 日本アンプ・エレクトロニクス株式会社	Copyright ©1997 AMP (Japan), LTD. ALL RIGHTS RESERVED.	AMP	AMP (JAPAN), LTD. Kawasaki, Japan
---------------------------------------	--	------------	--------------------------------------

WIRE RANGE 0.05 ~0.12 mm ² (AWG30-25)		INSULATION DIA 0.65-1.35 mmφ		NAME 圧着タイプIIリセコンタクト CRIMP TYPE II RECEPTACLE CONTACT (AMP CT CONNECTOR 2mm PITCH)				
MATERIAL SEE TABLE 表参照		FINISH SEE TABLE 表参照		GENERAL TOLERANCE		SIZE	LOC	NUMBER
DR. T. FURUYA CHK. S. KUBOUCHI		DE. T. FURUYA APP. S. Kubouchi		0≤ 10 : ±0.2 10≤ 30 : ±0.25 30≤ 100 : ±0.3 ANGLES : ±3°		B	J	C-179609
LTR REVISION RECORD				SCALE		REV.	SHEET	
				10-1		B ₁	1 OF 1	