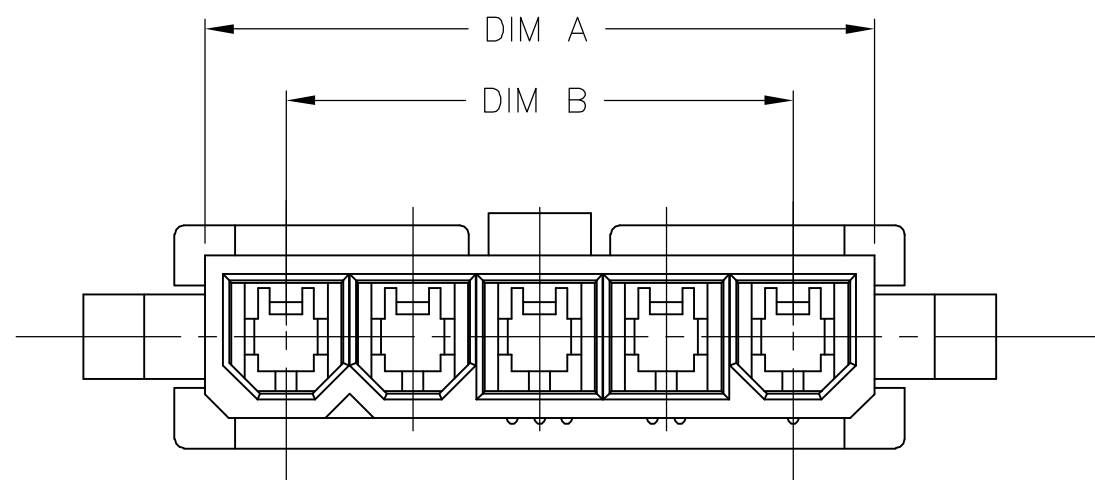
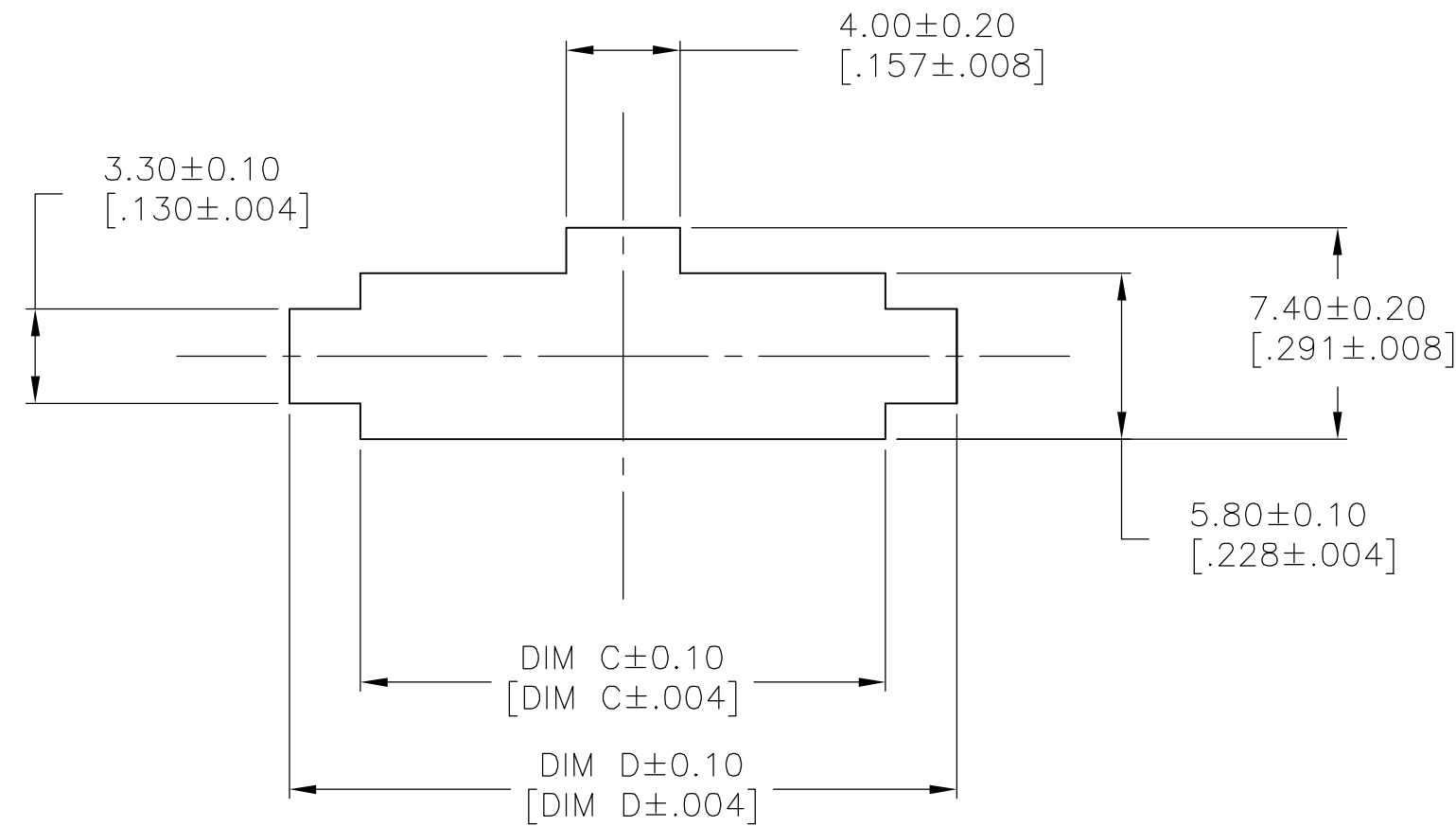
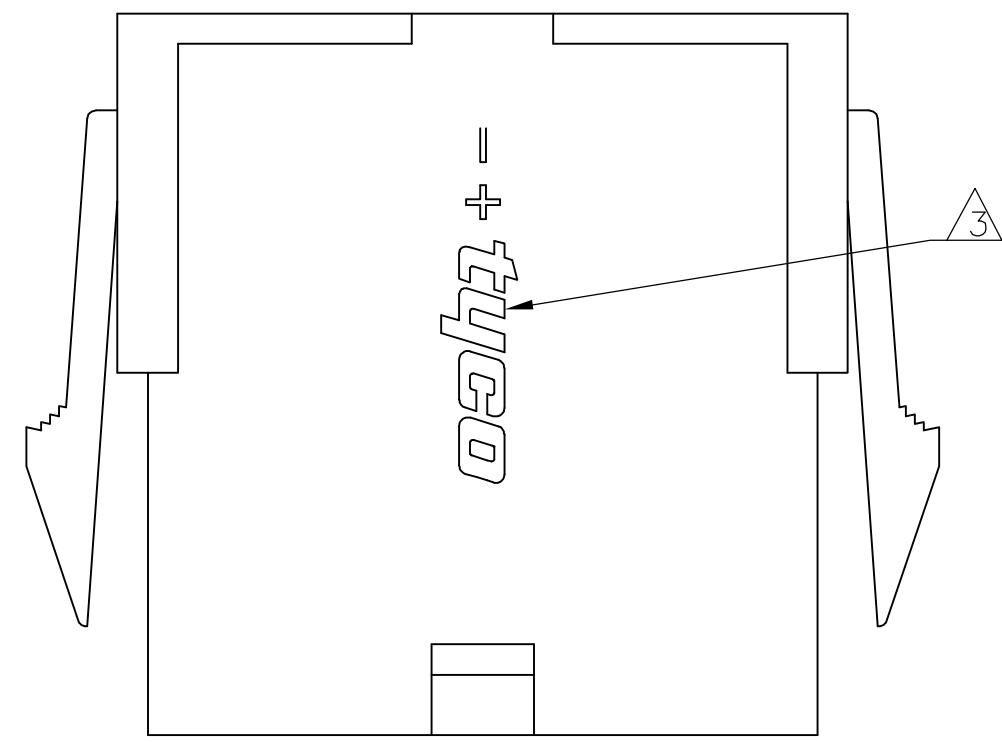
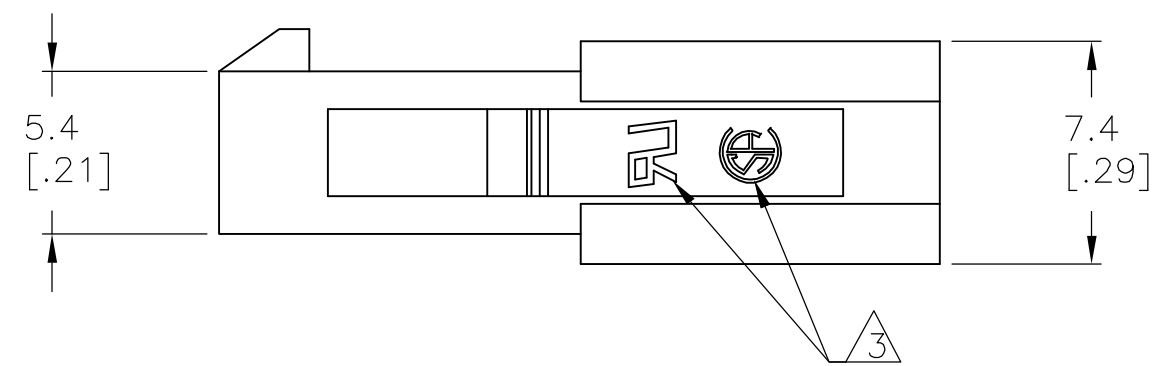


THIS DRAWING IS UNPUBLISHED. RELEASED FOR PUBLICATION  
 © COPYRIGHT BY TYCO ELECTRONICS CORPORATION. ALL RIGHTS RESERVED.

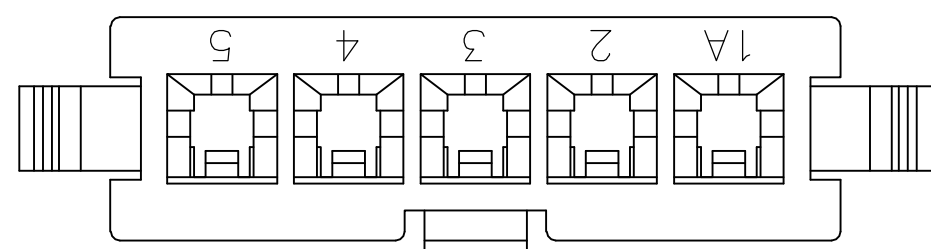
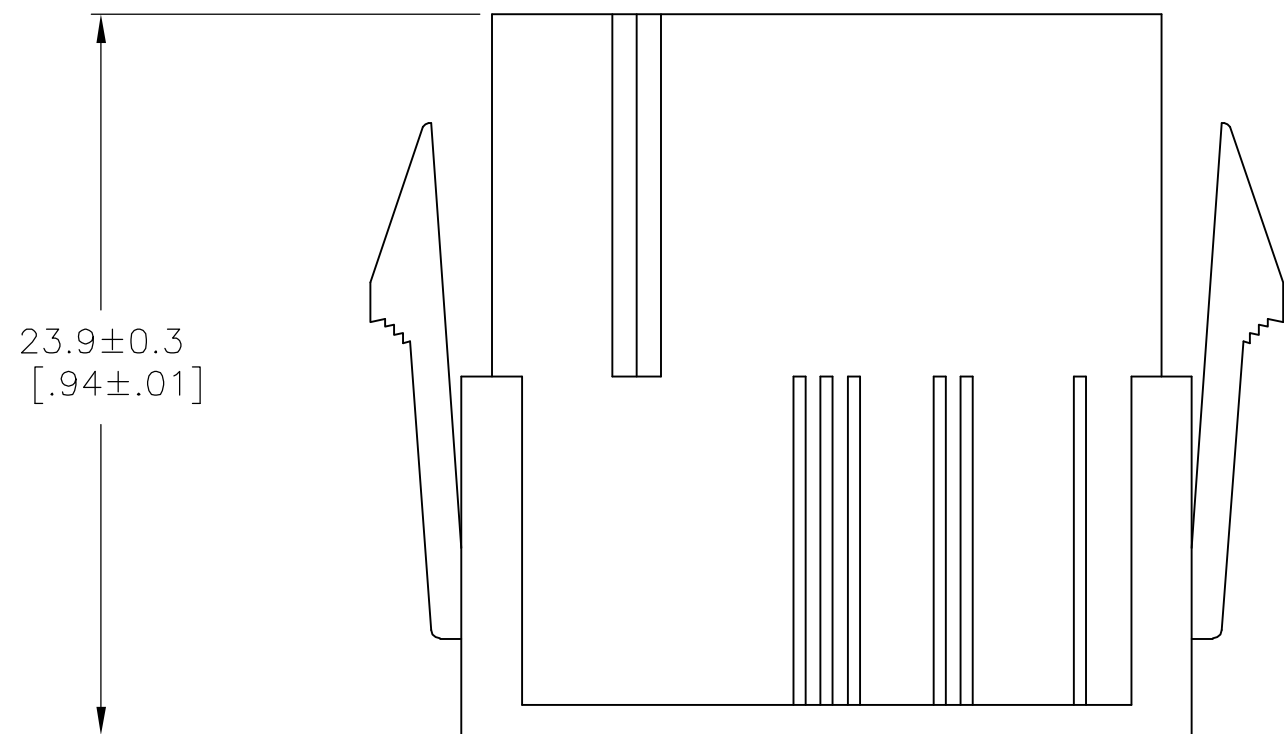
LOC		DIST		REVISIONS			
P	LTR	DESCRIPTION		DATE	DWN	APVD	
	A1	ECO-05-012923		09FEB06	BSV	DC	



RECOMMENDED CUT-OUT FOR 2.00 [.079] MAX THICK PANEL



- 1 MATERIAL: NYLON 66 UL94V-2.
- 2. PANEL SHOULD BE PUNCHED IN THE DIRECTION OF CONNECTOR INSERTION.
- 3 TYCO LOGO, UL LOGO, AND CSA LOGO - SIZE, LOCATION, AND ORIENTATION OPTIONAL.



27.6 [1.09]	22.6 [.89]	16.8 [.66]	22.2 [.87]	5	1586022-5
23.4 [.92]	18.4 [.72]	12.6 [.50]	18.0 [.71]	4	1586022-4
DIM D	DIM C	DIM B	DIM A	POS	PART NUMBER

THIS DRAWING IS A CONTROLLED DOCUMENT.		DWN S. HOOVER 08SEP03	Tyco Electronics Corporation Harrisburg, PA 17105-3608		
DIMENSIONS: mm [INCHES]		CHK D. COLEY 08SEP03	NAME PLUG, PANEL MOUNT, SINGLE ROW 4.2 mm		
TOLERANCES UNLESS OTHERWISE SPECIFIED: 0 PLC ± - 1 PLC ± 0.1 [.04] 2 PLC ± - 3 PLC ± - 4 PLC ± - ANGLES ± - FINISH -		APVD D. COLEY 08SEP03	APPLICATION SPEC		
MATERIAL 1		WEIGHT -	SIZE A2	CAGE CODE 00779	DRAWING NO C=1586022
CUSTOMER DRAWING			SCALE 4:1	SHEET 1 of 1	REV A1

**METRIC**