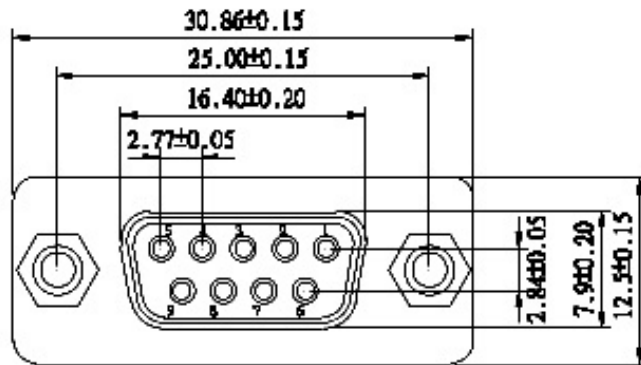
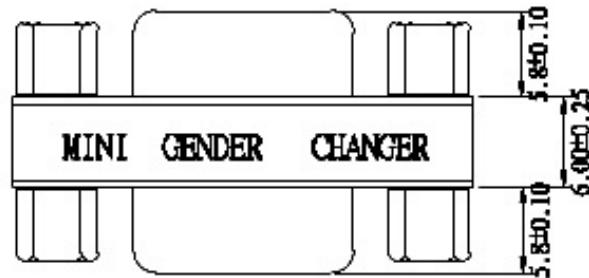
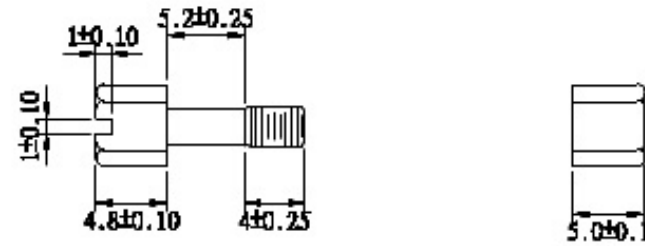
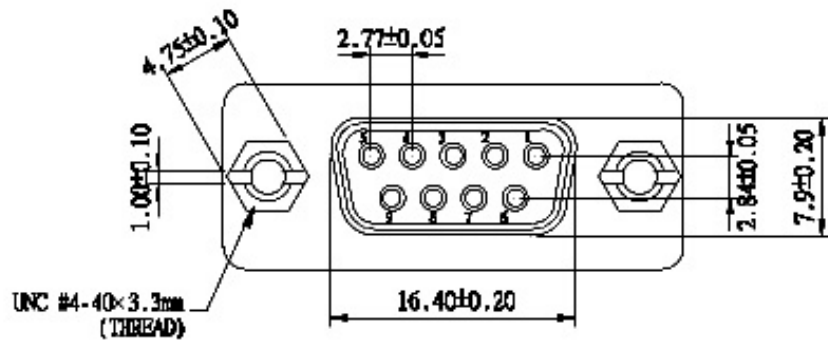


UNC #4-40 Hexscrew UNC #4-40 Hexnut



DGC 09 F/F GENDER CHANGER

PIN OUT: 9Female

9Female

1	-----	1
2	-----	2
8	-----	8
9	-----	9
G	-----	G

Label: yellow color with black character
One side: MINI GENDER CHANGER

The other side: U.S.A. PATENT 5199906

SPECIFICATION

INSULATOR: PBT Glass fibre reinforced UL 94 VO

CONTACT: Brass

CONTACT PLATING: Gold plated over nickel

SHELL: Tin Plated Shell

CURRENT RATING: 3 AMP

DIELECTRIC STRENGTH: 1000V AC for one minute

INSULATOR RESISTANCE: 1000MΩ min at 500V DC

TEMPERATURE: -55°C—+105°C

Fulfill ROHS Guideline

Edition
A01

SCALE
2:1

UNIT
mm

Page
1/1

WEIGHT: 0.8g
SPECIFIED WEIGHT: 0.8g

PART NO.

DGC 09 FF4B

DWG NO.

TD0003-02

DATE

5/Dec-2001



DRAWN

Fu Hao

CHECKED

APP'D

1

修改貼紙(R.O.C. PATENT 64341) 改為 MINI GENDER CHANGER

2001/12/5

Customer REVISION

DESCRIPTION

DATE