



MICRO SWITCH
 FREEPORT, ILLINOIS, U.S.A.
 A DIVISION OF HONEYWELL

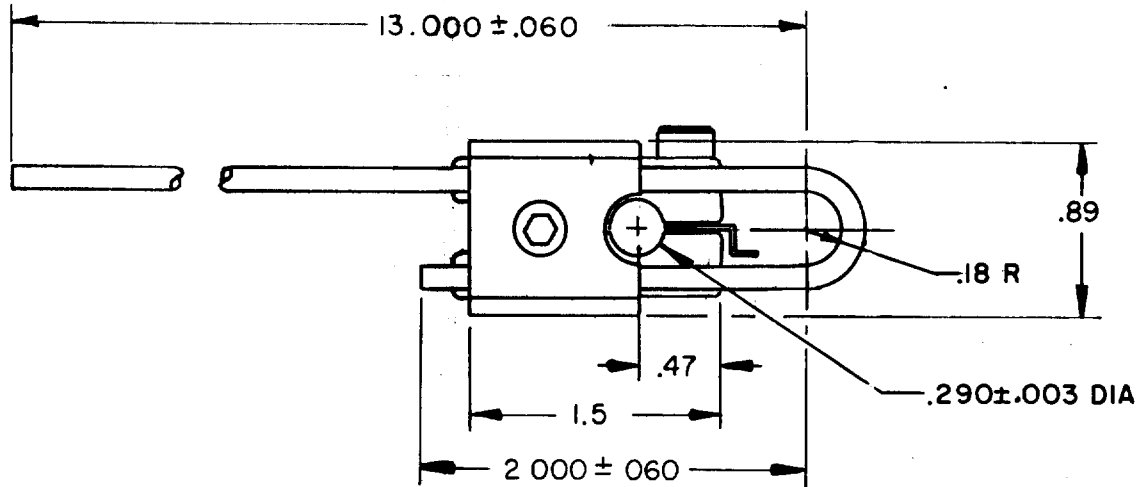
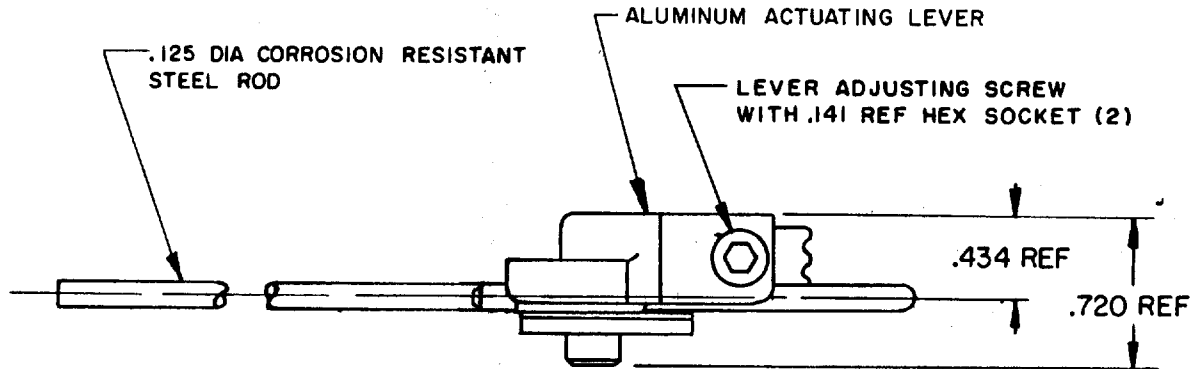
FED. MFG. CODE 91929

PACKET

CATALOG LISTING

6PA63

6PA63
 M
 DRAWING NUMBER
 38
 ISSUE
 7
 REVISIONS
 A CO18785
 O MW
 7 FEB 64
 B CO48294
 TSM
 2 SEPT 80
 C CO60129
 TSK
 6 JUL 88
 CHECK
 11 FEB 64
 CHECK
 DAW
 7 FEB 64
 CHECK
 DRAWN
 O MW
 7 FEB 64
 FO-50378



NOTE -
 1 - PARTS FURNISHED ASSEMBLED

THIS DRAWING COVERS A PROPRIETARY ITEM AND IS THE PROPERTY OF MICRO SWITCH, A DIVISION OF MINNEAPOLIS-HONEYWELL REGULATOR CO. THIS DRAWING IS NOT TO BE COPIED OR USED WITHOUT THE APPROVAL OF MICRO SWITCH.

CHARACTERISTICS	ELECTRICAL DATA	SCALE FULL
	CONTACT ARRANGEMENT	DO NOT SCALE PRINT
		UNLESS OTHERWISE NOTED DIMENSIONS ARE IN INCHES
		TOLERANCES ARE:
		ONE PLACE (.0) ±.030
		TWO PLACE (.00) ±.015
		THREE PLACE (.000) ±.005
		ANGLES ±
		WEIGHT