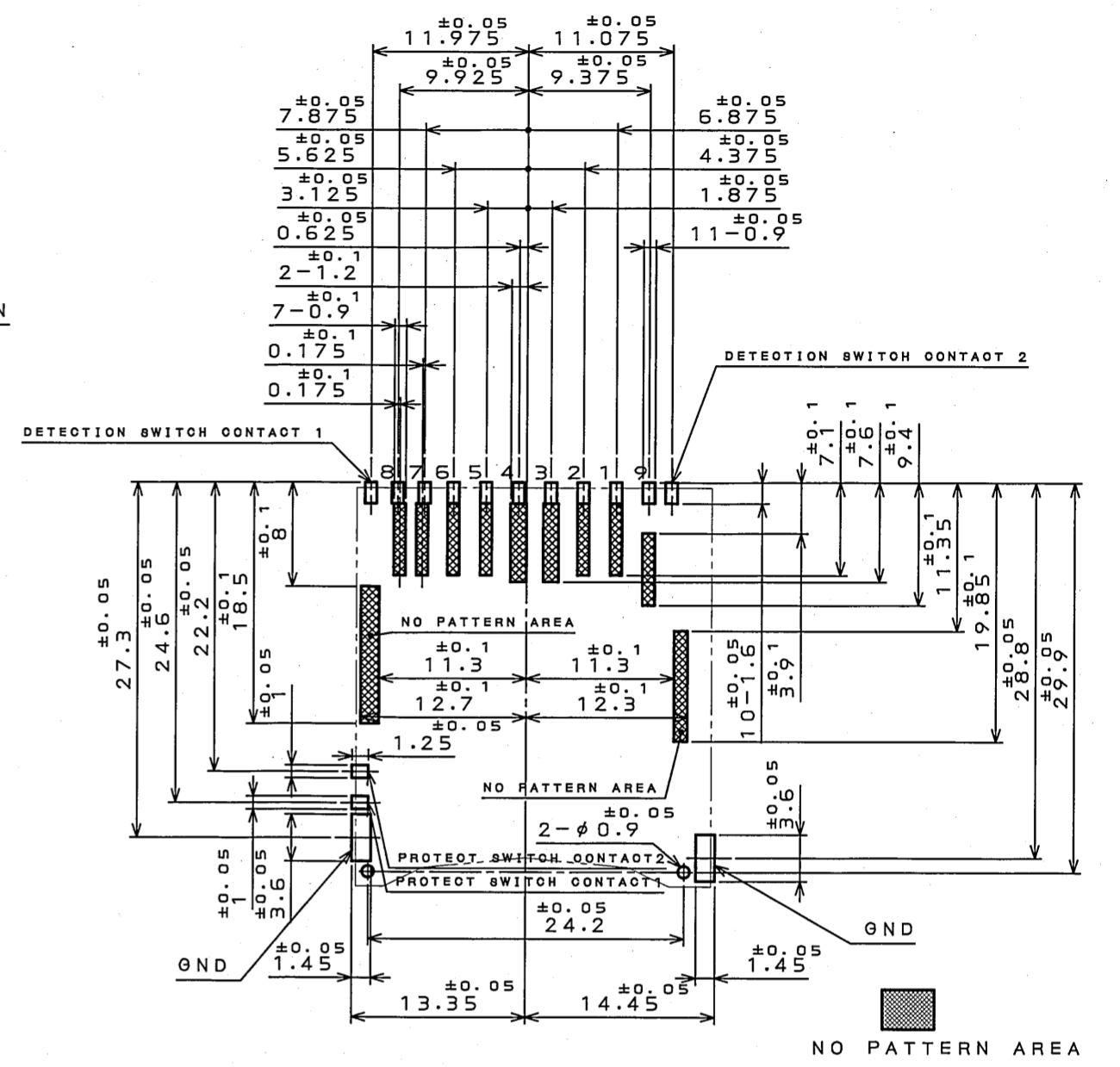
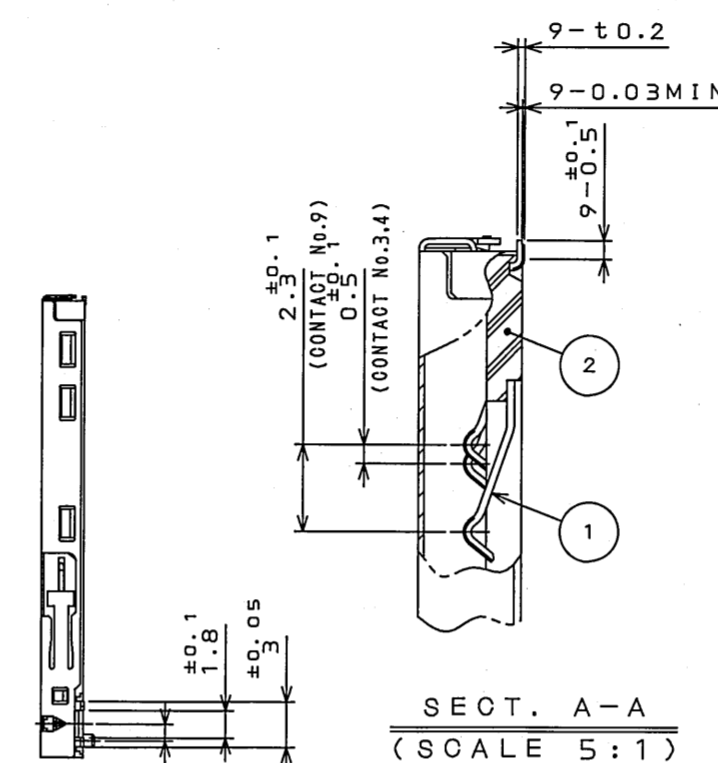
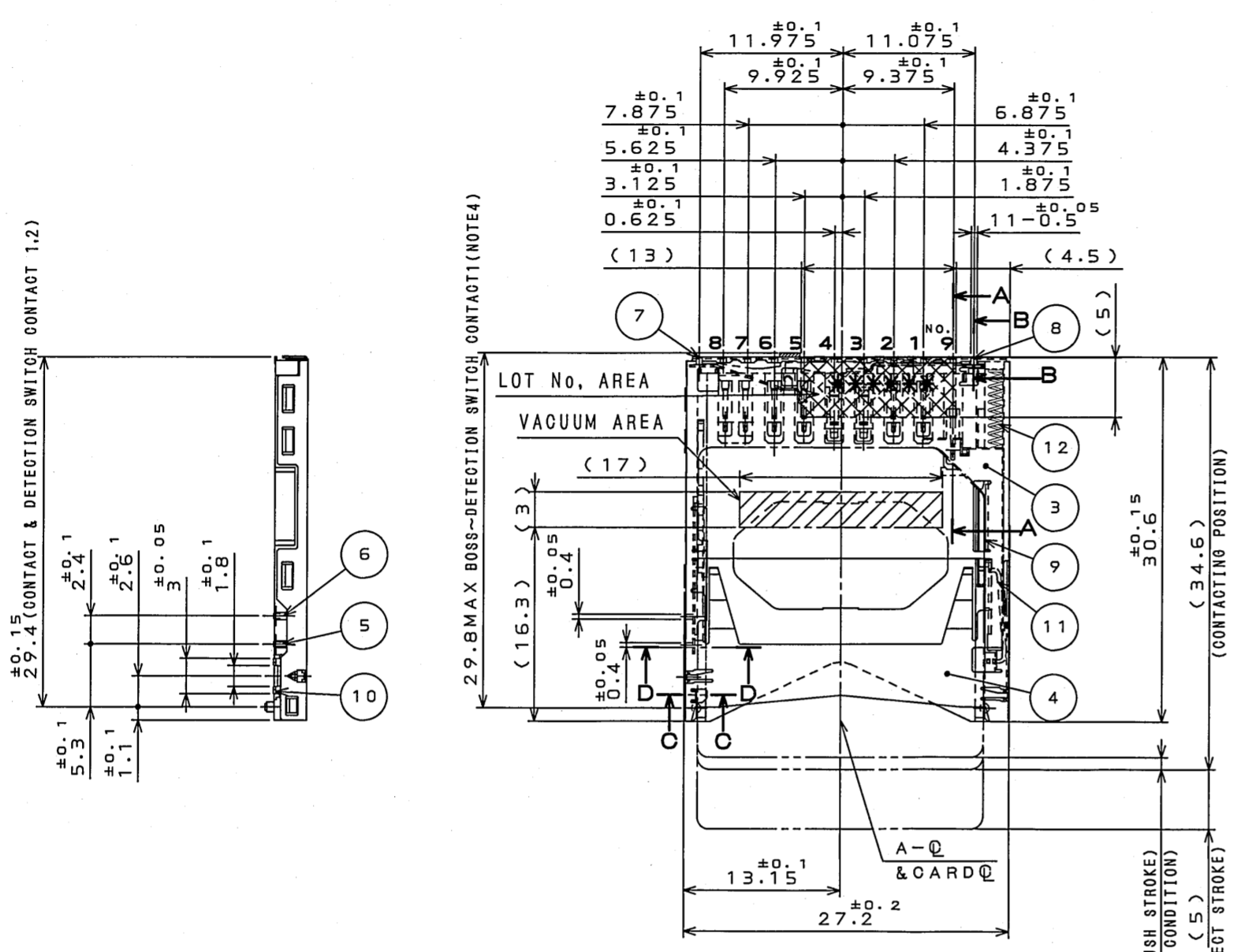
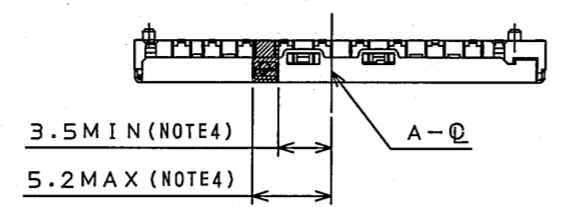
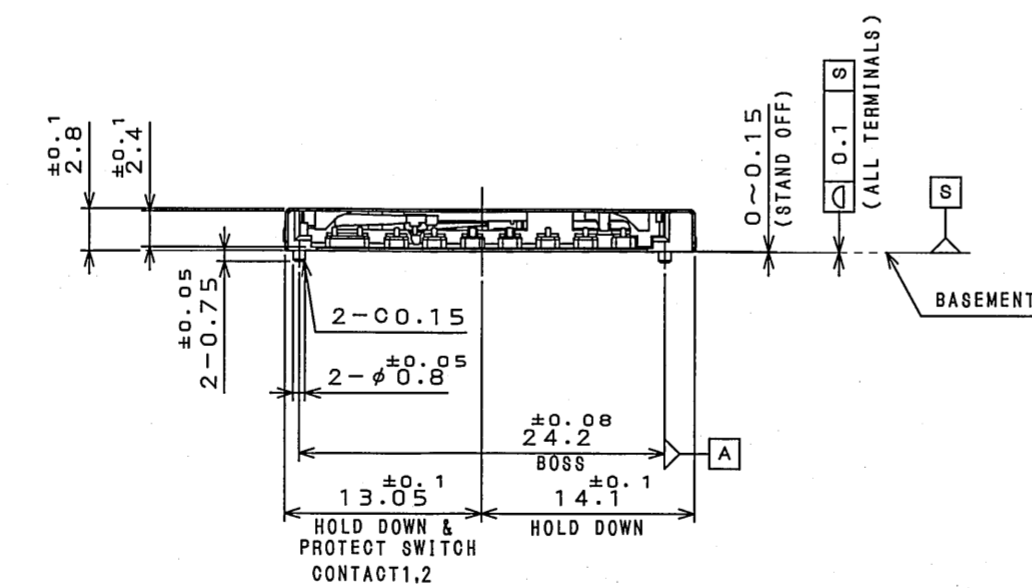
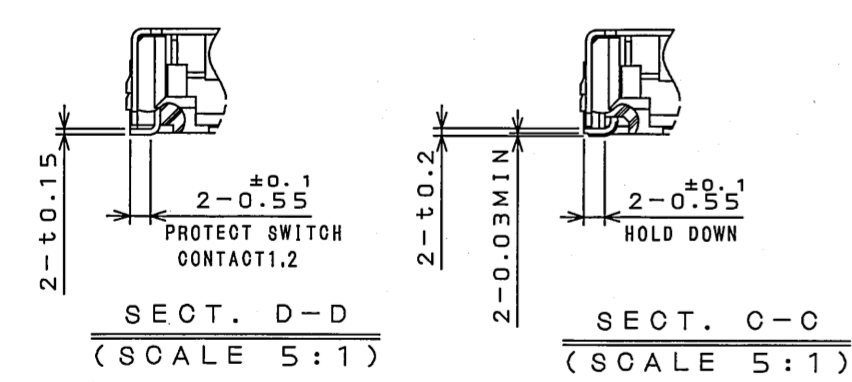
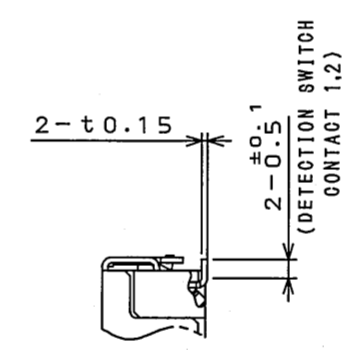


版数 REV.	年月日 DATE	DON NO.	変更内容 DESCRIPTION	製図 DR.	担当 CHK.	査閲 APPD.	承認 APPD.
2	21.Jan.2005	056356	CHANGED FORM		J.MOTOJIMA		A.Motani



APPLICABLE P.C.B. DIMENSION (REF.)
適合基板寸法(参考)



NOTE1. Card Frictional locking function is available for inserted SD card only but not for MMC.
NOTE2. The thickness of reinforcement board is 0.6MIN, when the product will mount on FPC.
NOTE3. CIRCUIT (TABLE.1) (REFERENCE)
NOTE4. External form dimensions in CARD FULL-PUSH condition. (No parts in this area.)

注1. カードロック機能は、SDカードのみの対応と致します。(MMCでは作動しません)
注2. FPC搭載時の補強板厚は0.6以上とする。
注3. 回路図(表1)(参考)
注4. カード突き当て状態における外形寸法(本領域に部品を搭載しないで下さい。)

TABLE 1. CIRCUIT (REF.)

	CARD INSERTED		
	WITHOUT CARD	WRITE PROTECT: LOCK	WRITE PROTECT: UNLOCK
PROTECT SWITCH	(5) ○ ○ (6) V GND	(5) ○ ○ (6) V GND	(5) ○ ○ (6) V GND
DETECTION SWITCH	(7) ○ ○ (8) V GND	(7) ○ ○ (8) V GND	(7) ○ ○ (8) V GND

12	SPRING	1	PIANO WIRE	ZINC PLATING	
11	CAM FOLLOWER	1	STAINLESS		
10	HOLD DOWN	2	COPPER ALLOY	GOLD FLASH OVER NICKEL	
9	CARD LOCK	1	STAINLESS		
8	DETECTION SWITCH CONTACT2	1	COPPER ALLOY	CONTACTING AREA: GOLD OVER NICKEL TERMINAL AREA: GOLD FLASH OVER NICKEL	
7	DETECTION SWITCH CONTACT1	1	COPPER ALLOY	CONTACTING AREA: GOLD OVER NICKEL TERMINAL AREA: GOLD FLASH OVER NICKEL	
6	PROTECT SWITCH CONTACT2	1	COPPER ALLOY	CONTACTING AREA: GOLD OVER NICKEL TERMINAL AREA: GOLD FLASH OVER NICKEL	
5	PROTECT SWITCH CONTACT1	1	COPPER ALLOY	CONTACTING AREA: GOLD OVER NICKEL TERMINAL AREA: GOLD FLASH OVER NICKEL	
4	COVER FRAME	1	STAINLESS		
3	EJECT BAR	1	GLASS FILLED Ny		UL94 V-0
2	HOUSING	1	GLASS FILLED LCP		UL94 V-0
1	CONTACT	9	COPPER ALLOY	CONTACTING AREA: GOLD OVER NICKEL TERMINAL AREA: GOLD FLASH OVER NICKEL	

符号 NO.	名称 DESCRIPTION	個数 QTY.	材料 MATERIAL	仕上 FINISH	備考 REMARKS
	仕様書(SPECIFICATION) JACS-1759-*		第一版(ORIGINAL DATE) 18.JUL.2003	尺度(SCALE) 2:1 シリーズ(SERIES) S95	日本航空電子工業株式会社 JAPAN AVIATION ELECTRONICS INDUSTRY, LTD. 図面番号(DRAWING NO.) SJ038633 版数(REV.) 2
製造 DR.	担当 CHK.	査閲 APPD.	承認 APPD.	製図 DR.	
	J.MOTOJIMA		K.SUZUKI		

DOF-0-213E(03.08)

