

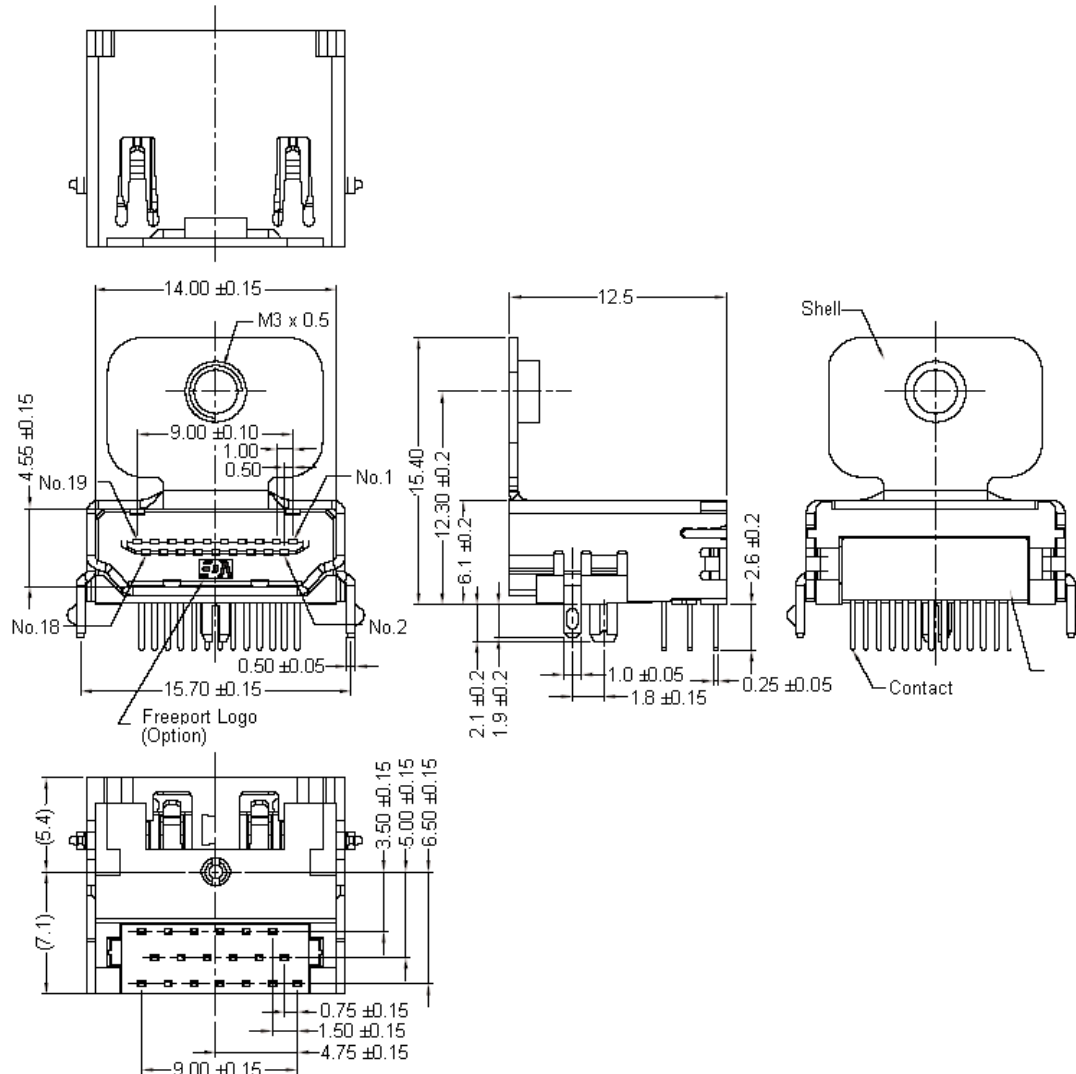


PART NO.

51L019S-36EN-B

REVISIONS

ECN #	REV	DESCRIPTION	DRAWN	DATE	CHECKD	DATE	APPRVD	DATE
-	A	RELEASED	Sumana	25/2/08	Suresh	25/2/08	G. C	11/3/08



Dimensions : Millimetres

Specifications:

Material:

- Housing : High Temperature Thermoplastic UL 94V-0 Rated.
- Cover : High Temperature Thermoplastic UL 94V-0.
- Contact : Copper Alloy.
- Contact Plating : Gold Plated over Nickel on Contact Area and 100µ" Minimum. Tin Plated over Nickel on Solder Tails.
- Shell Plating : Solderable Nickel Plated or Tin Plated or Gold Plated.

This data sheet and its contents (the "Information") belong to the Premier Farnell Group (the "Group") or are licensed to it. No licence is granted for the use of it other than for information purposes in connection with the products to which it relates. No licence of any intellectual property rights is granted. The Information is subject to change without notice and replaces all data sheets previously supplied. The Information supplied is believed to be accurate but the Group assumes no responsibility for its accuracy or completeness, any error in or omission from it or for any use made of it. Users of this data sheet should check for themselves the Information and the suitability of the products for their purpose and not make any assumptions based on information included or omitted. Liability for loss or damage resulting from any reliance on the Information or use of it (including liability resulting from negligence or where the Group was aware of the possibility of such loss or damage arising) is excluded. This will not operate to limit or restrict the Group's liability for death or personal injury resulting from its negligence. SPC MULTICOMP is the registered trademark of the Group. © Premier Farnell plc 2008.

TOLERANCES:
UNLESS OTHERWISE SPECIFIED, DIMENSIONS ARE FOR REFERENCE PURPOSES ONLY.

DRAWN BY:	DATE:
Sumana	25/02/08
CHECKED BY:	DATE:
Suresh	25/02/08
APPROVED BY:	DATE:
G.Cook	11/03/08

DRAWING TITLE:			
HDMI Header - Through Hole with Flange			
SIZE	DWG NO.	ELECTRONIC FILE	REV
A	M10000790	1428262_DWG	A
SCALE: NTS		U.O.M.: mm	SHEET: 1 OF 3

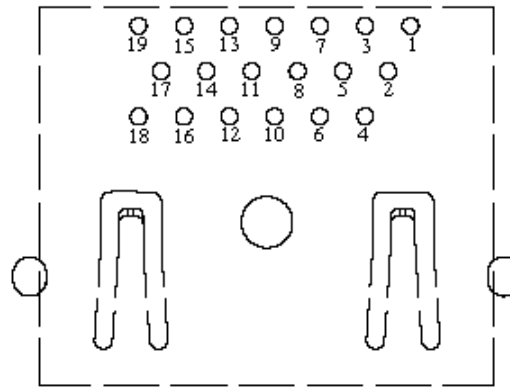
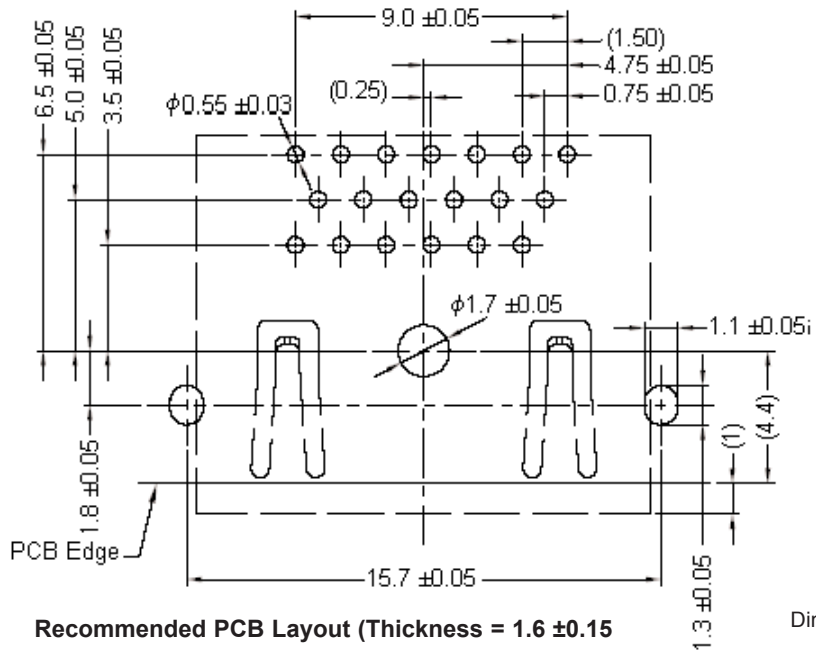


PART NO.

51L019S-36EN-B

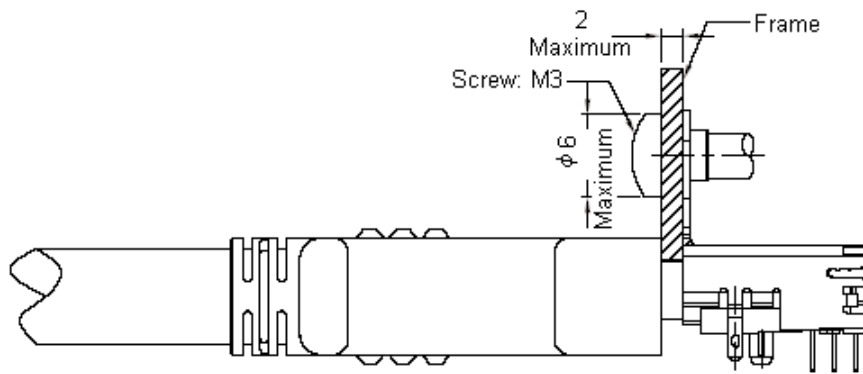
REVISIONS

ECN #	REV	DESCRIPTION	DRAWN	DATE	CHECKD	DATE	APPRVD	DATE
-	A	RELEASED	Sumana	25/2/08	Suresh	25/2/08	G. C	11/3/08



Pin Assignment

Dimensions : Millimetres



Reference Mount Dimension

This data sheet and its contents (the "Information") belong to the Premier Farnell Group (the "Group") or are licensed to it. No licence is granted for the use of it other than for information purposes in connection with the products to which it relates. No licence of any intellectual property rights is granted. The Information is subject to change without notice and replaces all data sheets previously supplied. The Information supplied is believed to be accurate but the Group assumes no responsibility for its accuracy or completeness, any error in or omission from it or for any use made of it. Users of this data sheet should check for themselves the Information and the suitability of the products for their purpose and not make any assumptions based on information included or omitted. Liability for loss or damage resulting from any reliance on the Information or use of it (including liability resulting from negligence or where the Group was aware of the possibility of such loss or damage arising) is excluded. This will not operate to limit or restrict the Group's liability for death or personal injury resulting from its negligence. SPC MULTICOMP is the registered trademark of the Group. © Premier Farnell plc 2008.

TOLERANCES:

UNLESS OTHERWISE SPECIFIED, DIMENSIONS ARE FOR REFERENCE PURPOSES ONLY.

DRAWN BY:

Sumana

CHECKED BY:

Suresh

APPROVED BY:

G.Cook

DATE:

25/02/08

DATE:

25/02/08

DATE:

11/03/08

DRAWING TITLE:

HDMI Header - Through Hole with Flange

SIZE
A

DWG NO.

M10000790

ELECTRONIC FILE
1428262_DWG

REV
A

SCALE: NTS

U.O.M.: mm

SHEET: 2 OF 3



PART NO.

51L019S-36EN-B

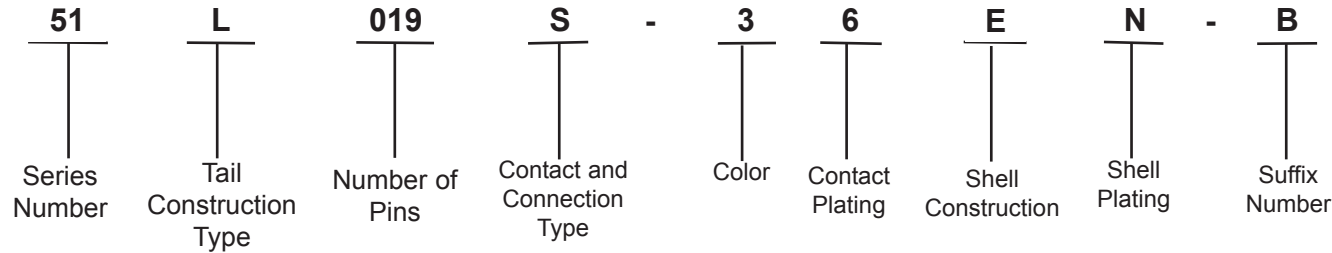
REVISIONS

ECN #	REV	DESCRIPTION	DRAWN	DATE	CHECKD	DATE	APPRVD	DATE
-	A	RELEASED	Sumana	25/2/08	Suresh	25/2/08	G. C	11/3/08

Specification Table

Description	Number of Positions	Part Number
ROHS Compliant	19	51L019S-36EN-B

Part Number Explanation:



- Series Number** : 51 = HDMI Connector.
- Tail Construction Type** : L = Right Angle PCB Through Hole Type.
- Number of Pins** : 019 = 19 Positions.
- Contact and Connection Type** : S = Socket (Receptacle).
- Color** : 3 = Black.
- Contact Plating** : 6 = 30µ" Gold Plated on the Contact Area and Gold Flash Plated on the Solder Area.
- Shell Construction** : E = Low Profile, With Ribbing, With Flange and Spring Latch. Shell Tail is Through Hole Type.
- Shell Plating** : N = Solderable Nickel Plated.
- Suffix Number** : B = Without Freeport Logo.

<http://www.farnell.com>
<http://www.newark.com>
<http://www.cpc.co.uk>

This data sheet and its contents (the "Information") belong to the Premier Farnell Group (the "Group") or are licensed to it. No licence is granted for the use of it other than for information purposes in connection with the products to which it relates. No licence of any intellectual property rights is granted. The Information is subject to change without notice and replaces all data sheets previously supplied. The Information supplied is believed to be accurate but the Group assumes no responsibility for its accuracy or completeness, any error in or omission from it or for any use made of it. Users of this data sheet should check for themselves the Information and the suitability of the products for their purpose and not make any assumptions based on information included or omitted. Liability for loss or damage resulting from any reliance on the Information or use of it (including liability resulting from negligence or where the Group was aware of the possibility of such loss or damage arising) is excluded. This will not operate to limit or restrict the Group's liability for death or personal injury resulting from its negligence. SPC MULTICOMP is the registered trademark of the Group. © Premier Farnell plc 2008.

TOLERANCES: UNLESS OTHERWISE SPECIFIED, DIMENSIONS ARE FOR REFERENCE PURPOSES ONLY.	DRAWN BY:	DATE:	DRAWING TITLE: HDMI Header - Through Hole with Flange			
	Sumana	25/02/08				
	CHECKED BY:	DATE:	SIZE A	DWG NO. M10000790	ELECTRONIC FILE 1428262_DWG	REV A
	Suresh	25/02/08				
	APPROVED BY:	DATE:	SCALE: NTS		U.O.M.: mm	
G.Cook	11/03/08					