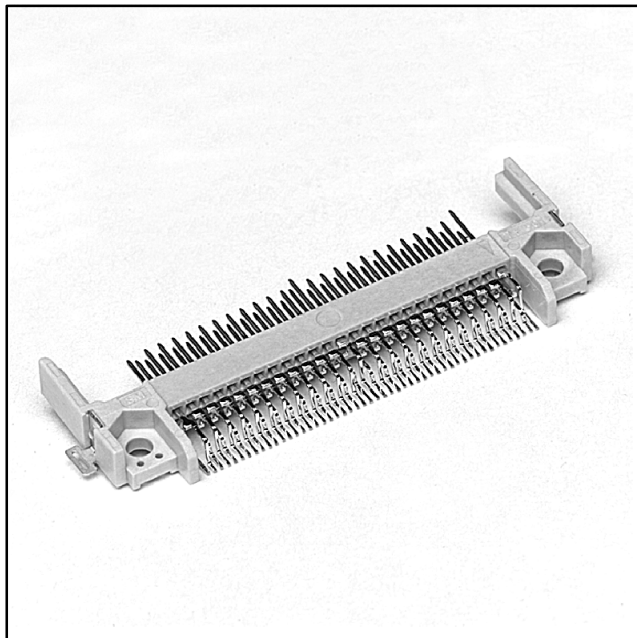


3M™ CF Card Header

CompactFlash™ Type I, Low Profile, Surface Mount



- Meets CFA standards
- 4.0 mm low profile height
- Single row solder tails with 0.635 mm spacing
- Ejector option for easy removal of CF Card

Date Modified: May 30, 2003

TS-0747-12
Sheet 1 of 3

Physical

Insulation

Material: Liquid Crystal Polyester (LCP)
Flammability: UL 94V-0
Color: Beige

Contact

Material: Copper Alloy

Plating

Underplate: 100 μ" [2.54 μm] Nickel — QQ-N-290, Class 2
Wiping Area: Gold Flash over 80/20 Palladium Nickel
Solder Tails: 50 μ" [1.27 μm] 85/15 Tin Lead — MIL-P-81728

Electrical

Current Rating: .5 A
Insulation Resistance: $>1 \times 10^9 \Omega$ at 500 Vdc
 $>1 \times 10^8 \Omega$ at 500 Vdc after Environmental Conditioning
Withstanding Voltage: 500 Vrms at Sea Level

Environmental

Temperature Rating: -55°C to +85°C
Process Rating: Maximum 235°C, with 90 seconds over 215°C

CompactFlash is a registered trademark of the SanDisk Corporation.

UL File No.: E68080

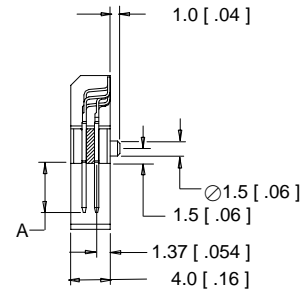
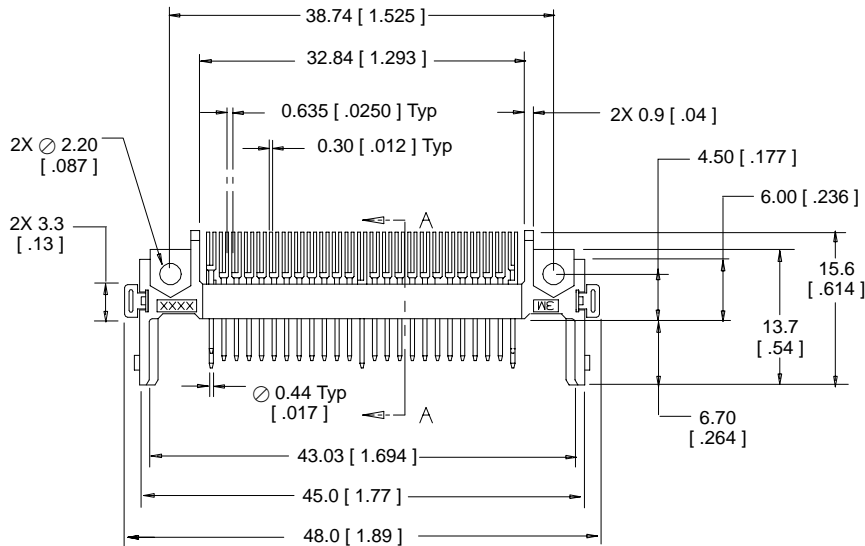
3M
Interconnect Solutions
<http://www.3M.com/interconnects/>

3M is a trademark of 3M Company.
For technical, sales or ordering information call
800-225-5373

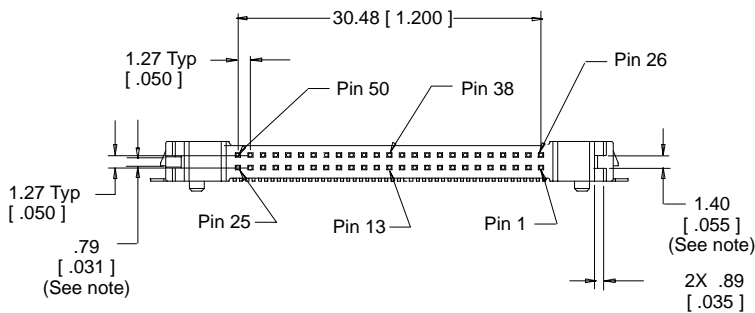
3M™ CF Card Header

CompactFlash™ Type I, Low Profile, Surface Mount

Pin Type	Interface Dim A	Pin No.
detect	3.50 [.137]	25, 26
general	4.25 [.167]	all other pins
power	5.00 [.196]	1, 13, 38 & 50



Section A-A



mm [Inch]		
Tolerance Unless Noted		
	.0	.00
	.000	
mm	± .3	± .15

[] Dimensions for Reference only

Note: Inverse (Option "A") style shown. For Normal style rotate polarization keys and pin call outs 180°.

Ordering Information

N7E50-X516XX-30

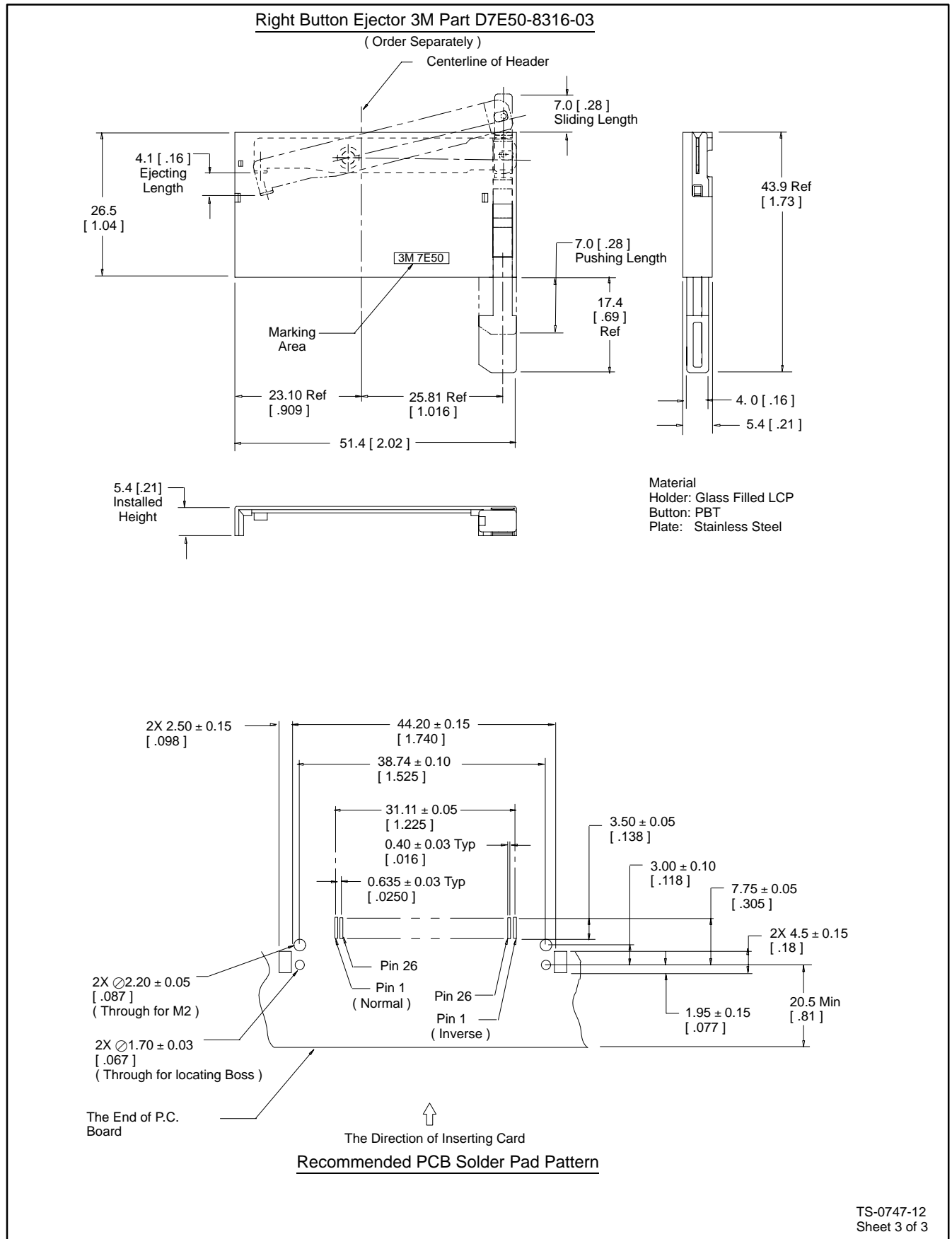
Options: CF Card Polarization / Solder Tabs / Ejector:
 A = Inverse / with solder tab / ejector acceptable
 C = Normal / without solder tab / ejector not acceptable
 D = Normal / with solder tab / ejector not acceptable
 E = Normal / with solder tab / ejector acceptable

Options: Plating
 VY = Au Flash over 20µ" [0.50µm] PdNi
 VU = Au Flash over 25µ" [0.64µm] PdNi

TS-0747-12
 Sheet 2 of 3

3M™ CF Card Header

CompactFlash™ Type I, Low Profile, Surface Mount



TS-0747-12
Sheet 3 of 3

Important Notice

All statements, technical information, and recommendations related to 3M's products are based on information believed to be reliable, but the accuracy or completeness is not guaranteed. Before using this product, you must evaluate it and determine if it is suitable for your intended application. You assume all risks and liability associated with such use. Any statements related to the product which are not contained in 3M's current publications, or any contrary statements contained on your purchase order shall have no force or effect unless expressly agreed upon, in writing, by an authorized officer of 3M.



Electronic and Interconnect Solutions Division

6801 River Place Blvd.
Austin, TX 78726-9000
www.3M.com/eisd

Warranty; Limited Remedy; Limited Liability.

This product will be free from defects in material and manufacture for a period of 1 year from the date of purchase. **3M MAKES NO OTHER WARRANTIES INCLUDING, BUT NOT LIMITED TO, ANY IMPLIED WARRANTY OF MERCHANTABILITY OR FITNESS FOR A PARTICULAR PURPOSE.** If this product is defective within the warranty period stated above, your exclusive remedy shall be, at 3M's option, to replace or repair the 3M product or refund the purchase price of the 3M product. **Except where prohibited by law, 3M will not be liable for any loss or damage arising from this 3M product, whether direct, indirect, special, incidental or consequential regardless of the legal theory asserted.**