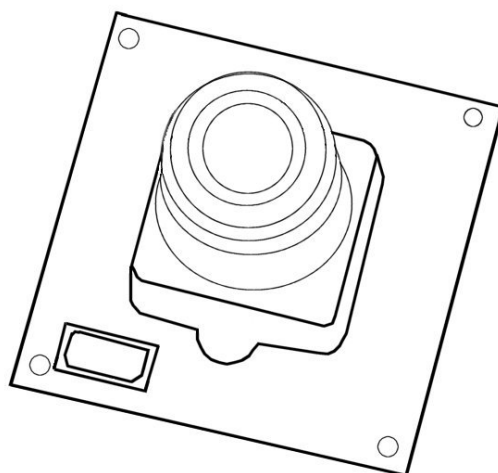


GC400

GENIE

Colour PCB Camera



Technical Data

CCD	1/4" Sharp CCD
PCB size	32mm x 32mm
Pixels	290,000
Resolution	330 TVL
Minimum Illumination	1lux
Shutter Speed	1/50 – 1/100,000 sec
Backlight Compensation	YES - Automatic
S/N Ratio	> 45dB
Video Output	1.0V P-P Composite
Power	12v DC Regulated
Consumption	Max 100mA
Audio	Optional
Lens	3.7mm (2.1,2.5,2.9,4.3,6,8,12 &16mm options + Conical Pinhole - CP)

Genie CCTV Ltd reserves the right to alter specifications without notice.