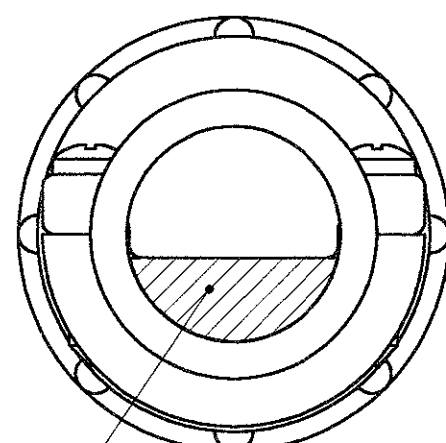
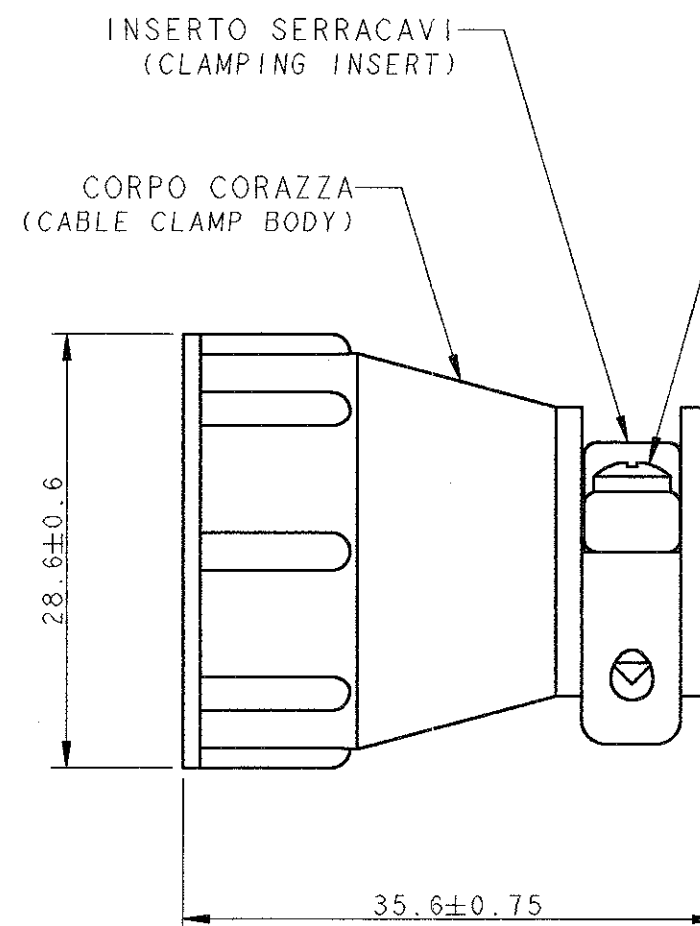


LOC	DIST	REVISIONS			
P	LTR	DESCRIPTION	DATE	DWN	APVD
		B REDRAWN, ET00-0311-00	13/DEC/00	RF	CT
		C Changed screw according to RoHS	28/07/05 ECR7789	AV	GT



AREA SERRAGGIO CAVI
(CLAMPING AREA) 3



- 1) MATERIALE : TERMOPLASTICO, COLORE NERO
(MATERIAL : THERMOPLASTIC, BLACK COLOUR)
- 2) PARTICOLARI FORNITI NON ASSEMBLATI IN SACCHETTO DI PLASTICA
(PARTS PACKAGED UNASSEMBLED INTO A PLASTIC BAG)
- 3 L'AREA SERRAGGIO CAVI E' VARIABILE DA 6.45 A 103.9 mm²
IN FUNZIONE DEL TIPO E POSIZIONE DELL'INSERTO SERRACAVO
(CABLE CLAMPING AREA ADJUSTABLE FROM .010 TO .410 SQ. IN.
BY SELECTING AND REVERSING CLAMPING INSERTS)
- 4) QUESTO CONNETTORE E' RICONOSCIUTO E CERTIFICATO
(THIS CONNECTOR IS UL RECOGNIZED AND CSA CERTIFIED)
- 5) Ø MAX DEL FASCIO CAVI = 11.5 mm.
(MAXIMUM CABLE O.D. = .453 IN.)

P/N 182655-1 COME RAPPRESENTATO
(P/N 182655-1 AS SHOWN)

THIS DRAWING IS A CONTROLLED DOCUMENT FOR AMP INCORPORATED. IT IS SUBJECT TO CHANGE AND THE CONTROLLING ENGINEERING ORGANIZATION SHOULD BE CONTACTED FOR THE LATEST REVISION.		DWN R. FABRIS	06DEC00	AMP	AMP Italia S.p.A.	
DIMENSIONS: mm		CHK -	-		C.so F.lli Cervi, 15 COLLEGNO (TO)	
TOLERANCES UNLESS OTHERWISE SPECIFIED:		APVD C. TARTARI	-	NAME C.P.C. CABLE CLAMP KIT		
0 PLC ± 1 PLC ± 2 PLC ± ±0.3 3 PLC ± 4 PLC ± ANGLES ±2°		PRODUCT SPEC 108-10024	-	SIZE A3		
MATERIAL -		APPLICATION SPEC -	-	CAGE CODE 00779	DRAWING NO C-182655	
FINISH -		WEIGHT -	-	SCALE 2:1		
CUSTOMER DRAWING				SHEET	OF	REV C