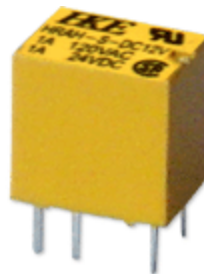


HRA(H) Relay

1-1.Nominal Voltage	3 to 24 VDC
1-2.Coil Resistance	Refer to Table 1
1-3.Operate Voltage	Refer to Table 1
1-4.Release Voltage	Refer to Table 1
1-5.Nominal Power Consumption	330 to 450 mW



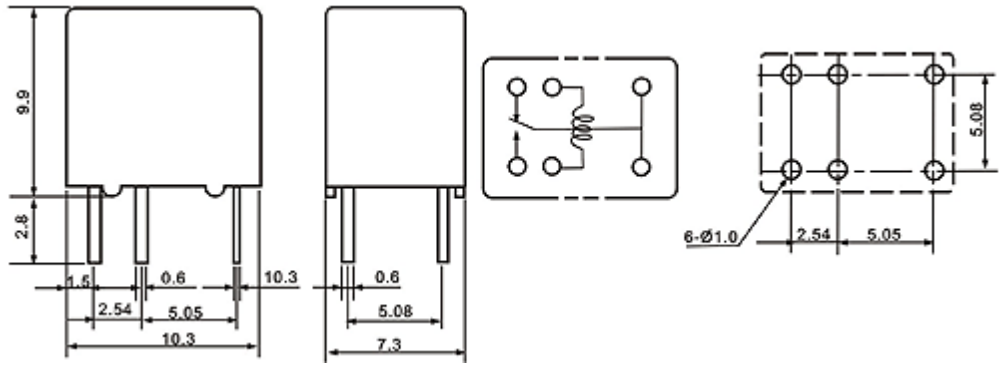
2.CONTACT DATA

2-1.Contact Arrangement	1 Form C	
2-2.Contact Material	AuAg	
2-3.Contact Rating	1A 24 VDC / 120VAC	
2-4.Max. Switching Voltage	30 VDC / 120 VAC	
2-5.Max. Switching Current	2A	
2-6.Max. Switching Power	120 VA , 30W	
2-7.Contact Resistance (Initial)	≤ 50 mΩ at 6 VDC 1A	
2-8.Life Expectancy	Electrical	100,000 operations at nominal load
	Mechanical	10,000,000 operations

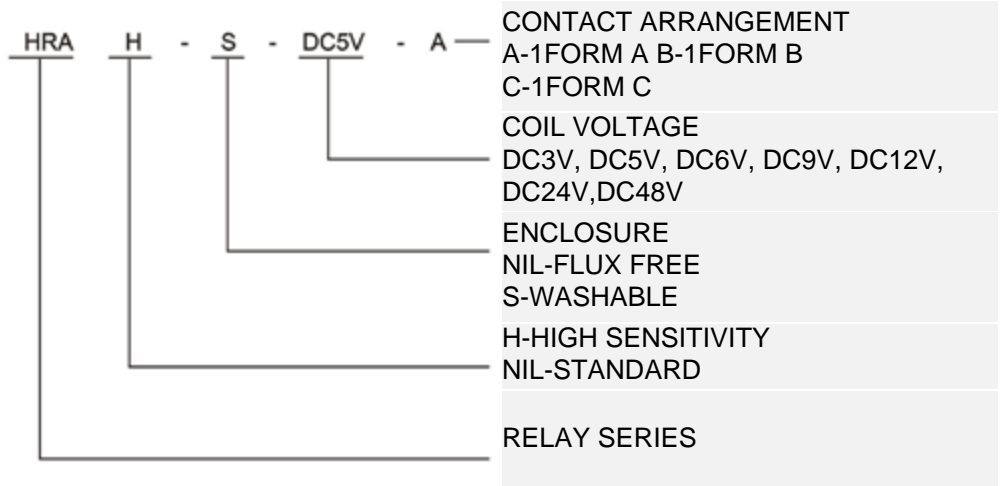
3.GENERAL DATA

3-1.Insulation Resistance	Min.100MΩ at 500 VDC	
3-2.Dielectric Strength	500VAC , 1min between open contacts 1,000VAC , 1min between contacts and coil	
3-3.Operate Time	Max. 6ms	
3-4.Release Time	Max. 4ms	
3-5.Temperature Range	-25 to +70 °C	
3-6.Shock Resistance	Endurance	1,000m/s ²
	Misoperation	100m/s ²
3-7.Vibration Resistance	Endurance	10 to 55 Hz ,1.5mm Double Amplitude
	Misoperation	10 to 55 Hz ,1.5mm Double Amplitude
3-8.Heating	80±2%±96hs	
3-9.Cold	-40±2%±96hs	
3-10.Humidity	85%RH	
3-11.Weight	1.7gr.	
3-12.Safety Standard	UL NO.E164730	

4.DIMENSIONS (in mm)



5.ORDERING CODE



6.COIL DATA CHART

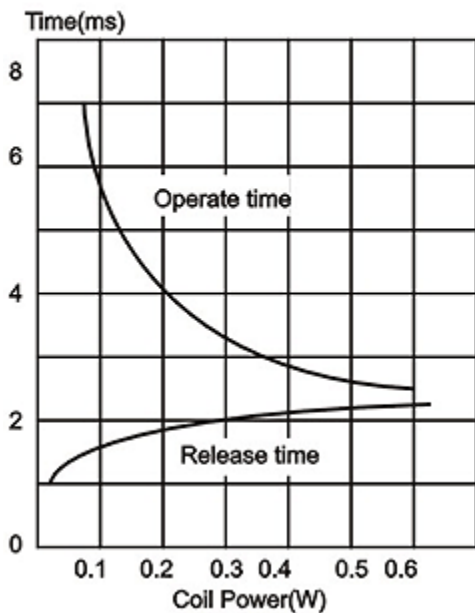
at20jæ

ORDERING CODE	COIL VOLTAGE VDC	COIL RESISTANCE I_c +/- 10%	OPERATE VOLTAGE VDC	RELEASE VOLTAGE VDC	POWER CONSUMPTION mW
HRA-(S)-DC3V	3	20	2.1	0.15	450
HRA-(S)-DC5V	5	55	3.5	0.25	
HRA-(S)-DC6V	6	80	4.2	0.30	
HRA-(S)-DC9V	9	180	6.3	0.45	
HRA-(S)-DC12V	12	320	8.4	0.60	
HRA-(S)-DC24V	24	1280	16.8	1.20	
HRAH-(S)-DC3V	3	28	2.1	0.15	330
HRAH-(S)-DC5V	5	75	3.5	0.25	
HRAH-(S)-DC6V	6	110	4.2	0.30	
HRAH-(S)-DC9V	9	250	6.3	0.45	
HRAH-(S)-DC12V	12	440	8.4	0.60	
HRAH-(S)-DC24V	24	1560	16.8	1.20	

Table1

7.HRA(H) CHARACTERISTIC DATA

Timing

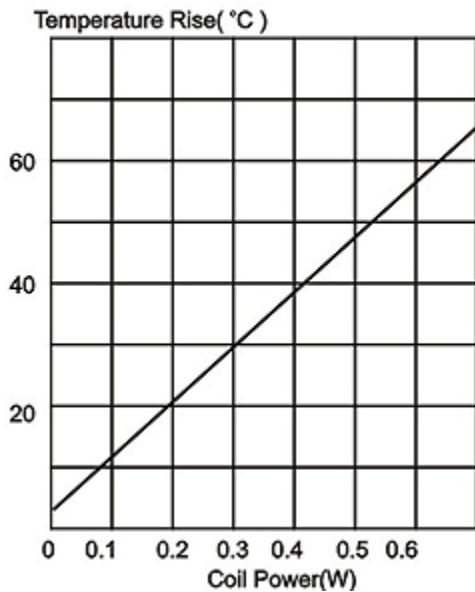


Life Curve

ii

Life Curve

Coil Temperature Rise



Maximum Switching Power

ii

Maximum Switching Power

