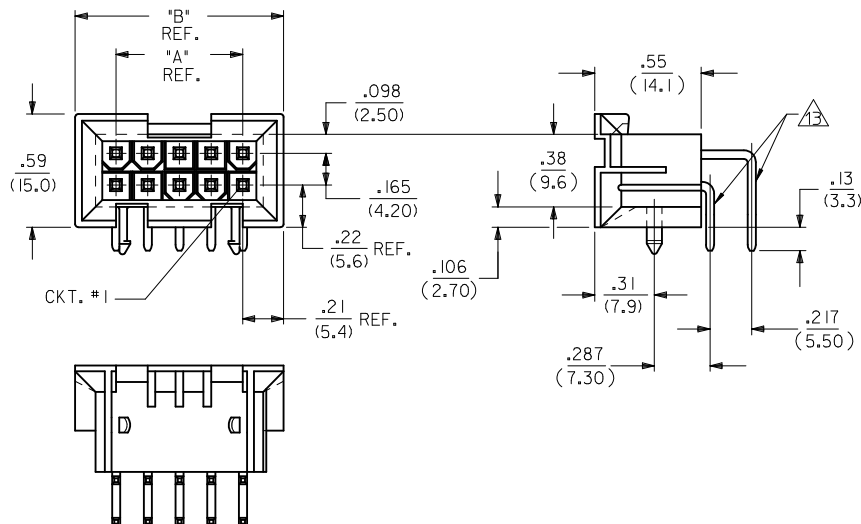
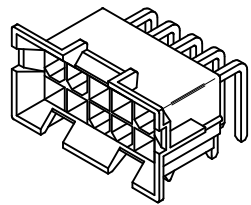


	CIRCUIT SIZE	DIM. "A"	DIM. "B"
J	6	.331 (8.40)	.76 (19.2)
	8	.496 (12.60)	.92 (23.4)
I	10	.661 (16.80)	1.09 (27.6)
	12	.827 (21.00)	1.25 (31.8)
	14	.992 (25.20)	1.42 (36.0)
H	16	1.157 (29.40)	1.58 (40.2)
	18	1.323 (33.60)	1.75 (44.4)
	20	1.488 (37.80)	1.91 (48.6)
G	22	1.654 (42.00)	2.08 (52.8)
	24	1.819 (46.20)	2.24 (57.0)

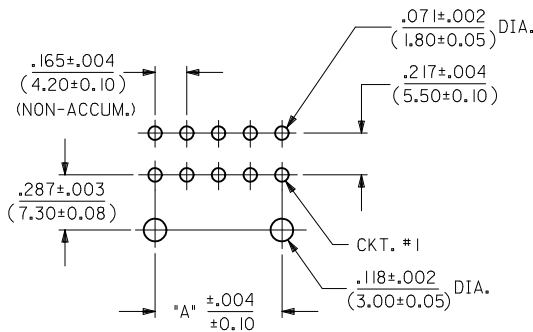


**NOTES:**

- MATERIAL: HOUSING: "A" = NYLON 6/6, U.L. 94V-2, COLOR: NATURAL. "B" = NYLON 6/6, U.L. 94V-0, COLOR: NATURAL. TERMINAL: BRASS ALLOY
  - TERMINAL PLATING:
    - .000100/(.00254) MIN. MATTE TIN OVER .000050/(.00127) MIN. NICKEL OVERALL.
    - .000030/(.00076) MIN. SELECT GOLD AND .000100/(.00254) MIN. SELECT MATTE TIN OVER .000050/(.00127) MIN. NICKEL OVERALL.
  - PRODUCT SPECIFICATION: PS-5556-002
  - PACKAGING SPECIFICATION: PK-42404-002.
  - 4-24 CKT. PARTS MATE WITH MINI-FIT JR. RECEPTACLES #5557, #42385 AND #42474. 2 CKT. PART MATES WITH #42385 AND #42474 ONLY.
  - PART ALLOWS FOR UP TO .100/(2.54) MISALIGNMENT WITH MATING RECEPTACLE IN ANY DIRECTION. SEE MATING CONNECTOR DRAWINGS FOR SPECIFIC ALLOWANCES.
  - CONNECTOR ASSEMBLIES ARE NOT TO BE MATED OR UNMATED WHILE CIRCUITS ARE LIVE.
  - A MAXIMUM TOLERANCE OF .050/(1.27) ALLOWS FOR 2 POINTS OF ELECTRICAL CONTACT. A MAXIMUM TOLERANCE OF .020/(.51) ALLOWS FOR 4 POINTS OF CONTACT.
  - DISCOLORATION IN THE BANDOLIER CARRIER AREA OF THE PIN IS INHERENT TO THE PLATING PROCESS AND IS DUE TO THE MASKING EFFECT OF THE CARRIER. THIS DISCOLORATION IS IN A NON-FUNCTIONAL AREA OF THE PIN AND WILL NOT AFFECT THE PERFORMANCE OF THE HEADER ASSEMBLY.
  - PART IS NOT DESIGNED FOR CURRENT SHARING.
  - PART IS NOT INTENDED TO PROVIDE ANY ALIGNMENT OF CUSTOMER COMPONENTS OR MODULES, SUCH AS POWER SUPPLIES AND CHASSIS.
  - PARTS CONFORM TO CLASS 'B' REQUIREMENTS OF COSMETIC SPECIFICATION PS-45499-002.
- △ FORMING MARKS ARE ACCEPTABLE.

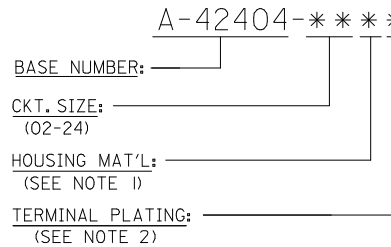


A-42404-\*\*\*\*



RECOMMENDED HOLE LAYOUT FOR .070/(1.78) MAX. THICK P.C. BOARD VIEWED FROM COMPONENT SIDE

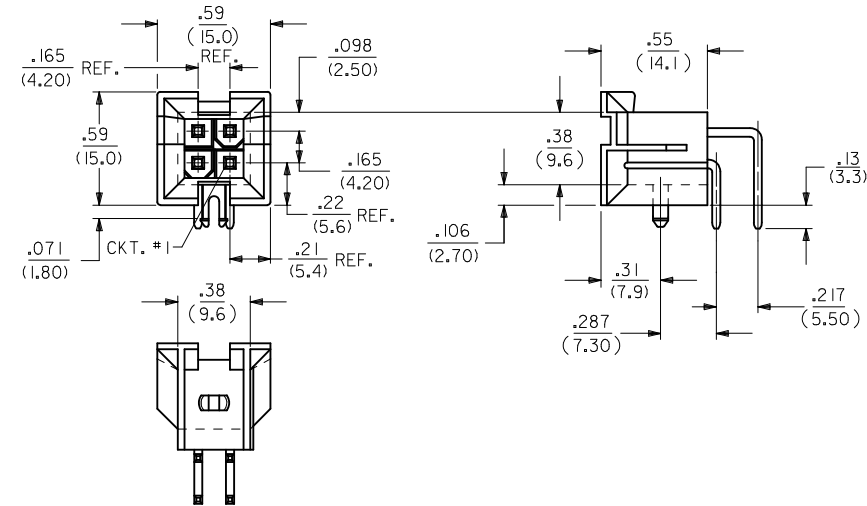
**LEGEND:**



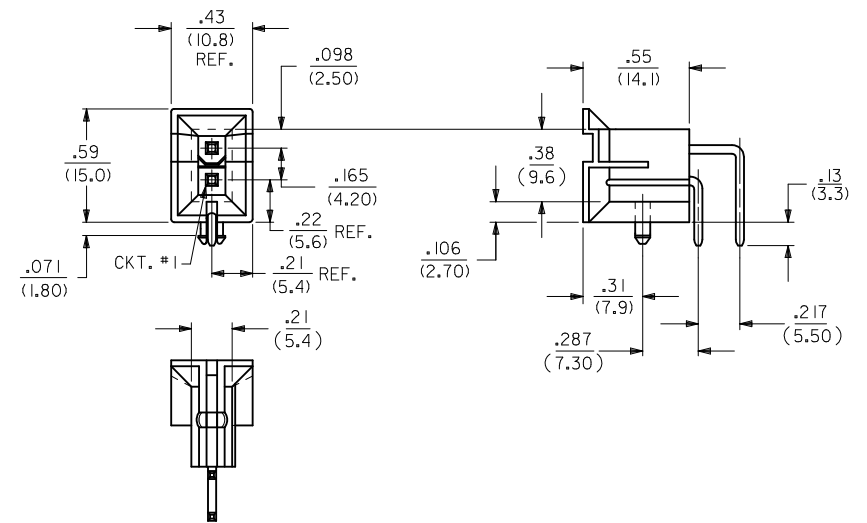
Part	Part No.	Material	Plating	Notes	
C	--**B2, _**B4	42474-**-21, 5556-PBGS*P	94V-0	PHOS. BRZ.	GOLD
	--**A2, _**A4	42474-**-11, 5556-PBGS*P	94V-2		
	--**B1, _**B3	42474-**-21, 5556-PBS*P	94V-0	TIN	
	--**A1, _**A3	42474-**-11, 5556-PBS*P	94V-2		
B	--**B2, _**B4	42474-**-21, 5556-GS*P	94V-0	BRASS	GOLD
	--**A2, _**A4	42474-**-11, 5556-GS*P	94V-2		
	--**B1, _**B3	42474-**-21, 5556-S*P	94V-0	TIN	
	--**A1, _**A3	42474-**-11, 5556-S*P	94V-2		
A	--**B2, _**B4	A-42385-**-D2	94V-0	PHOS. BRZ.	GOLD
	--**A2, _**A4	A-42385-**-C2	94V-2		
	--**B1, _**B3	A-42385-**-D1	94V-0	TIN	
	--**A1, _**A3	A-42385-**-C1	94V-2		
A	--**B2, _**B4	A-42385-**-B2	94V-0	BRASS	GOLD
	--**A2, _**A4	A-42385-**-A2	94V-2		
	--**B1, _**B3	A-42385-**-B1	94V-0	TIN	
	--**A1, _**A3	A-42385-**-A1	94V-2		

R.A. HEADER	MATING CONNECTOR	HSG. MAT'L.	TERM. MAT'L.	PLATING
A-42404				MATING CONNECTOR FEATURES

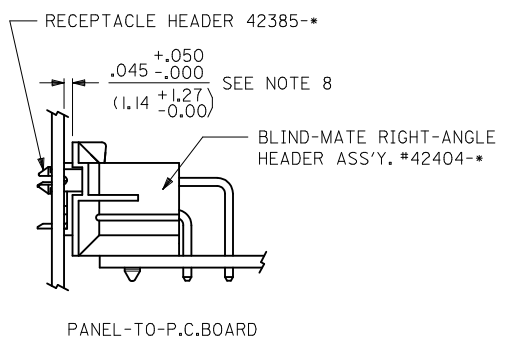
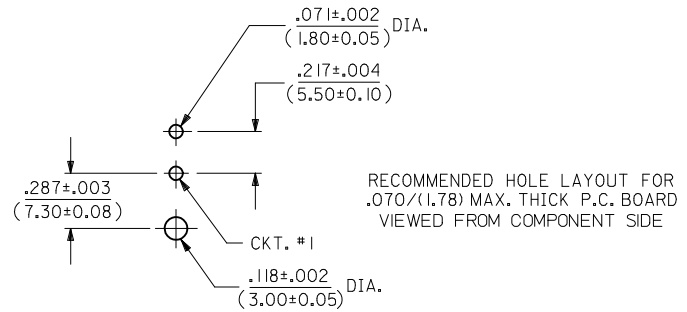
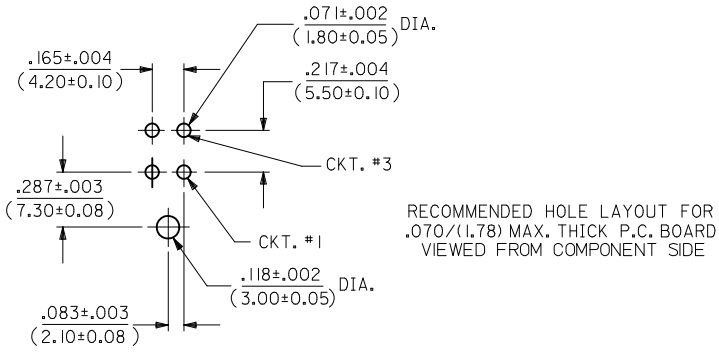
CHANGE PLATING EC NO: UCP2012-1560 DRAWN: NGUYEN 2012/01/09 CHKD: J.BELL 2012/01/09 APPR: F.S.MITH 2012/02/02	QUALITY SYMBOLS ▽=0 ▽=0 ▽=0	GENERAL TOLERANCES (UNLESS SPECIFIED)		DIMENSION STYLE IN/MM		SCALE	DESIGN UNITS METRIC	THIRD ANGLE PROJECTION
		4 PLACES ± --- ± ---	3 PLACES ± --- ± .010	DRAWN BY RWK	DATE 2/7/89	TITLE	MINI-FIT JR. 2-24 CKT RIGHT ANGLE HEADER ASSY (BLIND MATE)	
		2 PLACES ± 0.25 ± .015	1 PLACE ± 0.38 ± ---	CHECKED BY RJF	DATE 2/7/89	APPROVED BY FSMITH		DATE 2011/11/01
		ANGULAR ±1/2°		DRAFT WHERE APPLICABLE MUST REMAIN WITHIN DIMENSIONS		SEE SHEET 3		MATERIAL NO. DOCUMENT NO.
THIS DRAWING CONTAINS INFORMATION THAT IS PROPRIETARY TO MOLEX INCORPORATED AND SHOULD NOT BE USED WITHOUT WRITTEN PERMISSION								



A-42404-04\*\*



A-42404-02\*\*



SEE SHEET 1 EC NO: UCP2012-1560 DRAWN: NGUYEN 2012/01/09 CHKD: BELL 2012/01/09 APPR: FSMITH 2012/02/02	QUALITY SYMBOLS ▽=0 ▽=0 ▽=0	GENERAL TOLERANCES (UNLESS SPECIFIED)		DIMENSION STYLE IN/MM		SCALE 2:1	DESIGN UNITS METRIC	THIRD ANGLE PROJECTION			
		mm		INCH		DRAWN BY RWK	DATE 2/7/89	TITLE MINI-FIT JR. 2-24 CKT RIGHT ANGLE HEADER ASSY (BLIND MATE)			
		4 PLACES ± --- ± ---		3 PLACES ± --- ± .010		CHECKED BY RJF		DATE 2/7/89		MOLEX MOLEX INCORPORATED	
		2 PLACES ± 0.25 ± .015		1 PLACE ± 0.38 ± ---		APPROVED BY FSMITH		DATE 2011/11/01		DOCUMENT NO. SDA-42404-****	
ANGULAR ±1/2°		DRAFT WHERE APPLICABLE MUST REMAIN WITHIN DIMENSIONS		SEE SHEET 3		SHEET NO. 2 OF 3		THIS DRAWING CONTAINS INFORMATION THAT IS PROPRIETARY TO MOLEX INCORPORATED AND SHOULD NOT BE USED WITHOUT WRITTEN PERMISSION			

	13	12	11	10	9	8	7	6	5	4	3	2	1	
J														
I														
H														
G														
F														
E														
D														
C														
B														
A														

**SEE SHEET 1**  
 EC NO: UCP2012-1560  
 2012/01/09  
 DRWNINGUYEN  
 2012/01/09  
 CHKD:JBELL  
 2012/02/02  
 APPR:FSM:TH  
 2012/02/02

QUALITY SYMBOLS  
 ☐ = 0  
 ▽ = 0  
 ▽ = 0  
 REV DESCRIPTION

GENERAL TOLERANCES (UNLESS SPECIFIED)  

	mm	INCH
4 PLACES	± .005	± .0005
3 PLACES	± .010	± .0010
2 PLACES	± 0.25	± .015
1 PLACE	± 0.38	± .015

 ANGULAR ±1/2°

DRAFT WHERE APPLICABLE  
 MUST REMAIN WITHIN DIMENSIONS

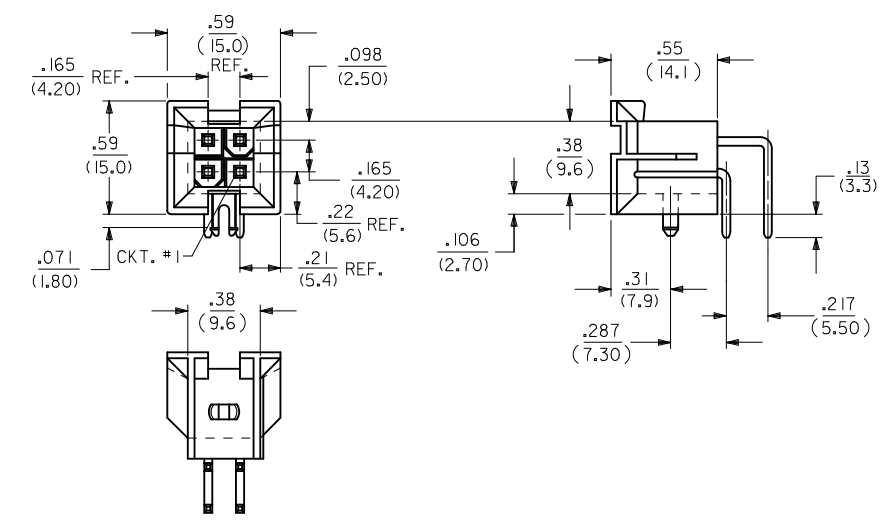
DIMENSION STYLE IN/MM  
 DRAWN BY: RWK DATE: 2/7/89  
 CHECKED BY: RJF DATE: 2/7/89  
 APPROVED BY: FSM:TH DATE: 2011/11/01

SCALE 1:1  
 DESIGN UNITS METRIC  
 THIRD ANGLE PROJECTION

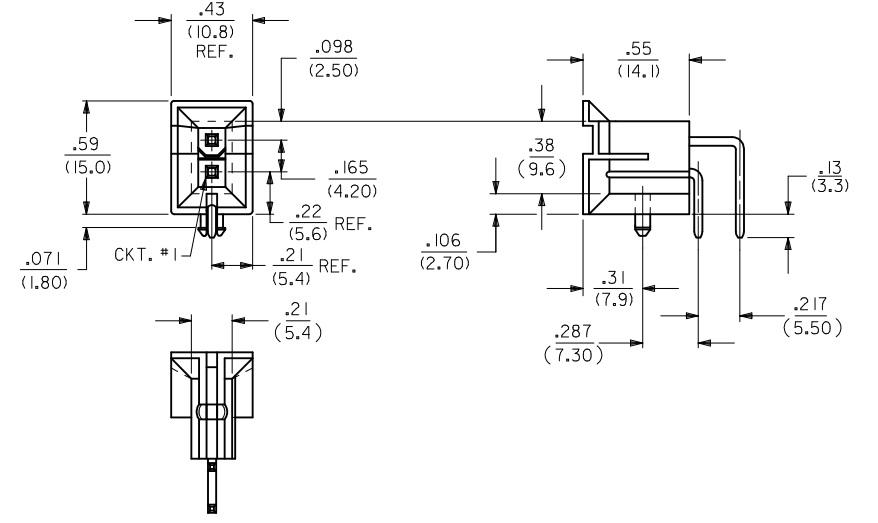
TITLE: MINI-FIT JR. 2-24 CKT RIGHT ANGLE HEADER ASSY (BLIND MATE)  
**MOLEX MOLEX INCORPORATED**  
 MATERIAL NO. SDA-42404-\*\*\*\*  
 SHEET NO. 3 OF 3

**SEE CHART**  
 SIZE ( ) THIS DRAWING CONTAINS INFORMATION THAT IS PROPRIETARY TO MOLEX INCORPORATED AND SHOULD NOT BE USED WITHOUT WRITTEN PERMISSION

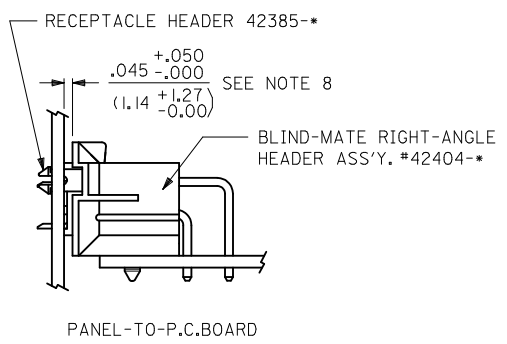
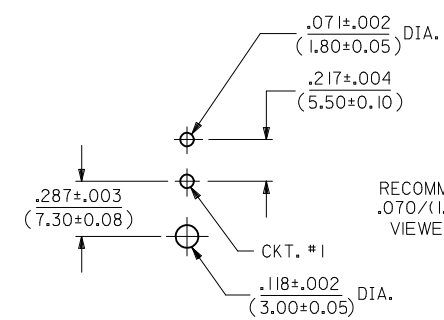
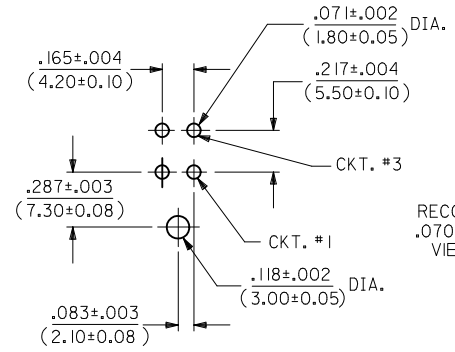
PART NUMBER	ENG. NUMBER	CKT. SIZE	HOUSING MATERIAL	PLATING (NOTE 2)
NOT TOOLED	A-42404-02A1	2	94V-2	MATTE TIN OVER NICKEL
I5-24-6040	-04A1	4		
I5-24-6060	-06A1	6		
NOT TOOLED	-08A1	8		
I5-24-6100	-10A1	10		
NOT TOOLED	-12A1	12		
I5-24-6140	-14A1	14		
NOT TOOLED	-16A1	16		
I5-24-6180	-18A1	18		
NOT TOOLED	-20A1	20		
NOT TOOLED	-22A1	22		
I5-24-6240	A-42404-24A1	24	94V-2	MATTE TIN OVER NICKEL
NOT TOOLED				
NOT TOOLED	A-42404-02A5	02	94V-2	SELECT GOLD OVER NICKEL
I5-24-9047	A-42404-04A5	04		
I5-24-9067	A-42404-06A5	06		
NOT TOOLED	A-42404-08A5	08		
I5-24-9107	A-42404-10A5	10		
NOT TOOLED	A-42404-12A5	12		
I5-24-9147	A-42404-14A5	14		
NOT TOOLED	A-42404-16A5	16		
I5-24-9187	A-42404-18A5	18		
NOT TOOLED	A-42404-20A5	20		
NOT TOOLED	A-42404-22A5	22		
I5-24-9247	A-42404-24A5	24	94V-2	SELECT GOLD OVER NICKEL
NOT TOOLED				
NOT TOOLED	A-42404-02B1	2	94V-0	MATTE TIN OVER NICKEL
I5-24-9044	-04B1	4		
I5-24-9064	-06B1	6		
NOT TOOLED	-08B1	8		
I5-24-9104	-10B1	10		
NOT TOOLED	-12B1	12		
I5-24-9144	-14B1	14		
I5-24-9164	-16B1	16		
I5-24-9184	-18B1	18		
NOT TOOLED	-20B1	20		
NOT TOOLED	-22B1	22		
I5-24-9244	A-42404-24B1	24	94V-0	MATTE TIN OVER NICKEL
NOT TOOLED				
NOT TOOLED	A-42404-02B5	02	94V-0	SELECT GOLD OVER NICKEL
I5-24-6043	A-42404-04B5	04		
I5-24-6063	A-42404-06B5	06		
NOT TOOLED	A-42404-08B5	08		
I5-24-6103	A-42404-10B5	10		
NOT TOOLED	A-42404-12B5	12		
I5-24-6143	A-42404-14B5	14		
I5-24-6163	A-42404-16B5	16		
I5-24-6183	A-42404-18B5	18		
NOT TOOLED	A-42404-20B5	20		
NOT TOOLED	A-42404-22B5	22		
I5-24-6243	A-42404-24B5	24	94V-0	SELECT GOLD OVER NICKEL



A-42404-04\*\*



A-42404-02\*\*



SEE SHEET 1 EC NO: UCP2006-1780 DRAWN:ADRATNOL 2006/02/03 CHKD:GPOLGAR 2006/02/03 APPR:JCOMERCI 2006/02/06	QUALITY SYMBOLS	GENERAL TOLERANCES (UNLESS SPECIFIED)	DIMENSION STYLE		SCALE	DESIGN UNITS	THIRD ANGLE PROJECTION
	▽=0 ▽=0		mm	INCH	2:1	METRIC	
R	DESCRIPTION	4 PLACES ± --- ± ---	DRAWN BY	DATE	TITLE MINI-FIT JR. 2-24 CKT RIGHT ANGLE HEADER ASSY (BLIND MATE)		
		3 PLACES ± --- ± .01	RWK	1989/02/07			
R	DESCRIPTION	2 PLACES ± 0.25 ± .015	CHECKED BY	DATE	MOLEX INCORPORATED		
		1 PLACE ± 0.38 ± ---	RJF	1989/02/07			
R	DESCRIPTION	ANGULAR ± 1/2°	APPROVED BY	DATE	DOCUMENT NO. SDA-42404-****		
		DRAFT WHERE APPLICABLE MUST REMAIN WITHIN DIMENSIONS	RAS	1989/02/07			
		MATERIAL NO.		SIZE		THIS DRAWING CONTAINS INFORMATION THAT IS PROPRIETARY TO MOLEX INCORPORATED AND SHOULD NOT BE USED WITHOUT WRITTEN PERMISSION	

**REMOVE PLATE CODE**  
EC NO: UCP2010-0864  
DRWN: JAGUILAR 2010/01/18  
CHKD: J.BELL 2010/01/06  
APPR: FSMITH 2010/03/16

REVISIONS  
R2

QUALITY SYMBOLS  
▽=0  
▽=0

GENERAL TOLERANCES (UNLESS SPECIFIED)

	mm	INCH
4 PLACES	± .005	± .0002
3 PLACES	± .005	± .0002
2 PLACES	± .005	± .0002
1 PLACE	± .005	± .0002

ANGULAR ±1/2°

DRAFT WHERE APPLICABLE  
MUST REMAIN  
WITHIN DIMENSIONS

DIMENSION STYLE  
**IN/MM**

DRAWN BY DATE  
RWK 1989/02/08

CHECKED BY DATE  
RJF 1989/02/08

APPROVED BY DATE  
FSMITH 2010/03/16

MATERIAL NO.  
**SEE CHARTS**

SCALE  
---  
METRIC

DESIGN UNITS  
METRIC

THIRD ANGLE PROJECTION

TITLE  
**MINI-FIT JR. 2-24 CKT  
RIGHT ANGLE HEADER ASSY  
(BLIND MATE)**

**MOLEX INCORPORATED**

DOCUMENT NO.  
**SDA-42404-\*\*\*\***

SHEET NO.  
**3 OF 4**

SIZE  
C THIS DRAWING CONTAINS INFORMATION THAT IS PROPRIETARY TO MOLEX INCORPORATED AND SHOULD NOT BE USED WITHOUT WRITTEN PERMISSION

PART NUMBER	ENG. NUMBER	CKT. SIZE	HOUSING MATERIAL	PLATING (NOTE 5)
NOT TOOLED	A-42404-02A1	2	94V-2	BRIGHT TIN OVER NICKEL
I5-24-6040	-04A1	4		
I5-24-6060	-06A1	6		
NOT TOOLED	-08A1	8		
I5-24-6100	-10A1	10		
NOT TOOLED	-12A1	12		
I5-24-6140	-14A1	14		
NOT TOOLED	-16A1	16		
I5-24-6180	-18A1	18		
NOT TOOLED	-20A1	20		
NOT TOOLED	-22A1	22		
I5-24-6240	A-42404-24A1	24	94V-2	BRIGHT TIN OVER NICKEL
NOT TOOLED	A-42404-02A2	2	94V-2	30 M.I. GOLD
I5-24-9043	-04A2	4		
I5-24-9063	-06A2	6		
NOT TOOLED	-08A2	8		
I5-24-9103	-10A2	10		
NOT TOOLED	-12A2	12		
I5-24-9143	-14A2	14		
NOT TOOLED	-16A2	16		
I5-24-9183	-18A2	18		
NOT TOOLED	-20A2	20		
NOT TOOLED	-22A2	22		
I5-24-9243	A-42404-24A2	24	94V-2	30 M.I. GOLD
NOT TOOLED	A-42404-02B1	2	94V-0	BRIGHT TIN OVER NICKEL
I5-24-9044	-04B1	4		
I5-24-9064	-06B1	6		
NOT TOOLED	-08B1	8		
I5-24-9104	-10B1	10		
NOT TOOLED	-12B1	12		
I5-24-9144	-14B1	14		
I5-24-9164	-16B1	16		
I5-24-9184	-18B1	18		
NOT TOOLED	-20B1	20		
NOT TOOLED	-22B1	22		
I5-24-9244	A-42404-24B1	24	94V-0	BRIGHT TIN OVER NICKEL
NOT TOOLED	A-42404-02B2	2	94V-0	30 M.I. GOLD
I5-24-9045	-04B2	4		
I5-24-9065	-06B2	6		
NOT TOOLED	-08B2	8		
I5-24-9105	-10B2	10		
NOT TOOLED	-12B2	12		
I5-24-9145	-14B2	14		
I5-24-9165	-16B2	16		
I5-24-9185	-18B2	18		
NOT TOOLED	-20B2	20		
NOT TOOLED	-22B2	22		
I5-24-9245	A-42404-24B2	24	94V-0	30 M.I. GOLD

PART NUMBER	ENG. NUMBER	CKT. SIZE	HOUSING MATERIAL	PLATING (NOTE 5)
NOT TOOLED	A-42404-02A3	2	94V-2	MATTE TIN OVER NICKEL
NOT TOOLED	-04A3	4		
NOT TOOLED	-06A3	6		
NOT TOOLED	-08A3	8		
NOT TOOLED	-10A3	10		
NOT TOOLED	-12A3	12		
NOT TOOLED	-14A3	14		
NOT TOOLED	-16A3	16		
NOT TOOLED	-18A3	18		
NOT TOOLED	-20A3	20		
NOT TOOLED	-22A3	22		
NOT TOOLED	A-42404-24A3	24	94V-2	MATTE TIN OVER NICKEL