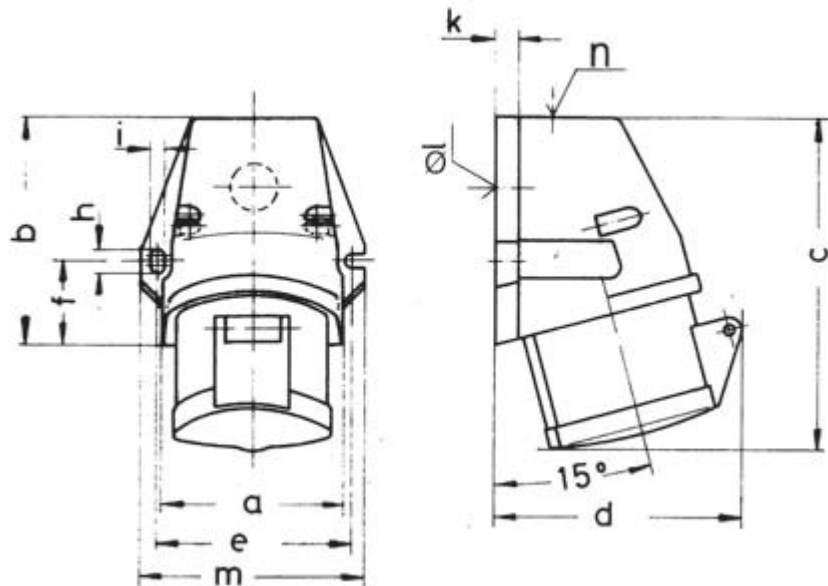


**Quick Connect Blue Surface Mounting Socket With Top Cable Entry 2P+E (6H)
IP44 16A 240V**



Dimensions

All dimensions in mm.



a	b	c	d
59.5	90	130	85
e	f	h	i
62	33.5	9	5.5
k	lØ	m	n
8	21	72	M20

Conductor mm² min Conductor mm² max

1.5 4