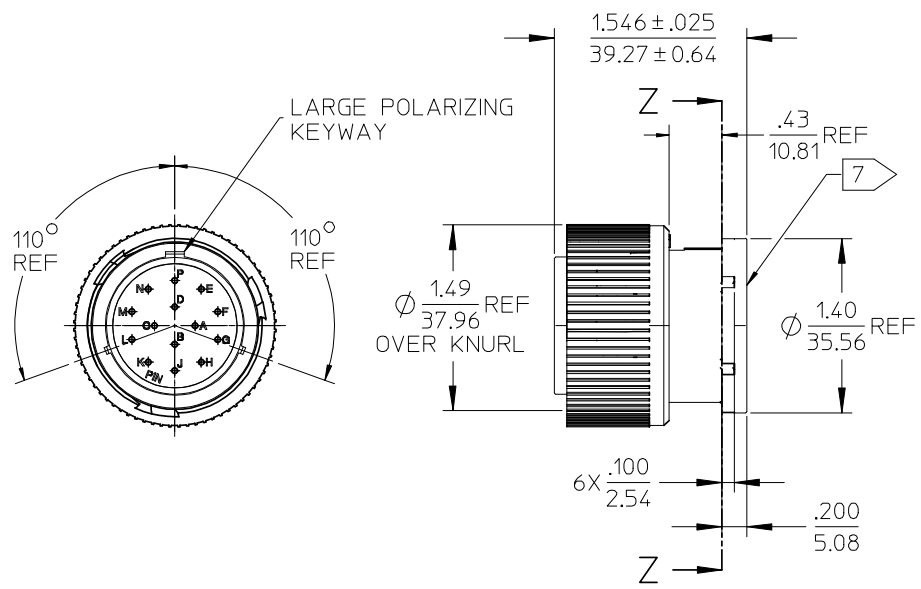
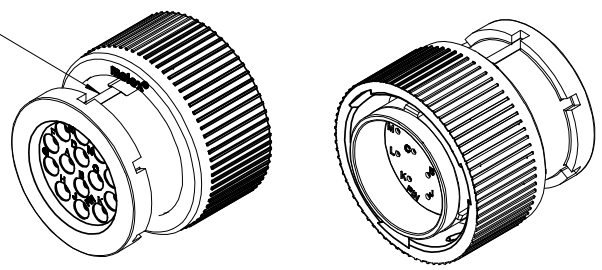


10	9	8	7	6	5	4	3	2	1
MATERIAL NUMBER	WIRE AWG	INSUL DIA O.D.							
845010001	18-14	.053(1.35) - .120(3.05)							

(B)

LARGE POLARIZING KEY INDICATOR



WIRE ENTRY VIEW

SECTION Z-Z

- NOTES:
1. MATERIALS: HOUSINGS: POLYESTER (PBT), GLASS FILLED, UL94V-0 & POLYETHERIMIDE (PEI), UNFILLED, UL94V-0. COLOR, UNLESS OTHERWISE SPECIFIED: BLACK  
SEALS: SILICONE RUBBER  
COLOR: RUST RED
  2. PRODUCT SPECIFICATION: PS-84501-001.
  3. MATES WITH: SERIES 84508 RECEPTACLE CONNECTOR.
  4. USE CONNECTOR WITH MALE CRIMP TERMINAL SERIES 84590.
  5. ALL COMPONENTS ARE ROHS COMPLIANT.

(B)

UPDATE NOTES & TABLE	DESCRIPTION
EC NO: WNA2008-0139	2008/07/27
DRW:WHLUNG	2008/04/21
CHKD:RDEROSS	2008/04/24
APPR:RDEROSS	
REV	

QUALITY SYMBOLS	DESCRIPTION
▽=0	
▽7=0	

GENERAL TOLERANCES (UNLESS SPECIFIED)	
mm	INCH
4 PLACES ± ---	± ---
3 PLACES ± ---	± .015
2 PLACES ± 0.38	± ---
1 PLACE ± ---	± ---
ANGULAR ± ---°	
DRAFT WHERE APPLICABLE MUST REMAIN WITHIN DIMENSIONS	

DIMENSION STYLE	
IN/MM	
DRAWN BY	DATE
DMYRICK	2006/2/8
CHECKED BY	DATE
JPAWLICKI	2006/2/8
APPROVED BY	DATE
RDEROSS	2006/2/8
MATERIAL NO.	
SEE CHART	
SIZE	
B	

SCALE	DESIGN UNITS	THIRD ANGLE PROJECTION
1:1	INCH	
TITLE		
PLUG CONNECTOR ASSEMBLY, 18-14 POS PIN TERMINALS		
MOLEX INCORPORATED		
DOCUMENT NO.	SHEET NO.	
SD-84501-001	1 OF 1	
THIS DRAWING CONTAINS INFORMATION THAT IS PROPRIETARY TO MOLEX INCORPORATED AND SHOULD NOT BE USED WITHOUT WRITTEN PERMISSION		