

# HITACHI

KAOHSIUNG HITACHI  
ELECTRONICS CO.,LTD  
P.O. BOX 26-27  
2,13TH EAST ST. K.E.P.Z.  
KAOHSIUNG TAIWAN R.O.C.  
TEL:(07) 821-5811(7 LINE)  
FAX:(07) 821-5815

FOR MESSRS: \_\_\_\_\_

DATE: Jun.04,2004

## SP14Q006-TZA CONTENTS

| No. | ITEM                       | SHEET No.  | PAGE           |
|-----|----------------------------|--|----------------|
| 1   | COVER                      | 7B64PS 2701- SP14Q006-TZA-4                                | 1-1/1          |
| 2   | RECORD OF REVISION         | 7B64PS 2702- SP14Q006-TZA-4                                | 2-1/1          |
| 3   | GENERAL SPECIFICATION      | 7B64PS 2703- SP14Q006-TZA-4                                | 3-1/1          |
| 4   | ABSOLUTE MAXIMUM RATINGS   | 7B64PS 2704- SP14Q006-TZA-4                                | 4-1/1          |
| 5   | ELECTRICAL CHARACTERISTICS | 7B64PS 2705- SP14Q006-TZA-4                                | 5-1/2~2/2      |
| 6   | OPTICAL CHARACTERISTICS    | 7B64PS 2706- SP14Q006-TZA-4                                | 6-1/3~3/3      |
| 7   | BLOCK DIAGRAM              | 7B64PS 2707- SP14Q006-TZA-4                                | 7-1/1          |
| 8   | INTERFACE TIMING CHART     | 7B64PS 2708- SP14Q006-TZA-4                                | 8-1/3~3/3      |
| 9   | OUTLINE DIMENSIONS         | 7B63PS 2709- SP14Q006-TZA-4<br>7B64PS 2709- SP14Q006-TZA-4 | 9-1/2<br>9-2/2 |
| 10  | APPEARANCE STANDARD        | 7B64PS 2710- SP14Q006-TZA-4                                | 10-1/3~3/3     |
| 11  | PRECAUTION IN DESIGN       | 7B64PS 2711- SP14Q006-TZA-4                                | 11-1/2~2/2     |
| 12  | DESIGNATION OF LOT MARK    | 7B64PS 2712- SP14Q006-TZA-4                                | 12-1/1         |
| 13  | PRECAUTION FOR USE         | 7B64PS 2713- SP14Q006-TZA-4                                | 13-1/1         |
| 14  | TOUCH PANEL SPECIFICATION  | 7B64PS 2714- SP14Q006-TZA-4                                | 14-1/4~4/4     |

\* When products will be discontinued , customers will be informed by HITACHI with twelve months prior announcement.

ACCEPTED BY: \_\_\_\_\_

PROPOSED BY: Jimmy Ho

|   |            |                             |      |       |
|---|------------|-----------------------------|------|-------|
| KAOHSIUNG HITACHI<br>ELECTRONICS CO.,LTD. | Sh.<br>No. | 7B64PS 2701- SP14Q006-TZA-4 | PAGE | 1-1/1 |
|---|------------|-----------------------------|------|-------|

## RECORD OF REVISION

| DATE                         | SHEET No.                                     | SUMMARY   |      |        |      |      |     |                            |         |     |     |     |  |  |      |      |      |                              |        |      |      |      |      |      |      |
|------------------------------|---|---|------|--------|------|------|-----|----------------------------|---------|-----|-----|-----|--|--|------|------|------|------------------------------|--------|------|------|------|------|------|------|
| Oct.22,'03                   | 7B64PS2709-<br>SP14Q006-TZA-2<br>Page 9-2/2   | Changed LED I/F : JAK/1L-G-4S-S3C2<br>↓<br>JAK/IL-G-4S-S3C2   |      |        |      |      |     |                            |         |     |     |     |  |  |      |      |      |                              |        |      |      |      |      |      |      |
| Mar.31,'04                   | 7B64PS2708-<br>SP14Q006-TZA-3<br>Page 8-3/3   | 8.3 POWER ON/OFF TIMING SEQUENCE<br>Revised tDLD min. 200 → 50<br>Revised tCH max. 200 → 30   |      |        |      |      |     |                            |         |     |     |     |  |  |      |      |      |                              |        |      |      |      |      |      |      |
|                              | 7B64PS 2705-<br>SP14Q006-TZA-4<br>Page 5-1/2  | 5.1 ELECTRICAL CHARACTERISTICS<br>Added <table border="1" style="margin-left: 20px; border-collapse: collapse; width: 80%;"> <thead> <tr> <th>ITEM</th> <th>SYMBOL</th> <th>MIN.</th> <th>TYP.</th> <th>MAX</th> </tr> </thead> <tbody> <tr> <td>Power Supply Voltage Logic</td> <td>VDD-VSS</td> <td>3.2</td> <td>3.3</td> <td>3.4</td> </tr> <tr> <td></td> <td></td> <td>21.0</td> <td>22.0</td> <td>23.0</td> </tr> <tr> <td rowspan="2">Recommend LC Driving Voltage</td> <td rowspan="2">VDD-V0</td> <td>20.0</td> <td>21.0</td> <td>22.0</td> </tr> <tr> <td>19.0</td> <td>20.0</td> <td>21.0</td> </tr> </tbody> </table> | ITEM | SYMBOL | MIN. | TYP. | MAX | Power Supply Voltage Logic | VDD-VSS | 3.2 | 3.3 | 3.4 |  |  | 21.0 | 22.0 | 23.0 | Recommend LC Driving Voltage | VDD-V0 | 20.0 | 21.0 | 22.0 | 19.0 | 20.0 | 21.0 |
| ITEM                         | SYMBOL  | MIN.  | TYP. | MAX    |      |      |     |                            |         |     |     |     |  |  |      |      |      |                              |        |      |      |      |      |      |      |
| Power Supply Voltage Logic   | VDD-VSS                                       | 3.2   | 3.3  | 3.4    |      |      |     |                            |         |     |     |     |  |  |      |      |      |                              |        |      |      |      |      |      |      |
|                              |   | 21.0  | 22.0 | 23.0   |      |      |     |                            |         |     |     |     |  |  |      |      |      |                              |        |      |      |      |      |      |      |
| Recommend LC Driving Voltage | VDD-V0  | 20.0  | 21.0 | 22.0   |      |      |     |                            |         |     |     |     |  |  |      |      |      |                              |        |      |      |      |      |      |      |
|                              |   | 19.0  | 20.0 | 21.0   |      |      |     |                            |         |     |     |     |  |  |      |      |      |                              |        |      |      |      |      |      |      |
|                              | 7B64PS 2706-<br>SP14Q006-TZA-4<br>Page 6-3/3  | 6.2 OPTICAL CHARACTERISTICS OF BACKLIGHT<br>Added The LCD driving voltage should be adjusted at the voltage where the peak contrast is obtained.  |      |        |      |      |     |                            |         |     |     |     |  |  |      |      |      |                              |        |      |      |      |      |      |      |
|                              | 7B64PS 2710-<br>SP14Q006-TZA-4<br>Page 10-1/3 | 10.1 APPEARANCE INSPECTION CONDITION<br>Revised 45°→25°   |      |        |      |      |     |                            |         |     |     |     |  |  |      |      |      |                              |        |      |      |      |      |      |      |
|                              | 7B64PS2711<br>SP14Q006-TZA-4<br>Page 14-1/4   | 14.1.2 OPERATING CONDITIONS<br>Revised Operating Voltage : 5VDC→5.0 /3.3 VDC  |      |        |      |      |     |                            |         |     |     |     |  |  |      |      |      |                              |        |      |      |      |      |      |      |
|                              |   |   |      |        |      |      |     |                            |         |     |     |     |  |  |      |      |      |                              |        |      |      |      |      |      |      |

### 3. GENERAL SPECIFICATIONS

|                             |  |
|-----------------------------|--|
| (1) Part Name               | SP14Q006-TZA   |
| (2) Outer Dimensions        | 167.0(W)mm×109.0(H)mm×11.4(D) mm max.                                    |
| (3) Effective Area          | 120(W)mm min. × 89(H)mm min.   |
| (4) Dot Size                | 0.345(W)min. × 0.345(H)min.  |
| (5) Dot Pitch               | 0.360(W)mm × 0.360(H)mm  |
| (6) Dot Number (Resolution) | 320 (W) × 240 (H) dots   |
| (7) Duty Ratio              | 1/240  |
| (8) LCD Type                | Transflective type F-B / W STN<br>With glare type upper polarizer        |
| (9) Viewing Direction       | 6 O'clock  |
| (10) Viewing Angle          | Viewing Angle in Rear (12:00) - Front (6:00)<br>R-F=90°(typ.)            |
| (11) Backlight Type         | LED(Color : white)   |
| (12) Touch Panel            | Analog resistive<br>Transparency : 76% min.<br>Surface type : anti glare |

## 4. ABSOLUTE MAXIMUM RATINGS

### 4.1 ELECTRICAL ABSOLUTE MAXIMUM RATINGS

VSS=0V : STANDARD

| ITEM                        | SYMBOL  | MIN. | MAX.    | UNIT | COMMENT      |
|-----------------------------|---------|------|---------|------|--------------|
| Power Supply for Logic      | VDD-VSS | 0    | 6.0     | V    |              |
| Power Supply for LC Driving | VDD-VEE | 0    | 27.5    | V    |              |
| Input Signal Voltage        | Vi      | -0.3 | VDD+0.3 | V    | (Note 1)     |
| Static Electricity          | VESD0   | -    | ±100    | V    | (Note 2,3,4) |
|                             | VESD1   | -    | ±10     | kV   | (Note 2,3,5) |

Note 1 :  $\overline{\text{DOFF}}$  , FLM , CL1 , CL2 , D0~D3.

Note 2: Make certain you are grounded when handling LCM.

Note 3 : Energy storage capacitance 200pF , discharge resistance 250Ω Ta=25°C , 60%RH.

Note 4 : Contact discharge to I/F connector pins.

Note 5 : Contact discharge to front metal bezel.

### 4.2 ENVIRONMENTAL ABSOLUTE MAXIMUM RATINGS

| ITEM                | OPERATING      |                                 | STORAGE        |   | COMMENT              |
|---------------------|----------------|---------------------------------|----------------|---|----------------------|
|                     | MIN.           | MAX.                            | MIN.           | MAX.  |                      |
| Ambient Temperature | -20°C          | 70°C                            | -30°C          | 80°C  | (Note 2,3,6,7)       |
| Humidity            | (Note 1)       |                                 | (Note 1)       |   | Without Condensation |
| Vibration           | -              | 2.45m/s <sup>2</sup><br>(0.25G) | -              | 11.76m/s <sup>2</sup><br>(1.2G)<br>(Note 5) | (Note 4)<br>1h max.  |
| Shock               | -              | 29.4m/s <sup>2</sup><br>(3 G)   | -              | 490.0m/s <sup>2</sup><br>(50 G)<br>(Note 5) | X · Y · Z Directions |
| Corrosive Gas       | Not Acceptable |                                 | Not Acceptable |   |                      |

Note 1 : Ta ≤ 40°C : 85%RH max.

Ta > 40°C : Absolute humidity must be lower than the humidity of 85%RH at 40°C

Note 2 : Ta at -30°C --- < 48h , at 80°C --- < 168h.

Note 3 : Background color changes slightly depending on ambient temperature.  
This phenomenon is reversible.

Note 4 : 5Hz~100Hz (Except resonance frequency)

Note 5 : This module should be operated normally after finish the test.

Note 6 : The response time will be slower under low temperature.

Note 7 : Operation temp not include touch panel.

## 5. ELECTRICAL CHARACTERISTICS

### 5.1 ELECTRICAL CHARACTERISTICS

| I T E M                             | SYMBOL  | CONDITION                       | MIN.   | TYP.  | MAX.   | UNIT | COMMENT |
|-------------------------------------|---------|---------------------------------|--------|-------|--------|------|---------|
| Power Supply Voltage for Logic      | VDD-VSS | -                               | 4.75   | 5.0   | 5.25   | V    |         |
|                                     |         |                                 | 3.2    | 3.3   | 3.4    |      |         |
| Power Supply Voltage for LC Driving | VEE-VSS | -                               | -23.1  | -22.0 | -20.9  | V    |         |
| Input Signal Voltage                | Vi      | H LEVEL                         | 0.8VDD | -     | VDD    | V    | (Note1) |
|                                     |         | L LEVEL                         | 0      | -     | 0.2VDD | V    |         |
| Power Supply Current for Logic      | IDD     | VDD-VSS=5.0V<br>VEE-VSS= -22.0V | -      | 6.0   | -      | mA   | (Note2) |
| Power Supply Current for LC Driving | IEE     | VDD-VSS=5.0V<br>VEE-VSS= -22.0V | -      | 5.0   | -      | mA   | (Note2) |
| Recommended LC Driving Voltage      | VDD-V0  | Ta= 0°C , $\phi = 0^\circ$      | 21.0   | 22.0  | 23.0   | V    | (Note3) |
|                                     |         | Ta=25°C , $\phi = 0^\circ$      | 20.0   | 21.0  | 22.0   | V    |         |
|                                     |         | Ta=50°C , $\phi = 0^\circ$      | 19.0   | 20.0  | 21.0   | V    |         |
| Frame Frequency                     | fFLM    | -                               | 70     | 75    | 80     | Hz   | (Note4) |

Note 1 :  $\overline{\text{DOFF}}$  , FLM , CL1 , CL2 , D0~D3.

Note 2 : FLM=75Hz , test pattern is all "Q".  
VDD-V0=21.0V , Ta=25°C

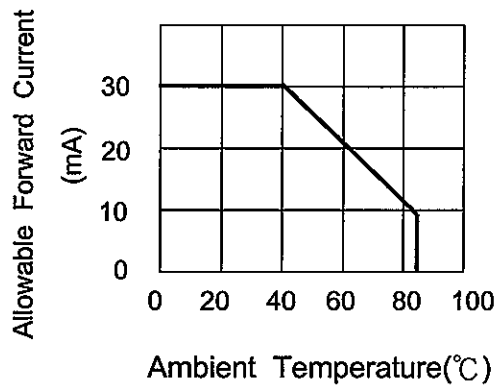
Note 3 : Recommended LC driving voltage may fluctuate about  $\pm 1.0\text{V}$  by each module.  
Test pattern is all "Q"

Note 4 : Please set the frame frequency so as to avoid flicker and rippling on the display.

## 5.2 ELECTRICAL CHARACTERISTICS OF LED BACKLIGHT

| ITEM                         | SYMBOL | CONDITION | MIN. | TYP. | MAX. | UNIT | COMMENT |
|------------------------------|--------|-----------|------|------|------|------|---------|
| Power Supply Voltage for LED | VLED   | -         | -    | 5.0  | 5.2  | V    |         |
| Power Supply Current for LED | ILED   | VLED=5.0V | -    | 160  | -    | mA   | Note 1  |

Note 1 : The ILED changes depending on ambient temperature.



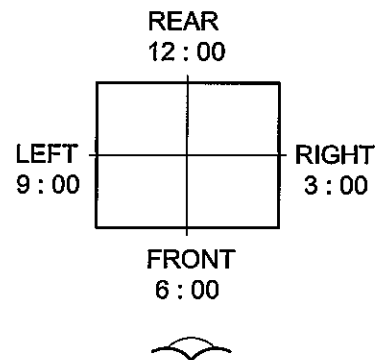
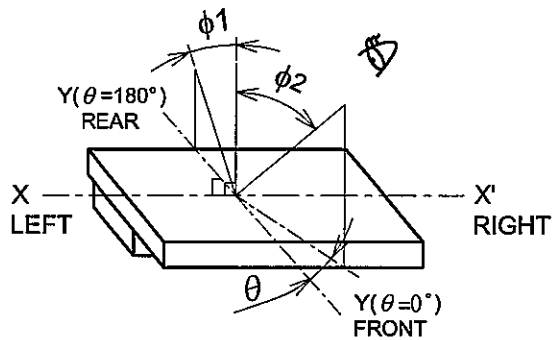
# 6. OPTICAL CHARACTERISTICS

6.1 OPTICAL CHARACTERISTICS  $T_a=25^\circ\text{C}$  (Backlight OFF)

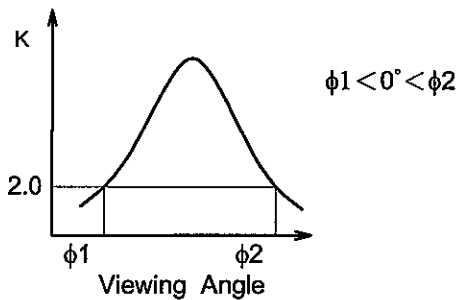
| ITEM                 | SYMBOL | CONDITION   | MIN. | TYP.  | MAX. | UNIT | NOTE |
|----------------------|--------|---|------|-------|------|------|------|
| Viewing Area         | -      | $K \geq 2.0$ $\theta = 0^\circ$<br>$\phi_1 + \phi_2$  | -    | 90    | -    | deg. | 1    |
|                      | -      | $K \geq 2.0$ $\theta = 90^\circ$<br>$\phi_1 + \phi_2$ | -    | 80    | -    | deg. | 1    |
| Contrast Ratio       | K      | $\phi = 0^\circ, \theta = 0^\circ$                    | -    | 5     | -    | -    | 2,3  |
| Response Time (Rise) | $t_r$  | $\phi = 0^\circ, \theta = 0^\circ$                    | -    | (336) | -    | ms   | 4    |
| Response Time (Fall) | $t_f$  | $\phi = 0^\circ, \theta = 0^\circ$                    | -    | (148) | -    | ms   | 4    |

Note 1 : Definition of  $\theta$  and  $\phi$   
(Normal)  
Viewing direction

(Measure condition by Hitachi)



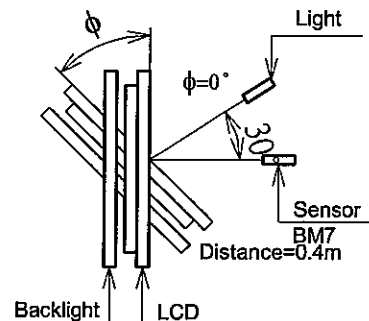
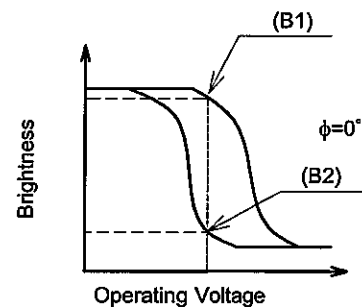
Note 2 : Definition of viewing angle  $\phi_1$  and  $\phi_2$



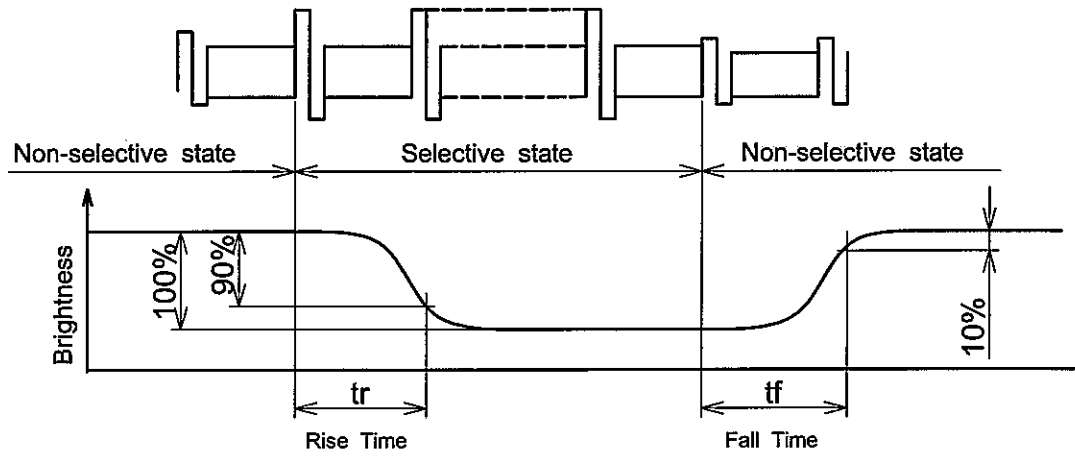
Contrast ratio K vs viewing angle  $\phi$

Note 3 : Definition of contrast "K"

$$K = \frac{\text{Brightness on non-selected dot (B1)}}{\text{Brightness on selected dot (B2)}}$$



Note 4 : Definition of optical response





## 6.2 OPTICAL CHARACTERISTICS OF BACKLIGHT

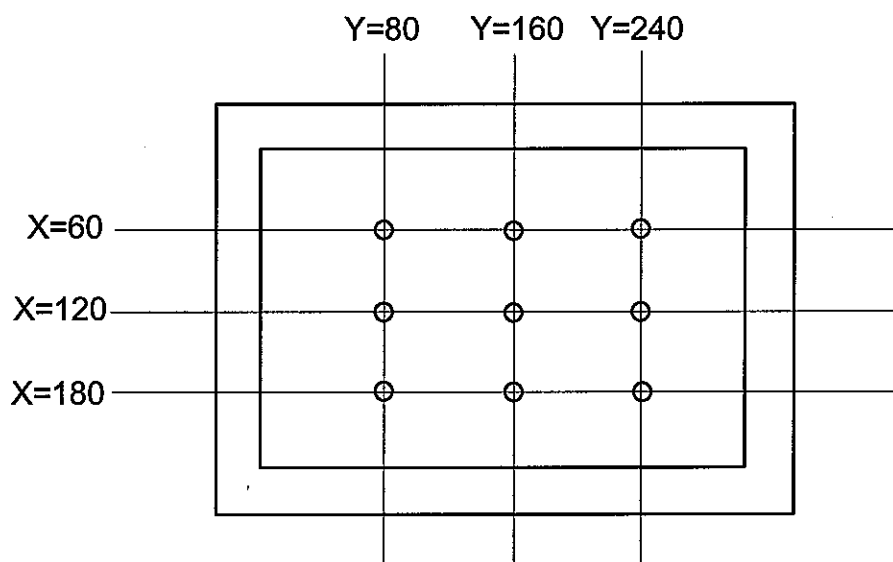
(Backlight ON)

| ITEM                  | MIN. | TYP. | MAX. | UNIT              | NOTE       |
|-----------------------|------|------|------|-------------------|------------|
| Brightness            | -    | 40   | -    | cd/m <sup>2</sup> | ILED=160mA |
| Brightness Uniformity | -    | -    | ±30  | %                 | Note 1     |

Ta=25°C, Display data should be all "ON".

The LCD driving voltage should be adjusted at the voltage where the peak contrast is obtained.

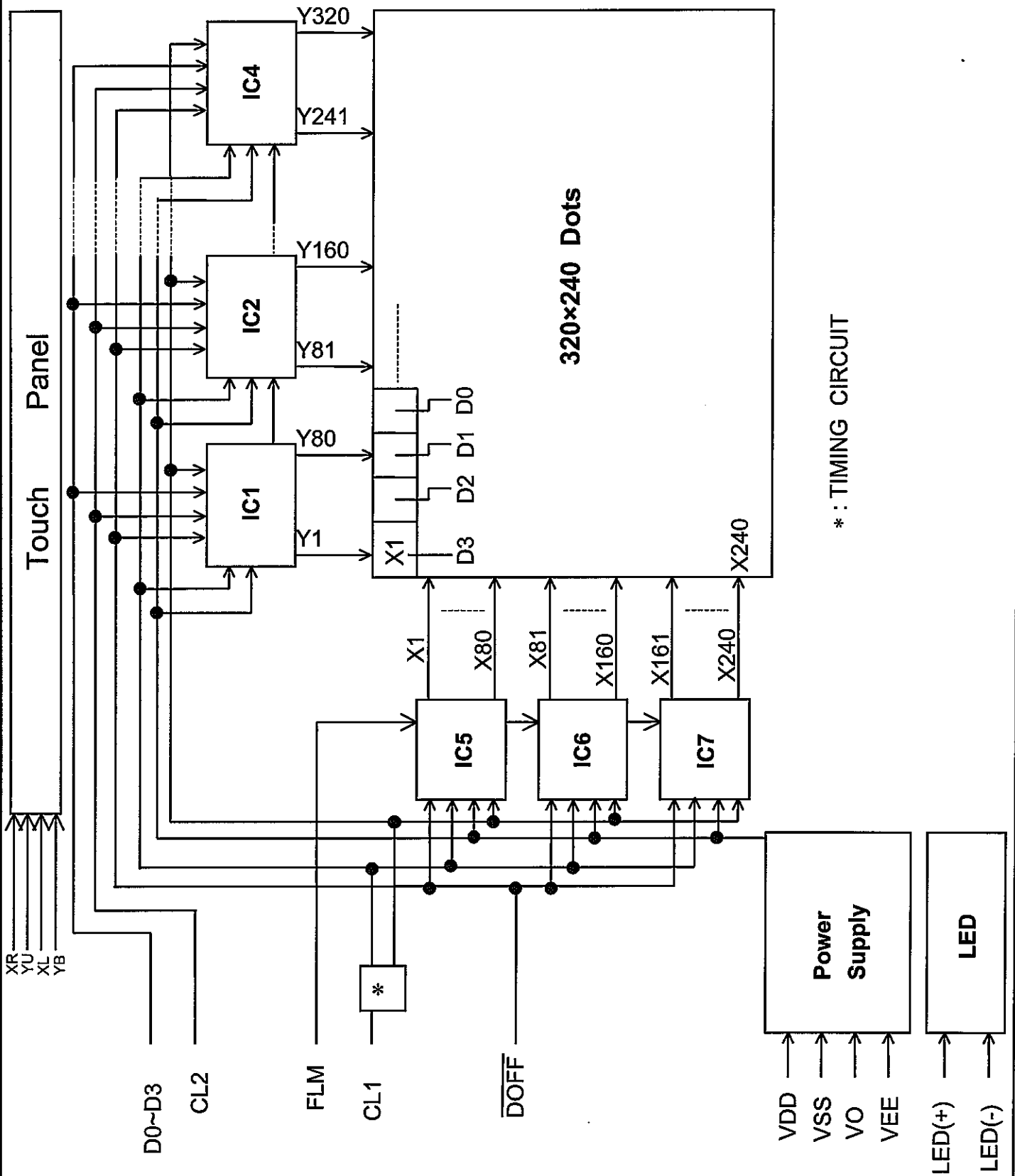
Note 1 : Measure of the following 9 places on the display.



Definition of the brightness tolerance.

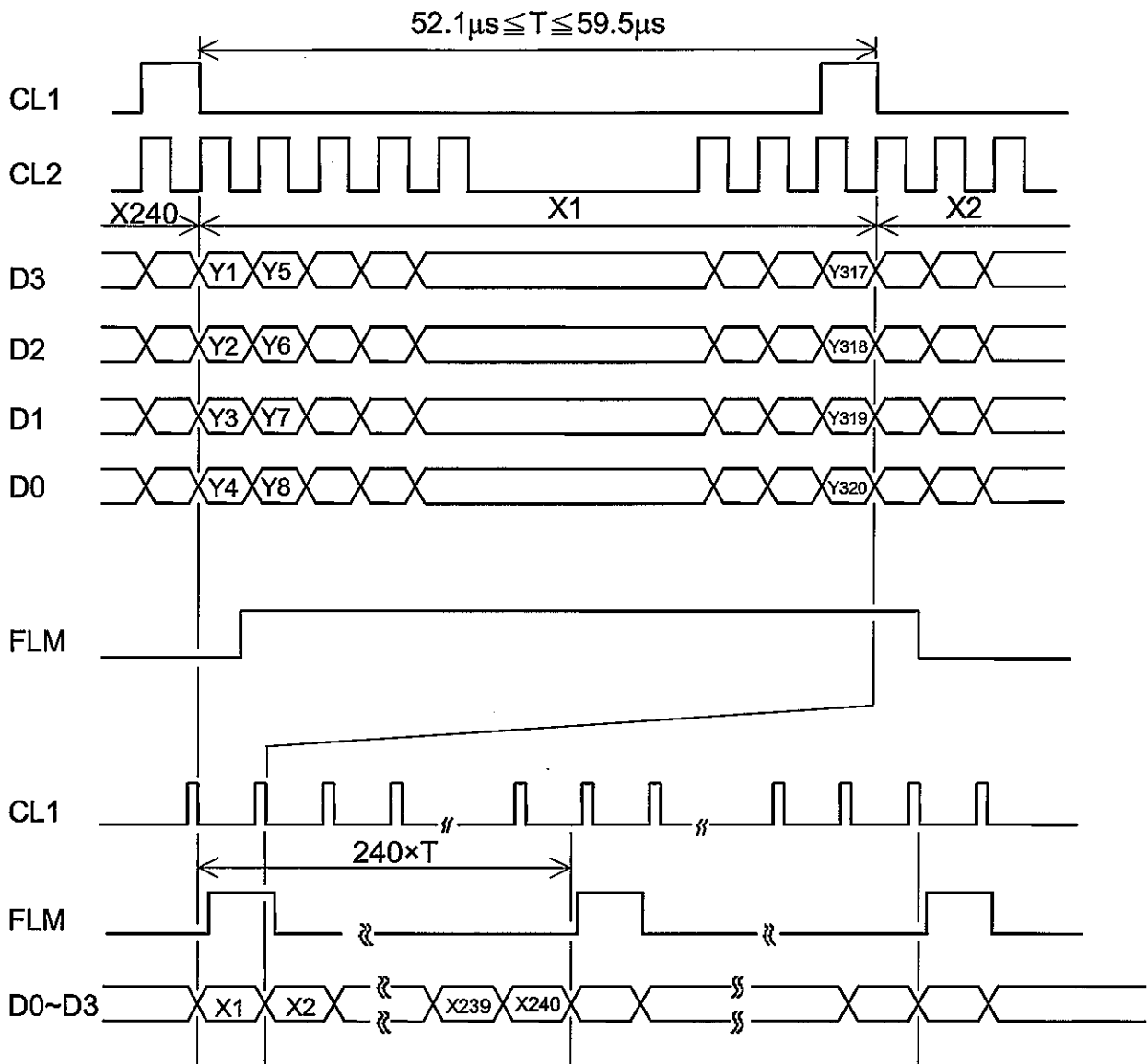
$$\left( \frac{\text{Max. or Min. Brightness} - \text{Average Brightness}}{\text{Average Brightness}} \right) \times 100$$

# 7. BLOCK DIAGRAM



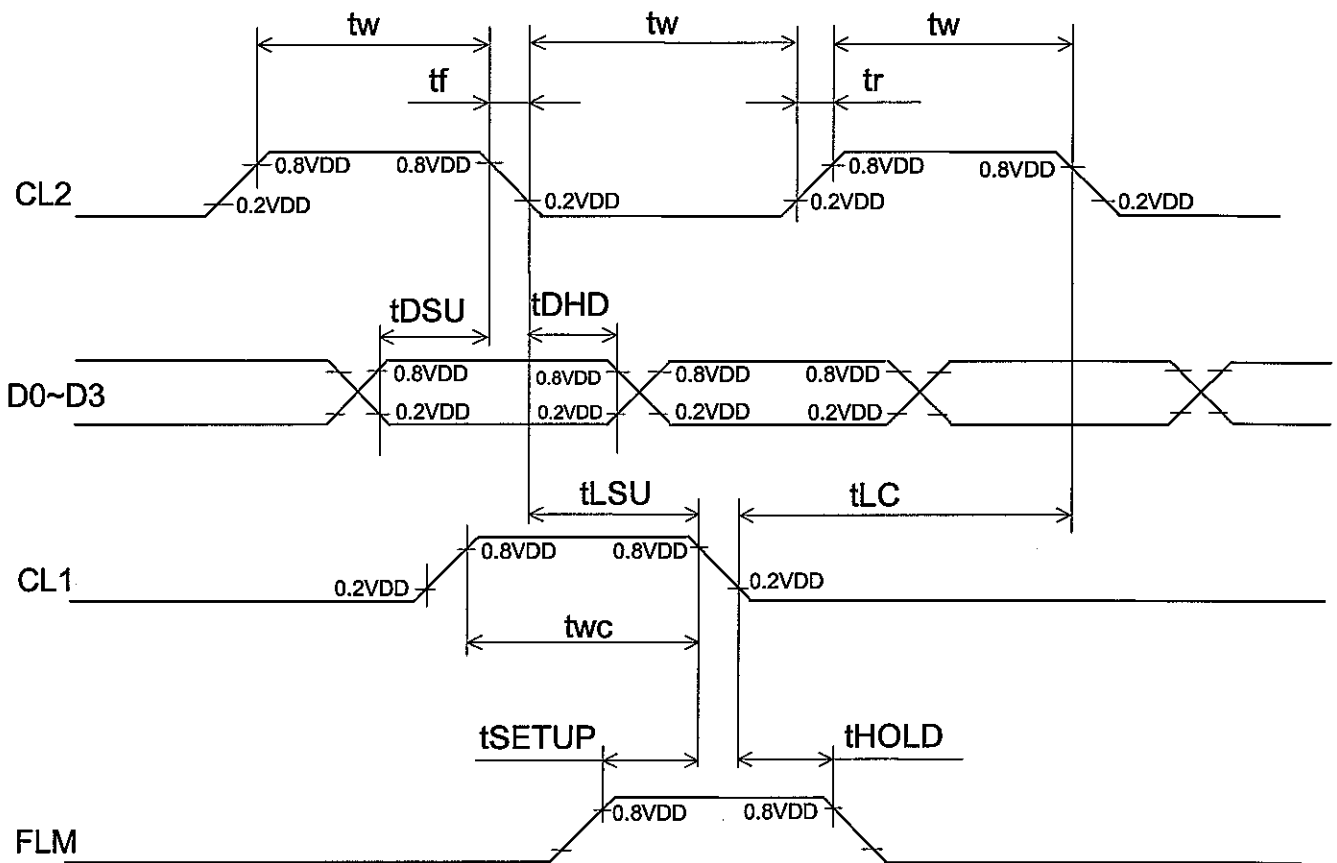
# 8. INTERFACE TIMING CHART

## 8.1 INTERFACE TIMING CHART

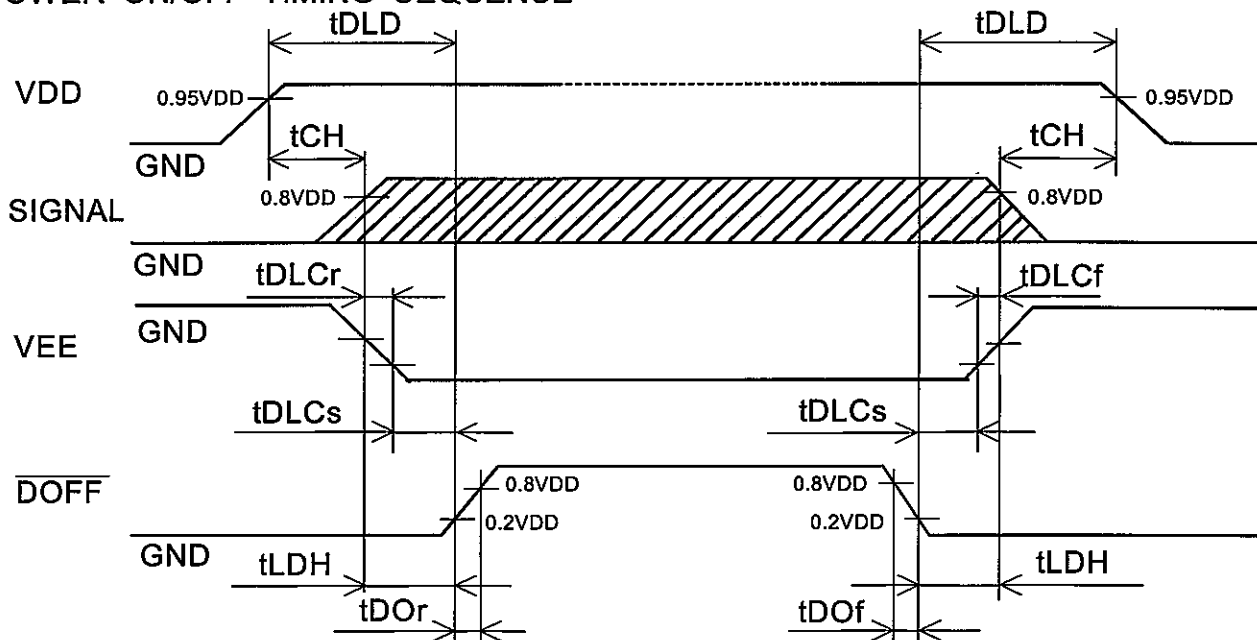


## 8.2 TIMING CHARACTERISTICS

| ITEM                | SYMBOL | MIN. | TYP. | MAX. | UNIT |
|---------------------|--------|------|------|------|------|
| CL2 frequency       | fCP    | -    | -    | 6.5  | MHz  |
| CL2 pulse width     | tw     | 45   | -    | -    | ns   |
| CL2 rise, fall time | tr,tf  | -    | -    | 15   | ns   |
| Data set up time    | tDSU   | 30   | -    | -    | ns   |
| Data hold time      | tDHD   | 30   | -    | -    | ns   |
| CL1 set up time     | tLSU   | 80   | -    | -    | ns   |
| CL1 clock time      | tLC    | 120  | -    | -    | ns   |
| "FLM" set up time   | tSETUP | 100  | -    | -    | ns   |
| "FLM" hold time     | tHOLD  | 100  | -    | -    | ns   |
| "CL1" pulse width   | twc    | 125  | -    | -    | ns   |



### 8.3 POWER ON/OFF TIMING SEQUENCE

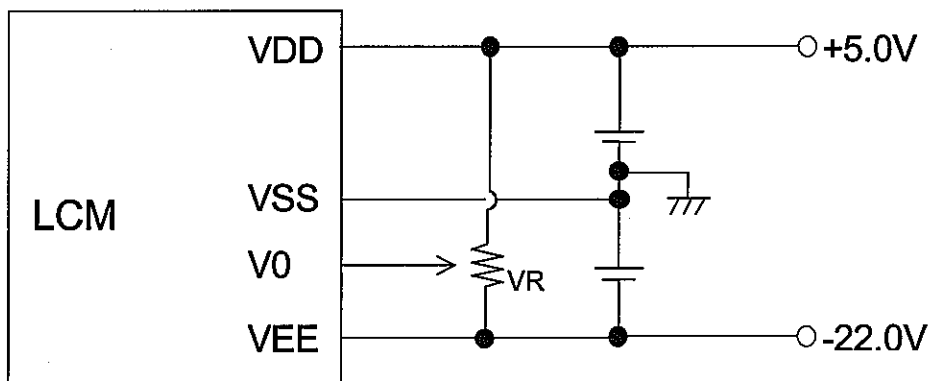


| SYMBOL | MIN. | MAX. | UNIT | COMMENT  |
|--------|------|------|------|----------|
| tDLD   | 50   | -    | ms   | (Note 1) |
| tCH    | 0    | 30   | ms   |          |
| tLDH   | 0    | -    | ms   |          |
| tDOOr  | -    | 100  | ns   | (Note 2) |
| tDOOf  | -    | 100  | ns   |          |
| tDLCr  | 0    | -    | ms   |          |
| tDLCf  | 0    | -    | ms   |          |
| tDLCs  | 20   | -    | ms   |          |

Note 1 : Please keep the specified sequence because wrong sequence may cause permanent damage to the LCD panel.

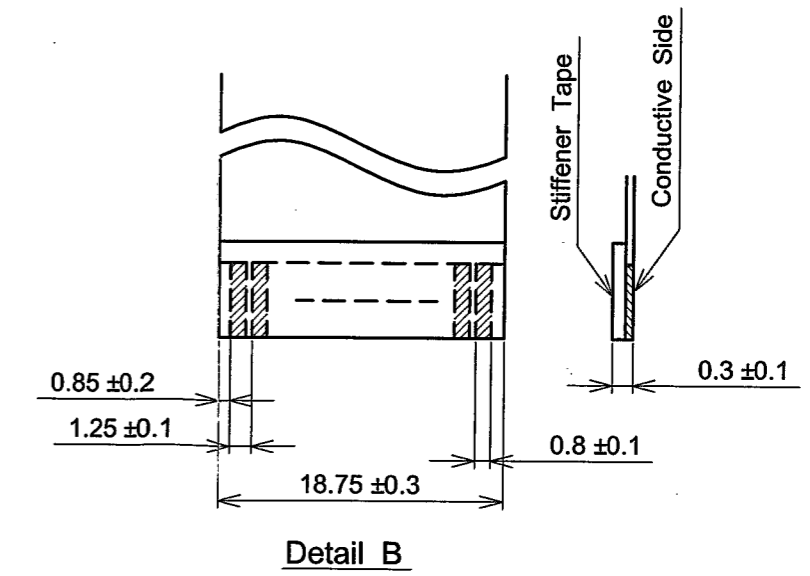
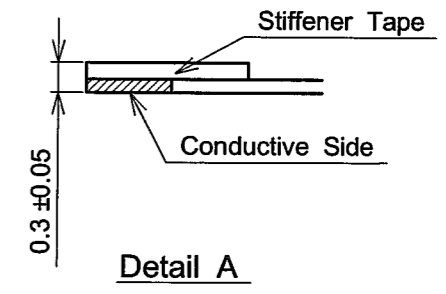
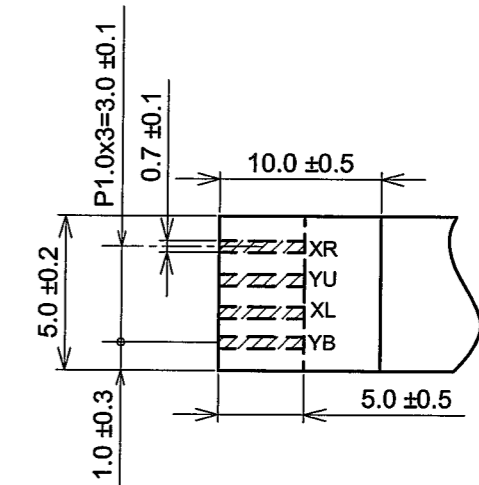
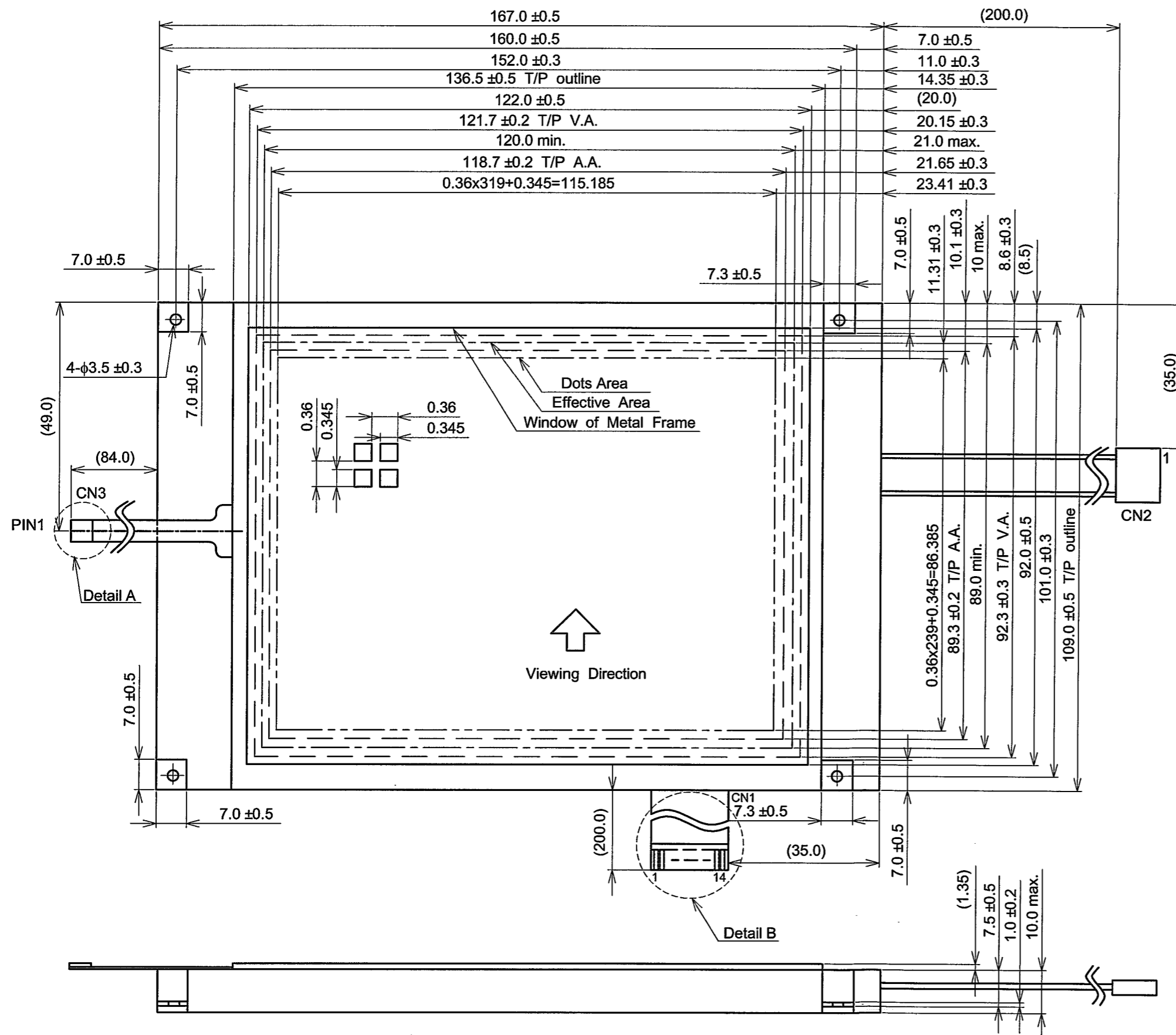
Note 2 : HITACHI recommends you to use DOFF function. Display quality may deteriorate if you don't use DOFF function.

### 8.4 POWER SUPPLY FOR LCM (EXAMPLE)



Note 1 : VR : 10kΩ

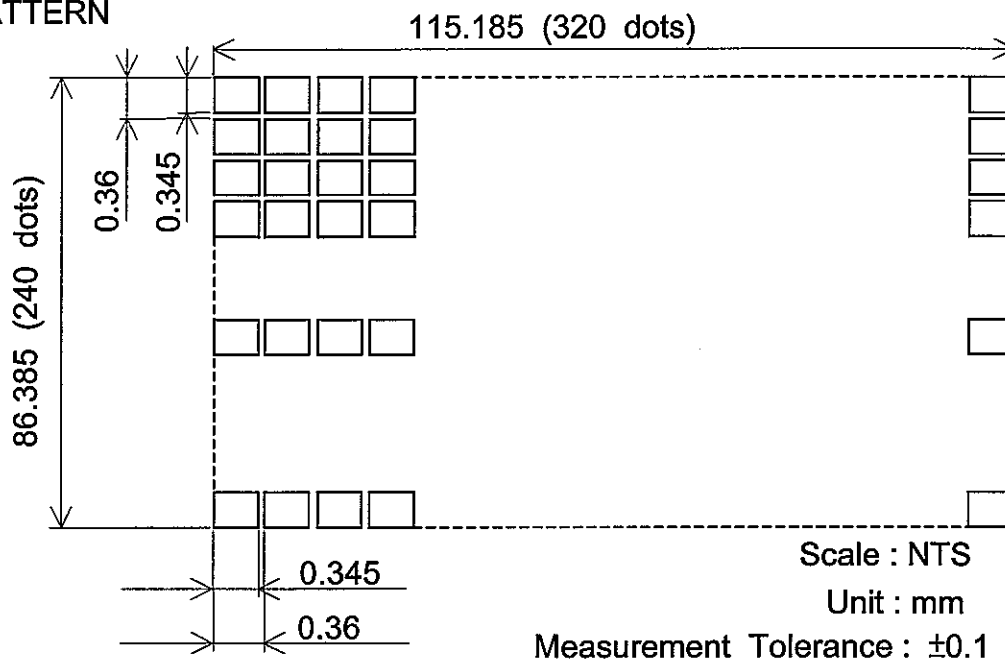
9. OUTLINE DIMENSIONS  
9.1 OUTLINE DIMENSIONS



Note 1 : Measurement when adding  $9.8 \times 10^4$  Pa at the measuring point.

Scale : NTS  
Unit : mm

## 9.2 DISPLAY PATTERN



## 9.3 INTERFACE PIN CONNECTION

FPC : pitch 1.25mm 14 pins

| INTERFACE | PIN No. | SIGNAL                   | LEVEL | FUNCTION                     |              |
|-----------|---------|--------------------------|-------|------------------------------|--------------|
| LCM       | CN1     | 1                        | D0    | H/L                          | Display Data |
|           |         | 2                        | D1    |                              |              |
|           |         | 3                        | D2    |                              |              |
|           |         | 4                        | D3    |                              |              |
|           | 5       | $\overline{\text{DOFF}}$ | H/L   | H : ON / L : OFF             |              |
|           | 6       | FLM                      | H     | First Line Marker            |              |
|           | 7       | N.C                      | -     | -                            |              |
|           | 8       | CL1                      | H→L   | Data Latch                   |              |
|           | 9       | CL2                      | H→L   | Data Shift                   |              |
|           | 10      | VDD                      | -     | Power Supply for Logic       |              |
|           | 11      | VSS                      | -     | GND                          |              |
|           | 12      | VEE                      | -     | Power Supply for LC          |              |
|           | 13      | V0                       | -     | Operating Voltage LC Driving |              |
|           | 14      | VSS                      | -     | GND                          |              |

| INTERFACE | PIN No. | SIGNAL | LEVEL   | FUNCTION |                      |
|-----------|---------|--------|---------|----------|----------------------|
| LCM       | CN2     | 1      | VLED(+) | -        | Power Supply for LED |
|           |         | 2      | N.C     | -        | -                    |
|           |         | 3      | N.C     | -        | -                    |
|           |         | 4      | VLED(-) | -        | LED GND              |

LED I / F : J.A.E / IL-G-4S-S3C2

| INTERFACE | PIN No. | SIGNAL | FUNCTION |                                     |
|-----------|---------|--------|----------|-------------------------------------|
| T/P       | CN3     | 1      | XR       | Analog Signal from Digitizer Right  |
|           |         | 2      | YU       | Analog Signal from Digitizer Up     |
|           |         | 3      | XL       | Analog Signal from Digitizer Left   |
|           |         | 4      | YB       | Analog Signal from Digitizer Bottom |

FPC : pitch 1.0mm 4pins

Recommend suitable connector : (HIROSE) FH12-10(4)SA-ISH

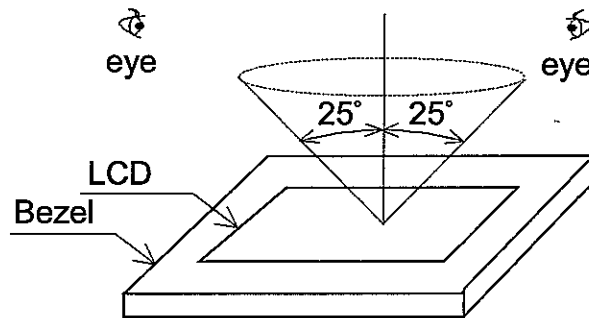
## 10. APPEARANCE STANDARD

### 10.1 APPEARANCE INSPECTION CONDITION

Visual inspection should be done under the following condition.

- (1) The inspection should be done under in the dark room.
- (2) The CFL should be lighted with the prescribed inverter.
- (3) The distance between eyes of an inspector and the LCD module is 25cm.
- (4) The viewing zone is shown the figure .

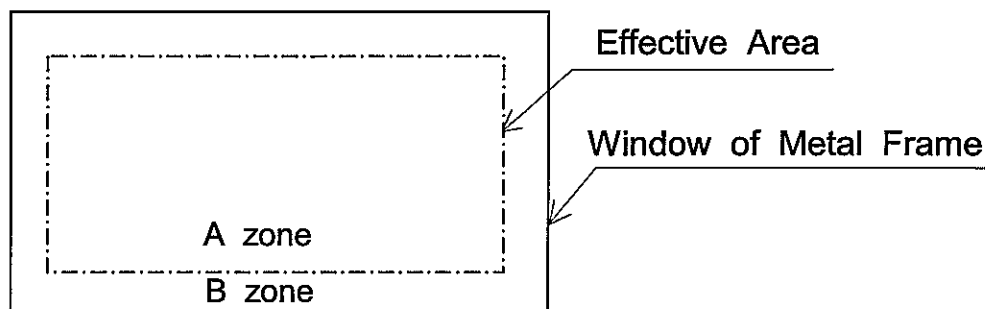
Viewing angle  $\leq 25^\circ$



### 10.2 DEFINITION OF EACH ZONE

A zone : Within the effective area specified at page 9-1/2 of this document.

B zone : Area between the window of metal frame and the effective area line specified at page 9-1/2 of this document.





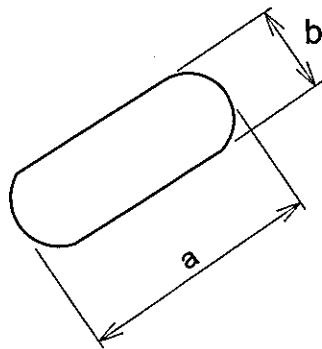
### 10.3 APPEARANCE SPECIFICATION

\*) If a problem occurs in respect to any of these items ,  
both parties(Customer and HITACHI) will discuss in more detail.

| No.                                | ITEM                                       | CRITERIA  |                                 |                              | A | B |   |
|------------------------------------|--|---|---------------------------------|------------------------------|---|---|---|
| L<br>C<br>D                        | Scratches                                  | Distinguished one is not acceptable<br>(To be judged by HITACHI limit sample) |                                 |                              | * | - |   |
|                                    | Dent                                       | Same as Above   |                                 |                              | * | - |   |
|                                    | Wrinkles in polarizer                      | Same as Above   |                                 |                              | * | - |   |
|                                    | Bubbles                                    | Average Diameter<br>D(mm)   |                                 | Maximum Number<br>Acceptable |   | ○ | - |
|                                    |  | $D \leq 0.2$  |                                 | Ignore                       |   |   |   |
|                                    |  | $0.2 < D \leq 0.3$  |                                 | 12                           |   |   |   |
|                                    |  | $0.3 < D \leq 0.5$  |                                 | 3                            |   |   |   |
|                                    |  | $0.5 < D$   |                                 | None                         |   |   |   |
|                                    | Stains,<br>Foreign Materials,<br>Dark Spot | Filamentous   |                                 |                              | ○ | - |   |
|                                    |  | Length<br>L(mm)   | Width<br>W(mm)                  | Maximum Number<br>Acceptable |   |   |   |
|                                    |  | $L \leq 2.0$  | $W \leq 0.03$                   | Ignore                       |   |   |   |
|                                    |  | $L \leq 3.0$  | $0.03 < W \leq 0.05$            | 6                            |   |   |   |
|                                    |  | $L \leq 2.5$  | $0.05 < W \leq 0.1$             | 1                            |   |   |   |
|                                    |  | Round   |                                 |                              | ○ | - |   |
|                                    |  | Average<br>Diameter<br>D(mm)  | Maximum Number<br>Acceptable    | Minimum<br>Space             |   |   |   |
|                                    |  | $D < 0.2$   | Ignore                          | -                            |   |   |   |
|                                    |  | $0.2 \leq D < 0.33$   | 8                               | 10mm                         |   |   |   |
|                                    |  | $0.33 \leq D$   | None                            | -                            |   |   |   |
|                                    | Total                                      | Filamentous + Round = 10  |                                 |                              |   |   |   |
|                                    | Those wiped out easily are acceptable      |   |                                 |                              | ○ | ○ |   |
|                                    | Color Tone                                 | To be judged by HITACHI limit sample  |                                 |                              | ○ | - |   |
|                                    | Color Uniformity                           | Same as above   |                                 |                              | ○ | - |   |
|                                    | Pinhole                                    | Average Diameter<br>D(mm)   |                                 | Maximum Number<br>Acceptable |   | ○ | - |
| $D \leq 0.15$                      |  | Ignore  |                                 |                              |   |   |   |
| $0.15 < D \leq 0.3$                |  | 10  |                                 |                              |   |   |   |
| $C \leq 0.015$                     |  | Ignore  |                                 |                              |   |   |   |
| Contrast<br>Irregularity<br>(Spot) | Average<br>Diameter<br>D(mm)               | Contrast  | Maximum<br>Number<br>Acceptable | Minimum<br>Space             | ○ | - |   |
|                                    | $D \leq 0.25$                              | To be<br>judged by<br>HITACHI   | Ignore                          | -                            |   |   |   |
|                                    | $0.25 < D \leq 0.35$                       |   | 10                              | 20mm                         |   |   |   |
|                                    | $0.35 < D \leq 0.5$                        |   | 4                               | 20mm                         |   |   |   |
|                                    | $0.5 < D$                                  |   | None                            | -                            |   |   |   |

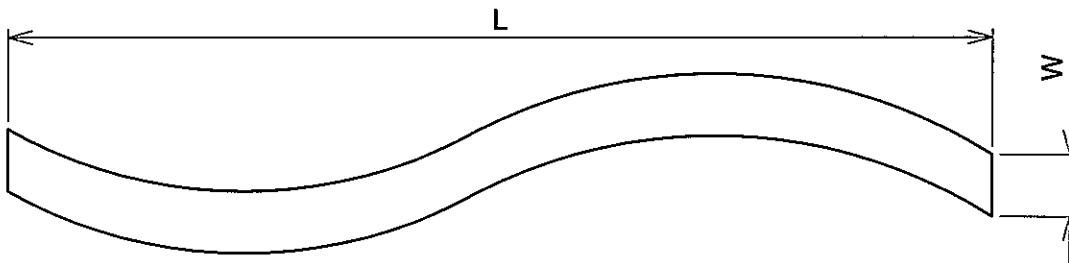
| No. | ITEM                                       |                                  |              |                           |               | A | B |
|-----|--|----------------------------------|--------------|---------------------------|---------------|---|---|
| LCD | Contrast Irregularity (Line) (Filamentous) | Width D(mm)                      | Length L(mm) | Maximum Number Acceptable | Minimum Space | ○ | — |
|     |  | $W \leq 0.25$                    | $L \leq 1.2$ | 2                         | 20mm          |   |   |
|     |  | $W \leq 0.2$                     | $L \leq 1.5$ | 3                         | 20mm          |   |   |
|     |  | $W \leq 0.15$                    | $L \leq 2.0$ | 3                         | 20mm          |   |   |
|     |  | $W \leq 0.1$                     | $L \leq 3.0$ | 4                         | 20mm          |   |   |
|     | Total                                      |                                  |              |                           | 6             |   |   |
|     | Rubbing Scratch                            | To be judged by HITACHI standard |              |                           |               | ○ | — |

Note 1 : Definition of average diameter (D)

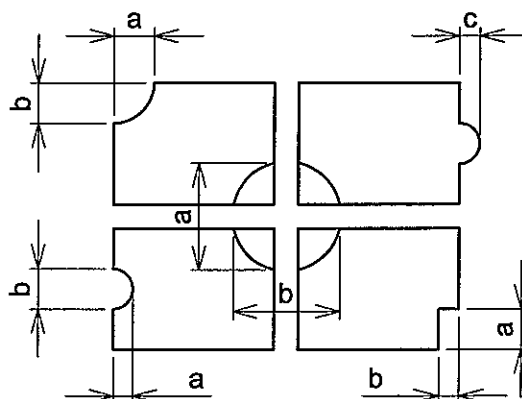


$$\frac{a+b}{2} = D \dots \text{Average Diameter}$$

Note 2 : Definition of length (L) and width (W)



Note 3 : Definition of pinhole



c : Salience

## 11. PRECAUTION IN DESIGN

### 11.1 LC DRIVING VOLTAGE (VEE) AND VIEWING ANGLE RANGE

Setting VEE out of the recommended condition will be a cause for a change of viewing angle range.

### 11.2 PRECAUTIONS AGAINST STATIC CHARGE

As this module contains C-MOS LSIs, it is not strong against electrostatic discharge. Make certain that the operator's body is connected to the ground through a wrist band etc. And don't touch I/F pins directly.

### 11.3 POWER ON SEQUENCE

Input signals should not be applied to LCD module before power supply voltage is applied and reaches to specified voltage (VDD).

If above sequence is not kept, C-MOS LSIs of LCD modules may be damaged due to latch up problem.

### 11.4 PACKAGING

- (1) No leaving product is preferable in the place of high humidity for a long period of time. For their storage in the place where temperature is 35 °C or higher, special care to prevent them from high humidity is required. A combination of high temperature and high humidity may cause them polarization degradation as well as bubble generation and polarizer peel-off. Please keep the temperature and humidity within the specified range for use and storage.
- (2) Since polarizers tend to be easily damaged, They should be handled full with care so as not to get them touched, pushed or rubbed.
- (3) As the adhesives used for adhering polarizers are made of organic substances which will be deteriorated by a chemical reaction with such chemicals as acetone, toluene, ethanol and isopropyl alcohol. The following solvents are recommended for use:  
normal hexane  
Please contact us when it is necessary for you to use chemicals.
- (4) Lightly wipe to clean the dirty surface with absorbent cotton waste or other soft material like chamois, soaked in the chemicals recommended without scrubbing it hardly. To prevent the display surface from damage and keep the appearance in good state, it is sufficient, in general, to wipe it with absorbent cotton.
- (5) Immediately wipe off saliva or water drop attached on the display area because its long period adherence may cause deformation or faded color on the spot.
- (6) Foggy dew deposited on the surface due to coldness will be caused for polarizer damage, stain and dirt on product. When necessary to take out the products from some place at low temperature for test, etc. It is required for them to be warmed up in a container once at the temperature higher than that of room.
- (7) Touching the display area and contact terminals with bare hands and contaminating them are prohibited, because the stain on the display area and poor insulation between terminals are often caused by being touched by bare hands.  
(Some cosmetics are detrimental to polarizers.)

(8) In general the quality of glass is fragile so that it tends to be cracked or chipped in handling, specially on its periphery. Be careful not to give it sharp shock caused by dropping down, etc.

#### 11.5 CAUTION FOR OPERATION

- (1) It is an indispensable condition to drive LCDs within the specified voltage limit since the higher voltage than the limit causes the shorter LCD life. An electrochemical reaction due to direct current causes LCDs undesirable deterioration, so that the use of direct current driver should be avoided.
- (2) Response time will be extremely delayed at lower temperature than the operating temperature range and on the other hand at higher temperature LCDs show dark blue color in them. However those phenomena do not mean malfunction or out of order with LCDs which will come back in the specified operating temperature range.
- (3) If the display area is pushed hard during operation, some font will be abnormally displayed but it resumes normal condition after turning off once.
- (4) A slight dew depositing on terminals is a cause for electrochemical reaction resulting in terminal open circuit. Please operate the LCD module under the relative condition of 40°C 85%RH.

#### 11.6 STORAGE

In case of storing for a long period of time (for instance, for years) for the purpose of replacement use, the following ways are recommended.

- (1) Storage in a polyethylene bag with the opening sealed, so the fresh air will not be entered from outside.
- (2) Placing in a dark place where neither exposure to direct sunlight nor light is, keeping temperature in the range from 0 °C to 35 °C.
- (3) Storing with no touch on polarizer surface by anything else. (It is recommended to store them as they have been contained in the inner container at the time of delivery from us.)

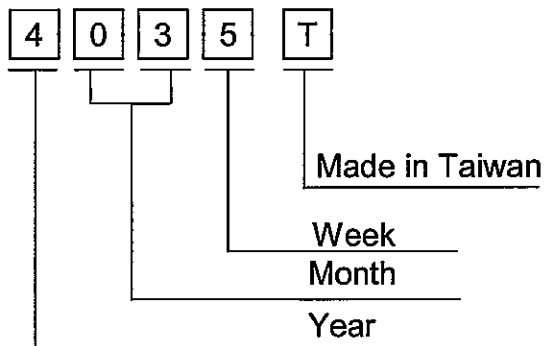
#### 11.7 SAFETY

- (1) It is recommendable to crash damaged or unnecessary LCDs into pieces and wash off liquid crystal by either of solvents such as acetone and ethanol, which should be burned up later.
- (2) When any liquid leaked out of a damaged glass cell comes in contact with your hands, please wash it off well with soap and water.

## 12. DESIGNATION OF LOT MARK

### LOT MARK

Lot mark is consisted of 4 digital number.



| YEAR | FIGURE IN LOT MARK |
|------|--------------------|
| 2004 | 4                  |
| 2005 | 5                  |
| 2006 | 6                  |
| 2007 | 7                  |
| 2008 | 8                  |

Note 1 Some products have alphabet at the end or the first.

| MONTH | FIGURE IN LOT MARK | MONTH | FIGURE IN LOT MARK |
|-------|--------------------|-------|--------------------|
| Jan.  | 01                 | Jul.  | 07                 |
| Feb.  | 02                 | Aug.  | 08                 |
| Mar.  | 03                 | Sep.  | 09                 |
| Apr.  | 04                 | Oct.  | 10                 |
| May   | 05                 | Nov.  | 11                 |
| Jun.  | 06                 | Dec.  | 12                 |

| WEEK (DAY IN CALENDAR) | FIGURE IN LOT MARK |
|------------------------|--------------------|
| 01~07                  | 1                  |
| 08~14                  | 2                  |
| 15~21                  | 3                  |
| 22~28                  | 4                  |
| 29~31                  | 5                  |

Location of lot mark : on the back side of LCM

4035T

### 13. PRECAUTION FOR USE

13.1 A limit sample should be provided by the both parties on an occasion when the both parties agreed its necessity. Judgment by a limit sample shall take effect after the limit sample has been established and confirmed by the both parties.

13.2 On the following occasions, the handling of the problem should be decided through discussion and agreement between responsible persons of the both parties.

- (1) When a question is arisen in the specifications.
- (2) When a new problem is arisen which is not specified in this specifications.
- (3) When an inspection specifications change or operating condition change in customer is reported to HITACHI, and some problem is arisen in this specification due to the change.
- (4) When a new problem is arisen at the customer's operating set for sample evaluation in the customer site.

The precaution that should be observed when handling LCM have been explained above. If any points are unclear or if you have any request , please contact HITACHI.

## 14. TOUCH PANEL SPECIFICATION

### 14.1 RATINGS

#### 14.1.1 ABSOLUTE MAXIMUM RATINGS

| ITEM              | SPECIFICATION | COMMENT                 |
|-------------------|---------------|-------------------------|
| Operating Voltage | 7V            | Without<br>Condensation |
| Contact Current   | 20mA          |                         |

#### 14.1.2 OPERATING CONDITIONS

| ITEM              | SPECIFICATION                 |
|-------------------|-------------------------------|
| Operating Voltage | 5.0 / 3.3 VDC                 |
| Contact Current   | 10 ~ 20 mA                    |
| Actuation Force   | 80g max. (R8,Silicone rubber) |

### 14.2 SURFACE HARDNESS

2H

### 14.3 OPTICAL CHARACTERISTICS

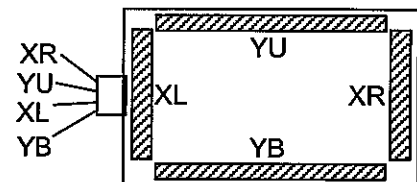
14.3.1 TRANSPARENCY : 76%.min.

(WAVE LENGTH : 450 ~ 700nm)

### 14.4 ELECTRICAL CHARACTERISTICS

#### 14.4.1 CONDUCTIVE RESISTANCE

| TERMINAL | CONDUCTIVE RESISTANCE |
|----------|-----------------------|
| XR-XL    | 150~1300Ω             |
| YU-YB    | 150~1300Ω             |



#### 14.4.2 INSULATION RESISTANCE

| TERMINAL | INSULATION RESISTANCE | TESTING VOLTAGE |
|----------|-----------------------|-----------------|
| X-Y      | 20MΩ                  | 25VDC           |

#### 14.4.3 BOUNCE CHATTERING

10ms max.

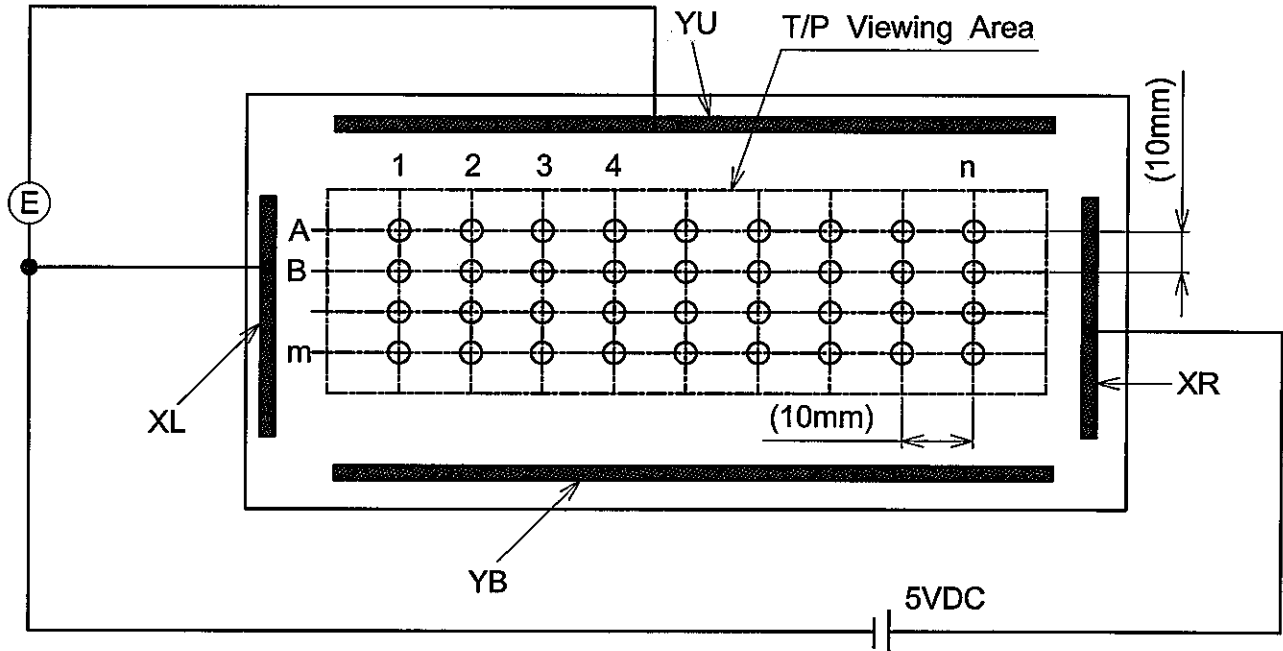
14.4.4 LINEARITY

(1) LINEARITY

Linearity Deviation : 2% max.

(2) TESTING CIRCUIT

(a) X axis linearity testing method ,100g , VXR-VXL=5V , VOUT=VYU.

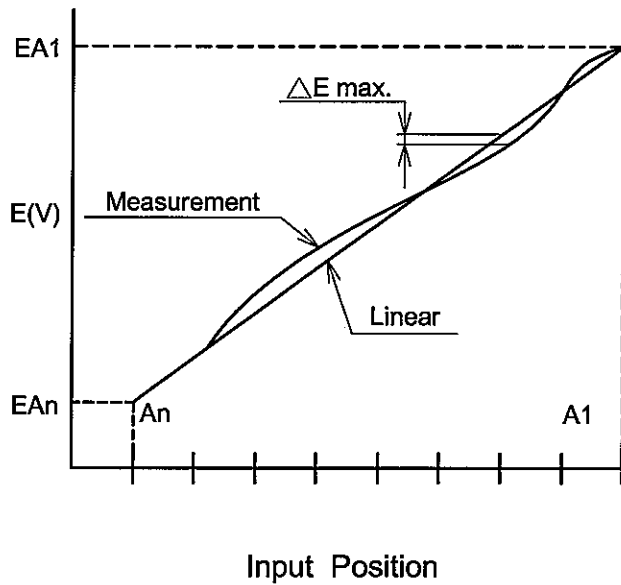


(b) Y axis linearity method , 100g VYU-VYB=5V , VOUT=VXR

(3) CALCULATION

(a) X axis linearity

$$\text{LINEARITY} = \frac{\Delta E \text{ max.}}{EA1 - EAn} \times 100(\%)$$





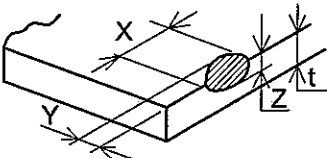
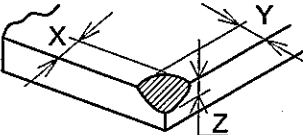
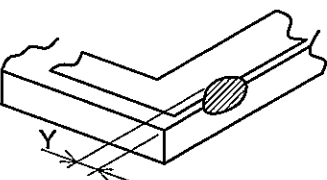
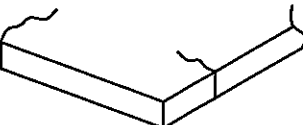
#### 14.5 ENVIRONMENTAL TESTING

| ITEM                     | CONDITIONS   | CRITERIA   |
|--------------------------|--|--|
| High Temperature Storage | 60°C : 120h & 25°C : 24h   | After testing must to meet the specifications of the Electrical, Mechanical & Optical Characteristics. |
| Low Temperature Storage  | -20°C : 120h & 25°C : 24h  |  |
| Temperature Cycle        | -20°C ↔ 70°C : 10 Cycles within (30) (60) (30) : minutes & 25°C : 24h (Without Condensation) |  |
| Humidity Storage         | 60°C , 90%RH. 120h   |  |
| Durability for Keystroke | 150g , R8, HS40 Silicon Rubber (Speed : 330mm/sec)<br><br>: 1000000 Activations              |  |

#### 14.6 APPEARANCE SPECIFICATION

| No.   | ITEM                  | CRITERIA               |                     |                           | A | B |
|-------|-----------------------|------------------------|---------------------|---------------------------|---|---|
| T / P | Hair Flaws            | FILAMENTOUS            |                     |                           | O | - |
|       |                       | Length L(mm)           | Width W(mm)         | Maximum Number Acceptable |   |   |
|       |                       | $L \leq 12$            | $W \leq 0.05$       | Ignore                    |   |   |
|       |                       | $L \leq 5$             | $0.05 < W \leq 0.1$ | 3                         |   |   |
|       |                       | $L > 2$                | $0.1 < W$           | None                      |   |   |
|       | Dot-shaped Impurities | Average Diameter D(mm) |                     | Maximum Number Acceptable | O | - |
|       |                       | $D \leq 0.1$           |                     | Ignore                    |   |   |
|       |                       | $0.1 < D \leq 0.3$     |                     | 5                         |   |   |
|       |                       | $0.3 < D$              |                     | None                      |   |   |
|       | Scratch               | FILAMENTOUS            |                     |                           | O | - |
|       |                       | Length L(mm)           | Width W(mm)         | Maximum Number Acceptable |   |   |
|       |                       | $L \leq 12$            | $W \leq 0.05$       | Ignore                    |   |   |
|       |                       | $L \leq 12$            | $0.05 < W \leq 0.1$ | 5                         |   |   |
|       |                       | $L > 12$               | $0.1 < W$           | None                      |   |   |

### 14.6.3 GLASS INDENTATION

| ITEM                       | SPECIFICATIONS  |          |   |   |            |            |          |
|----------------------------|---|----------|---|---|------------|------------|----------|
| Common Indentation         |  <table border="1" data-bbox="1066 235 1358 324"> <tr> <td>X</td> <td>Y</td> <td>Z</td> </tr> <tr> <td><math>\leq 5.0</math></td> <td><math>\leq 3.0</math></td> <td><math>\leq t</math></td> </tr> </table> <p data-bbox="1059 369 1358 459">But, indentation can not including seal area.<br/>t : Glass thickness.</p> | X        | Y | Z | $\leq 5.0$ | $\leq 3.0$ | $\leq t$ |
| X                          | Y   | Z        |   |   |            |            |          |
| $\leq 5.0$                 | $\leq 3.0$  | $\leq t$ |   |   |            |            |          |
| Corner Broken              |  <table border="1" data-bbox="1066 526 1358 616"> <tr> <td>X</td> <td>Y</td> <td>Z</td> </tr> <tr> <td><math>\leq 2.0</math></td> <td><math>\leq 5.0</math></td> <td><math>\leq t</math></td> </tr> </table> <p data-bbox="1059 672 1358 739">But, indentation can not including seal area.</p>                          | X        | Y | Z | $\leq 2.0$ | $\leq 5.0$ | $\leq t$ |
| X                          | Y   | Z        |   |   |            |            |          |
| $\leq 2.0$                 | $\leq 5.0$  | $\leq t$ |   |   |            |            |          |
| Indentation Within Pattern |  <p data-bbox="986 940 1417 1030"><math>Y \leq 1</math> Is ignore<br/>But, Must to meet the specification of conducting pattern indentation.</p>   |          |   |   |            |            |          |
| Proceeding Crack           |  <p data-bbox="995 1153 1059 1176">None</p>  |          |   |   |            |            |          |

### 14.6.4 BLISTERING (PUFFINESS) : 0.4 mm max.

