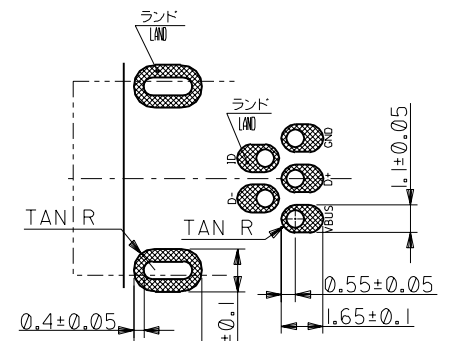
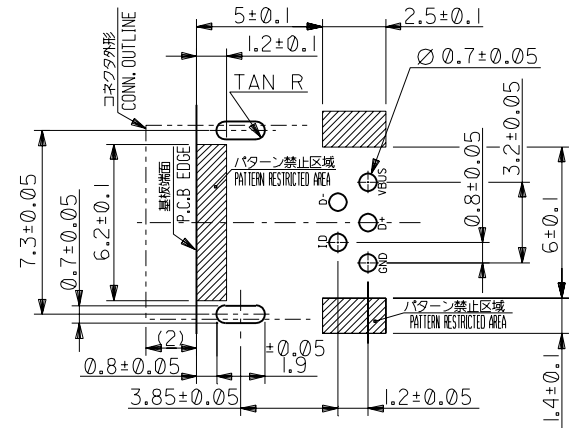
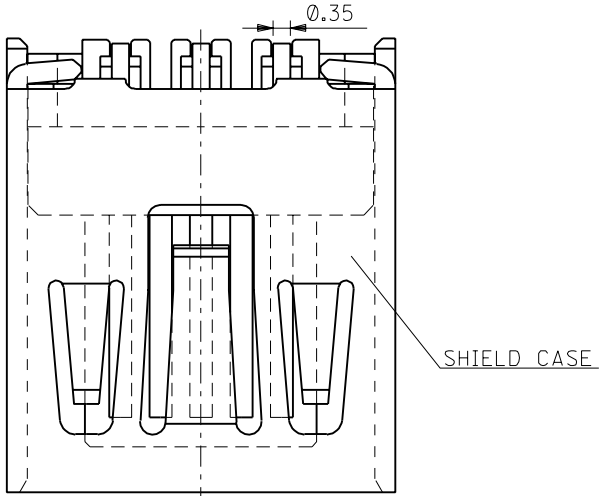
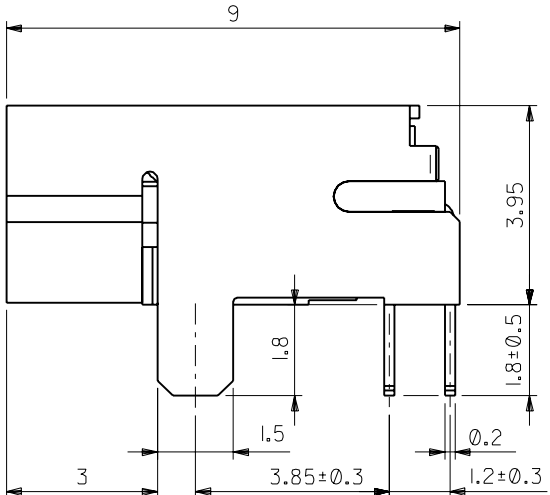
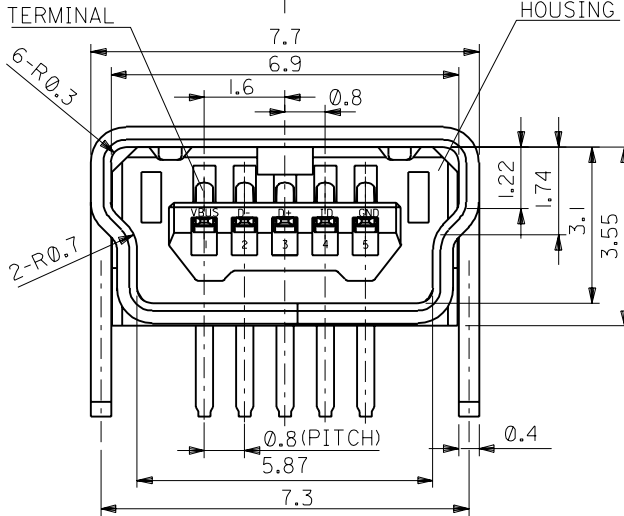


コネクタ実装側 (CONNECTOR MOUNT SIDE)

逆側 (REVERSE SIDE)



推奨基板寸法
RECOMMENDED P.C.B. PATTERN LAYOUT



注記 1. 材質
NOTES MATERIAL

ハウジング:ポリフタルアミド ガラス充填, 黒色, UL 94V-0
 HOUSING: POLYPHTHAL AMIDE GLASS FILLED, BLACK, UL94V-0
 ターミナル: 銅合金 (t=0.2)
 TERMINAL: COPPER ALLOY (t=0.2)
 シールド ケース: 銅合金 (t=0.4)
 SHIELD CASE: COPPER ALLOY (t=0.4)

2. メッキ仕様
PLATING

ターミナル
TERMINAL
 接点部: 金メッキ 0.75μm MIN.
 CONTACT AREA: GOLD 0.75MICRO METER MIN.
 半田付け部: 半田メッキ 3.8μm MIN.
 SOLDER TAIL AREA: TIN-LEAD 3.8MICRO METER MIN.
 下地部: ニッケルメッキ 1.25μm MIN.
 UNDER PLATING: NICKEL 1.25MICRO METER MIN.
 シールド ケース
SHIELD CASE
 : 半田メッキ 2.5μm MIN.
 : TIN-LEAD 2.5MICRO METER MIN.
 下地部: ニッケルメッキ 1μm MIN.
 UNDER PLATING: NICKEL 1MICRO METER MIN.

DO NOT SCALE DRAWING

064 NO. DRWN: CH'K: APPR:	063 NO. DRWN: CH'K: APPR:	REVISED 02 NO. J2002-0793 DRWN: TAKAHASHI 01/00/04 CH'K: THIRATA 01/00/04 APPR: MASASAO 01/00/04	REVISED 01 NO. JD2001-0190 DRWN: TAKAHASHI 00/08/02 CH'K: MASASAO 00/08/02 APPR: HIKESUGI 00/08/02	RELEASED 06 NO. JD2000-1241 DRWN: TAKAHASHI 00/06/26 CH'K: MASASAO 00/06/26 APPR: HIKESUGI 00/06/26	MATERIAL 材料 SEE NOTES	GENERAL TOLERANCES: (UNLESS SPECIFIED) 一般公差	SCALE	DESIGN UNITS	DIMENSIONS: <input type="checkbox"/> mm <input type="checkbox"/> INCH <input checked="" type="checkbox"/> mm ONLY	SHT	REV
							10 - 11	<input checked="" type="checkbox"/> mm <input type="checkbox"/> INCH		PROJECTION	REVISE ON CAD ONLY
B	A	0	#	#	DESCRIPTION 仕様 SEE NOTES	10 UNDER 未満	±0.2	DRAWN BY & DATE	TITLE: USB SERIES MINI-B RECEPTACLE ASS'Y	MOLEX INCORPORATED	SHEET NO. 1 OF 2
						10 OVER 30 UNDER 未満	±0.25	R. Takahashi 00/5/17 CHECKED BY & DATE H. Sano 00/5/17			
8	7	6	5	4	3	30 OVER 以上	±0.3	APPROVED BY & DATE H. Sano 00/5/17	MATERIAL NO. 54819-0511	DRAWING NO. SD-54819-008	SIZE B
						ANGLE 角度	±3°	CAD FILENAME SD-54819-008.S01			

DWG. NO. SD-54819-008

F

D

V

C

B

DO NOT SCALE DRAWING

8 7 6 5 4 3 2 1

F

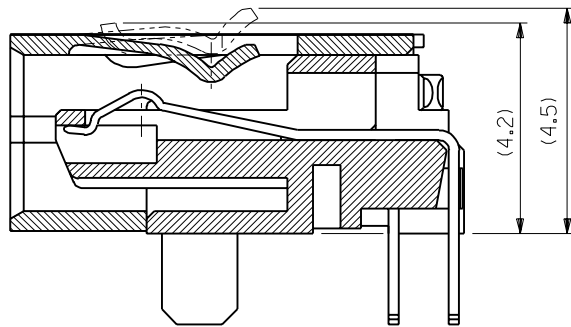
E

D

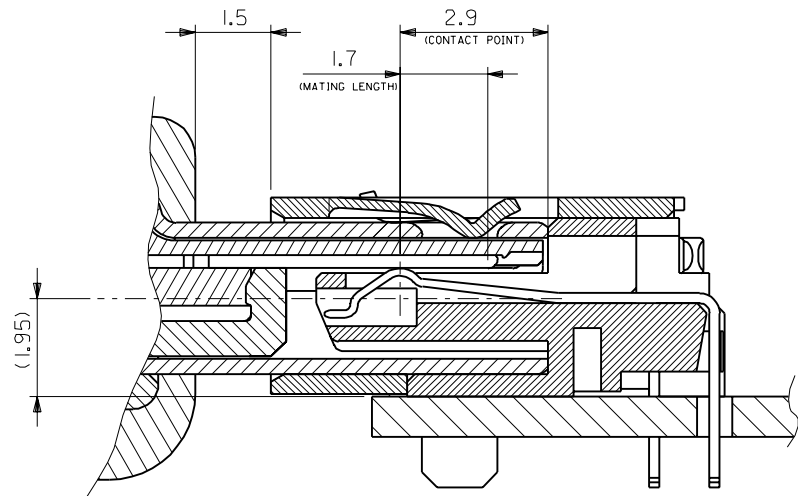
C

B

A



SECTION



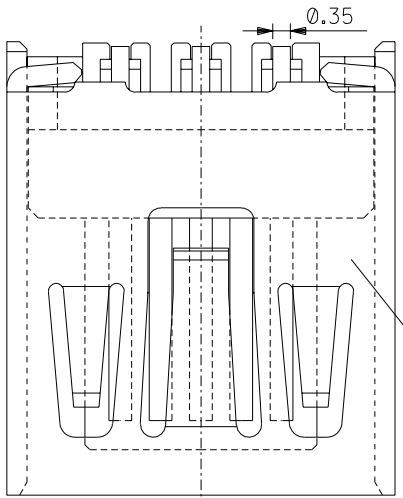
MATING

DIMENSIONS: <input type="checkbox"/> mm <input type="checkbox"/> INCH <input checked="" type="checkbox"/> mm ONLY		SHT	REV
DIMENSIONS: <input type="checkbox"/> mm <input type="checkbox"/> INCH <input checked="" type="checkbox"/> mm ONLY		2	1
GENERAL TOLERANCES: (UNLESS SPECIFIED) 一般公差		TITLE: USB SERIES MINI-B RECEPTACLE ASS'Y	
10 UNDER 未滿 10 OVER 30 UNDER 未滿 30 OVER 以上		DRAWN BY & DATE R. Takahashi 00/5/17 CHECKED BY & DATE H. Sano 00/5/17 APPROVED BY & DATE H. Sano 00/5/17	
WIRE RANGE 適用電線範圍		MATERIAL NO. 54819-0511 DRAWING NO. SD-54819-008 SHEET NO. 2	
INS. RANGE 被覆外径		MOLEX INCORPORATED	
MATERIAL 材料 SEE NOTES		CAD FILENAME SD-54819-008.S02	
FINISH 仕上り SEE NOTES		THIS DRAWING CONTAINS INFORMATION THAT IS PROPRIETARY TO MOLEX INCORPORATED AND SHOULD NOT BE USED WITHOUT WRITTEN PERMISSION.	
REV		SIZE B	

8 7 6 5 4 3 2 1 EN-02J(097) MXJ-54

DWG. NO. SD-54819-026

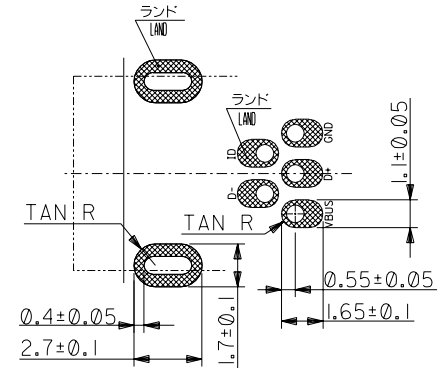
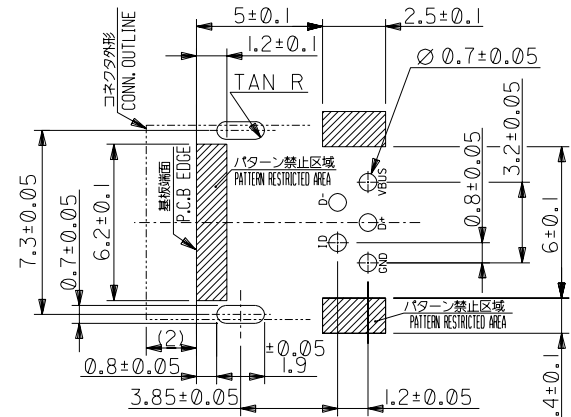
8 7 6 5 4 3 2 1



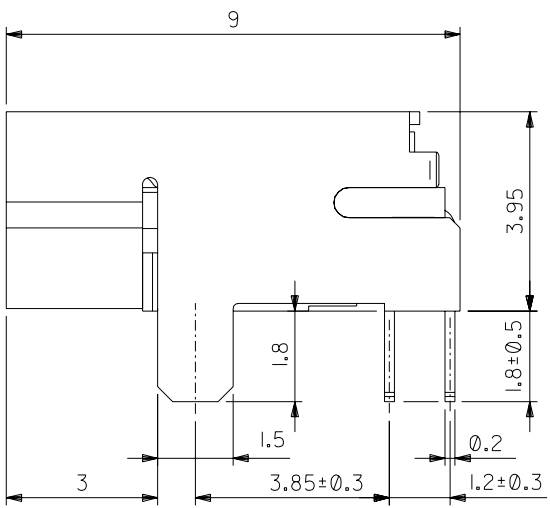
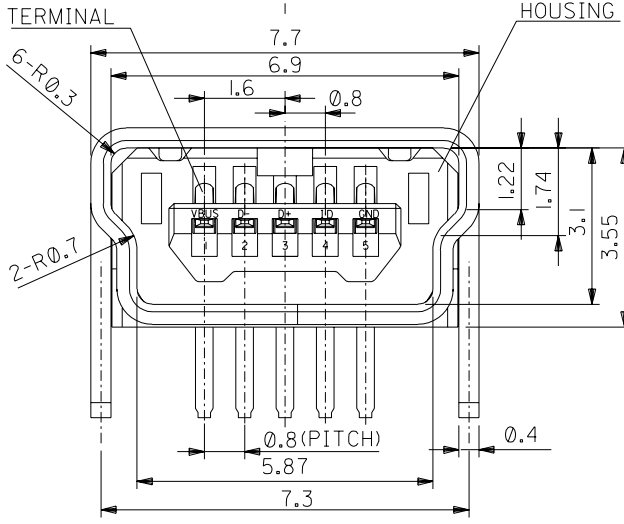
SHIELD CASE

コネクタ実装側 (CONNECTOR MOUNT SIDE)

逆側 (REVERSE SIDE)



推奨基板寸法
RECOMMENDED P.C.B. PATTERN LAYOUT



注記 1. 材質
NOTES MATERIAL

ハウジング: ポリフタルアミド ガラス充填, 黒色, UL94V-0
HOUSING: POLYPHTHAL AMIDE GLASS FILLED, BLACK, UL94V-0
ターミナル: 銅合金 (t=0.2)
TERMINAL: COPPER ALLOY (t=0.2)
シールド ケース: 銅合金 (t=0.4)
SHIELD CASE: COPPER ALLOY (t=0.4)

2. メッキ仕様
PLATING

ターミナル
TERMINAL
接点部: 金メッキ 0.76μm MIN.
CONTACT AREA: GOLD 0.76MICRO METER MIN.
半田付け部: 錫メッキ 1.0μm MIN.
SOLDER TAIL AREA: TIN 1.0MICRO METER MIN.
下地部: ニッケルメッキ 1.0μm MIN.
UNDER PLATING: NICKEL 1.0MICRO METER MIN.
シールド ケース
SHIELD CASE
: 錫メッキ 1.0μm MIN.
: TIN 1.0MICRO METER MIN.
下地部: ニッケルメッキ 1.0μm MIN.
UNDER PLATING: NICKEL 1.0MICRO METER MIN.

3. 本製品は54819-0511の鉛フリー品である。
THIS PRODUCT IS LEAD FREE OF 54819-0511.

DO NOT SCALE DRAWING

164 NO. DRWN: CH'K: APPR:	163 NO. DRWN: CH'K: APPR:	162 NO. DRWN: CH'K: APPR:	161 NO. DRWN: CH'K: APPR:
------------------------------	------------------------------	------------------------------	------------------------------

新規作成 RELEASED
新規/作成
0
DRWN: M. NAGATA '04/04/28
CH'K: K. TOJO '04/04/28
APPR: M. SASAO '04/04/28

MATERIAL 材料	SEE NOTES
FINISH 仕上げ	SEE NOTES
WIRE RANGE 適用 線径 範囲	— #
INS. RANGE 被覆 外径	— #

GENERAL TOLERANCES: (UNLESS SPECIFIED) 一般公差	10 UNDER 未満	±0.2
	10 OVER 以上 30 UNDER 未満	±0.25
	30 OVER 以上	±0.3
ANGLE 角度		±3°

MODEL NO.	54819-**-19	DIMENSIONS:	<input type="checkbox"/> mm <input type="checkbox"/> INCH	SHT	REV
DESIGN UNITS	<input checked="" type="checkbox"/> mm <input type="checkbox"/> INCH	<input type="checkbox"/> mm <input type="checkbox"/> INCH	<input checked="" type="checkbox"/> mm ONLY	<input type="checkbox"/> mm ONLY	<input type="checkbox"/> INCH ONLY
SCALE	10 : 1	PROJECTION	<input checked="" type="checkbox"/> FIRST ANGLE	TITLE:	
DESIGNED BY & DATE	M. NAGATA '04/04/27	CHECKED BY & DATE	K. TOJO '04/04/27	USB SERIES MINI-B RECEPTACLE ASS'Y -LEAD FREE-	
APPROVED BY & DATE	M. SASAO '04/04/27	MOLEX INCORPORATED			
CAD FILENAME	SD-54819-026.S01	MATERIAL NO.	SEE CHART	DRAWING NO.	SD-54819-026
		SHEET NO.	1 OF 2		

54819-0519
MATERIAL NO.

DWG. NO. SD-54819-026

F

D

V

C

B

DO NOT SCALE DRAWING

8 7 6 5 4 3 2 1

F

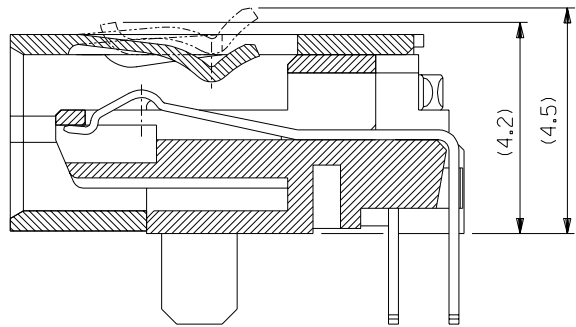
E

D

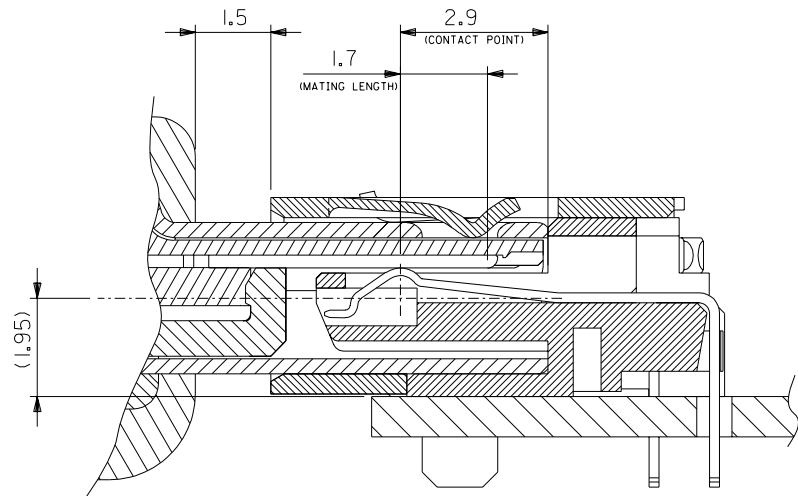
C

B

A



SECTION



MATING

66 NO. DRWN: CH'K: APPR:	63 NO. DRWN: CH'K: APPR:	62 NO. DRWN: CH'K: APPR:	61 NO. DRWN: CH'K: APPR:	60 NO. DRWN: CH'K: APPR:
SEE SHEET 1				

MATERIAL 材料	SEE NOTES
FINISH 仕上り	SEE NOTES
WIRE RANGE 適用電線範囲	#
INS. RANGE 被覆外径	#

GENERAL TOLERANCES: (UNLESS SPECIFIED) 一般公差	SCALE 10 : 1
10 UNDER 未満	±0.2
10 OVER 30 UNDER 以上 未満	±0.25
30 OVER 以上	±0.3
ANGLE 角度	±3°

MODEL NO. 54819-***19	DIMENSIONS: <input type="checkbox"/> mm <input type="checkbox"/> INCH <input checked="" type="checkbox"/> mm ONLY	SHT 2 OF 2	REV B
DESIGN UNITS <input checked="" type="checkbox"/> mm <input type="checkbox"/> INCH	APPROX ANGLE PROJECTION <input checked="" type="checkbox"/> FIRST ANGLE	TITLE: USB SERIES MINI-B RECEPTACLE ASS'Y -LEAD FREE-	
DRAWN BY & DATE M.NAGATA '04/04/28	CHECKED BY & DATE K.TOJO '04/04/28	APPROVED BY & DATE M.SASAO '04/04/28	
CAD FILENAME SD-54819-026.S02	MATERIAL NO. SEE CHART	DRAWING NO. SD-54819-026	SHEET NO. 2 OF 2
THIS DRAWING CONTAINS INFORMATION THAT IS PROPRIETARY TO MOLEX INCORPORATED AND SHOULD NOT BE USED WITHOUT WRITTEN PERMISSION.			SIZE B

8 7 6 5 4 3 2 1 EN-02J(097) MXJ-54