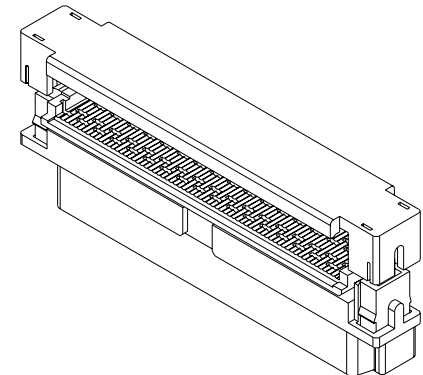
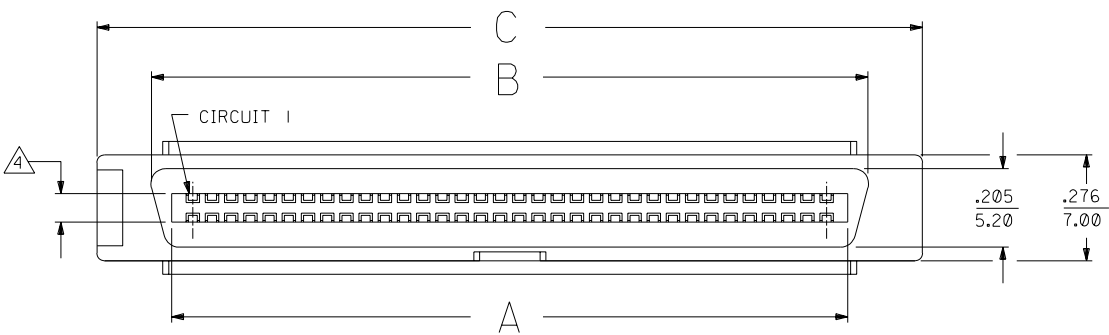
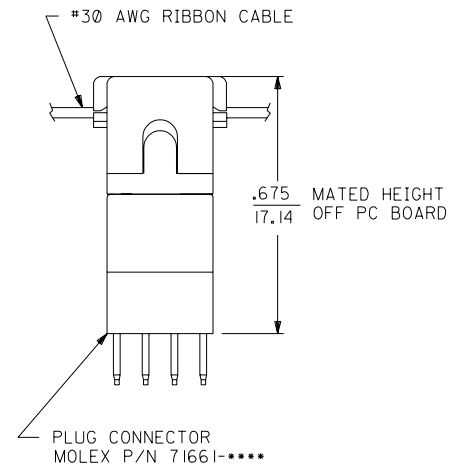
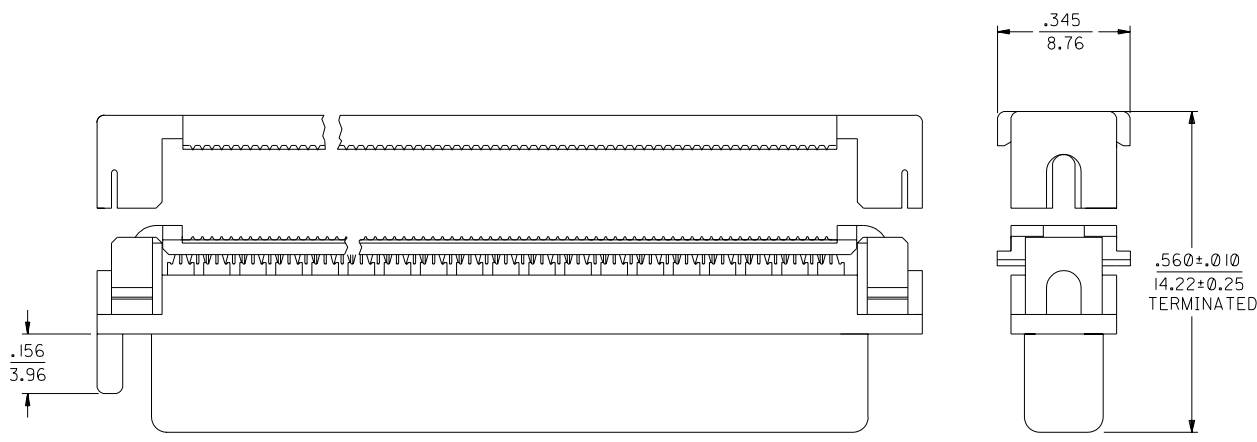


NOTES:

- 1) MATERIALS:  
HOUSING- LCP, GLASS FILLED, 94V-0, BLACK.  
ALIGNER, TERMINATION COVER- POLYESTER, GLASS FILLED, 94V-0, BLACK.  
TERMINALS- COPPER ALLOY
  - 2) PLATING:  
.000030 INCHES GOLD IN SELECTIVE CONTACT AREA OVER  
.000050-.000100 INCHES NICKEL IN CONTACT AREA.  
.000100-.000200 INCHES TIN IN SOLDER TAIL AREA.
  - 3) ASSEMBLY MATES WITH MOLEX P/N SDA-71661-\*\*\*\*.  
CONFORMS TO PRODUCT SPECIFICATION PS-71660.
- A** CONNECTOR WILL ACCEPT MATING TO A P.C. BOARD WITH A THICKNESS OF .062±.003.
- 5) CONNECTOR WILL TERMINATE .025  $\phi$  FLAT RIBBON CABLE, #30 AWG STRANDED OR SOLID, PVC INSULATION.
  - 6) PRODUCT IS SHIPPED AS A KIT. THE HOUSING/ALIGNER SUB-ASSEMBLY IS SHIPPED TRAY PACKED. THE TERMINATION COVER IS SHIPPED BULK PACKED.



68 CIRCUIT AS SHOWN  
SCALE- 2:1



NOTE FOR LEAD FREE CONVERSION:  
THE PRIMARY SHIPPING CARTON WILL BE LABELED "COMPLIANT TO ROHS DIRECTIVE 2002/95/EC AND ELV ANNEX II OF DIRECTIVE 2000/53/EC". CARTONS WITHOUT THIS LABEL MAY CONTAIN PRODUCT WITH LEAD.

J	LEAD FREE CONV ECR UCP2005-0071 RKADAMS 04/07/11	71660
I	REVISE IDT GEOMETRY ECN# UDT2002-013 DMORGAN 02/02/15	
H	REVISED PER UDT 2000-1231 ACHAMMER 00/06/07	
G	REVISED PER ECN U61587 6-19-96 DGA	
F	REVISED PER ECN U60008 7-10-95 RAN	
E	REVISED PER ECN U51108 5-5-95 RAN	
D	REVISED PER ECN U50872 2-28-95 RAN	
C	REVISED PER ECN U50793 2-10-95 RAN	
B	REVISED PER ECN U50158 9-4-94 RAN	
A	REVISED PER ECN U21513 10-27-92 RAN	
I	X-RELEASE PER ECN U21493 10-9-92 RAN	

2.445 (62.10)	2.166 (55.02)	2.025 (51.43)	80	015-92-3080	SDA-71660-3080
2.145 (54.48)	1.866 (47.40)	1.725 (43.81)	68	015-92-3068	SDA-71660-3068
1.945 (49.40)	1.666 (42.32)	1.525 (38.74)	60	015-92-3060	SDA-71660-3060
1.695 (43.05)	1.416 (35.97)	1.275 (32.38)	50	015-92-3050	SDA-71660-3050
1.445 (36.70)	1.166 (29.62)	1.025 (26.04)	40	015-92-3040	SDA-71660-3040
1.195 (30.35)	.916 (23.27)	.775 (19.68)	30	015-92-3030	SDA-71660-3030
C	B	A	CKT	EDP NUMBER	ENGINEERING NUMBER

DIMENSIONS SHOWN (METRIC) INCH UNLESS OTHERWISE SPECIFIED TOLERANCES: ANGULAR $\pm 1/2^\circ$		MFG, SH, REV, LTR, REVISIONS	
3 PLACE $\pm .005$		REVISIONS ONLY ON CAD SYSTEM	
2 PLACE $\pm .01$ $\pm 0.13$		TITLE SALES ASSEMBLY EBBI VERTICAL IDT RECEPTACLE CONNECTOR	
1 PLACE --- $\pm 0.25$		MOLEX INCORPORATED SHEET NO. DATE U.S.A. 1 OF 1 8/15/92	
DRAWING WHERE APPLICABLE MUST REMAIN WITHIN DIMENSIONS		PART NO. DRWG. NO. SEE TABLE SDA-71660-3	
DRWG. BY: RAN	CHK'D. BY: CAB	FILE NAME: 571660X3	THIS DRAWING CONTAINS INFORMATION THAT IS PROPRIETARY TO MOLEX INC. AND SHOULD NOT BE USED WITHOUT WRITTEN PERMISSION
APP'D. BY: CAB	SCALE: 4: 1	SIZE: C	SIZE: C