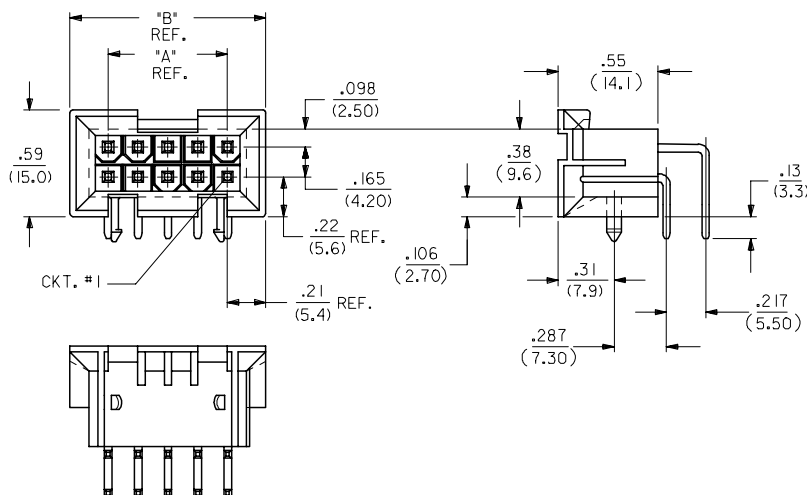
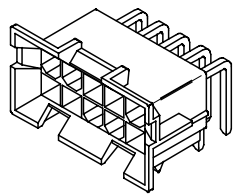


CIRCUIT SIZE	DIM. 'A'	DIM. 'B'
6	.331 (8.40)	.76 (19.2)
8	.496 (12.60)	.92 (23.4)
10	.661 (16.80)	1.09 (27.6)
12	.827 (21.00)	1.25 (31.8)
14	.992 (25.20)	1.42 (36.0)
16	1.157 (29.40)	1.58 (40.2)
18	1.323 (33.60)	1.75 (44.4)
20	1.488 (37.80)	1.91 (48.6)
22	1.654 (42.00)	2.08 (52.8)
24	1.819 (46.20)	2.24 (57.0)

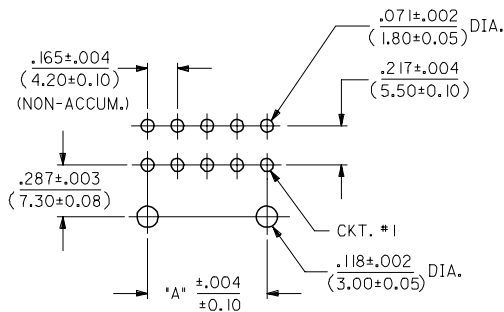


NOTES:

- HOUSING MATERIAL: "A" = NYLON 6/6, U.L. 94V-2, COLOR: NATURAL.
"B" = NYLON 6/6, U.L. 94V-0, COLOR: NATURAL.
- TERMINAL MATERIAL: BRASS, ALLOY 260.
- 4-24 CKT. PARTS MATE WITH MINI-FIT JR. RECEPTACLES #5557, #42385 AND #42474. 2 CKT. PART MATES WITH #42385 AND #42474 ONLY.
- PART ALLOWS FOR UP TO .100/(2.54) MISALIGNMENT WITH MATING RECEPTACLE IN ANY DIRECTION. SEE MATING CONNECTOR DRAWINGS FOR SPECIFIC ALLOWANCES.
- TERMINAL PLATING:
 - .000100/(.00254) MIN. BRIGHT TIN OVER .000050/(.00127) MIN. NICKEL OVERALL.
 - .000030/(.00076) MIN. GOLD OVER .000050/(.00127) MIN. NICKEL OVERALL.
 - .000100/(.00254) MIN. MATTE TIN OVER .000050/(.00127) MIN. NICKEL OVERALL.
 - .000050/(.00127) MIN. GOLD OVER .000050/(.00127) MIN. NICKEL OVERALL.
 - .000030/(.00076) MIN. GOLD AND .000100/(.00254) MIN. MATTE TIN OVER .000050/(.00127) MIN. NICKEL OVERALL.
- *THE PRIMARY SHIPPING CARTON WILL BE LABELED "COMPLIANT TO RoHS DIRECTIVE 2002/95/EC AND ELV ANNEX II OF DIRECTIVE 2000/53/EC." CARTONS WITHOUT THIS LABEL MAY CONTAIN PRODUCT WITH TIN-LEAD PLATING.
- PRODUCT SPECIFICATION AND PROCESSING PARAMETERS: SEE PS-5556-002
- CONNECTOR ASSEMBLIES ARE NOT TO BE MATED OR UNMATED WHILE CIRCUITS ARE LIVE.
- A MAXIMUM TOLERANCE OF .050/(1.27) ALLOWS FOR 2 POINTS OF ELECTRICAL CONTACT. A MAXIMUM TOLERANCE OF .020/(.51) ALLOWS FOR 4 POINTS OF CONTACT.
- DISCOLORATION IN THE BANDOLIER CARRIER AREA OF THE PIN IS INHERENT TO THE PLATING PROCESS AND IS DUE TO THE MASKING EFFECT OF THE CARRIER. THIS DISCOLORATION IS IN A NON-FUNCTIONAL AREA OF THE PIN AND WILL NOT AFFECT THE PERFORMANCE OF THE HEADER ASSEMBLY..
- PART IS NOT DESIGNED FOR CURRENT SHARING.



A-42404-****



RECOMMENDED HOLE LAYOUT FOR .070/(1.78) MAX. THICK P.C. BOARD VIEWED FROM COMPONENT SIDE

LEGEND:

- A-42404-****
- BASE NUMBER: _____
- CKT. SIZE: _____
(02-24)
- HOUSING MAT'L: _____
(SEE NOTE 1)
- TERMINAL PLATING: _____
(SEE NOTE 5)

Part	Part	Part	Part	Part	Part
---B2, _**B4	42474-**2I, 5556-PBGS*P	94V-0	PHOS. BRZ.	GOLD	
---A2, _**A4	42474-**1I, 5556-PBGS*P	94V-2			
---B1, _**B3	42474-**2I, 5556-PBS*P	94V-0			
---A1, _**A3	42474-**1I, 5556-PBS*P	94V-2	BRASS	GOLD	
---B2, _**B4	42474-**2I, 5556-GS*P	94V-0			
---A2, _**A4	42474-**1I, 5556-GS*P	94V-2			
---B1, _**B3	42474-**2I, 5556-S*P	94V-0	PHOS. BRZ.	TIN	
---A1, _**A3	42474-**1I, 5556-S*P	94V-2			
---B2, _**B4	A-42385-**D2	94V-0			
---A2, _**A4	A-42385-**C2	94V-2	BRASS	GOLD	
---B1, _**B3	A-42385-**D1	94V-0			
---A1, _**A3	A-42385-**C1	94V-2			
---B2, _**B4	A-42385-**B2	94V-0	BRASS	TIN	
---A2, _**A4	A-42385-**A2	94V-2			
---B1, _**B3	A-42385-**B1	94V-0			
---A1, _**A3	A-42385-**A1	94V-2			

R.A. HEADER	MATING CONNECTOR	HSG. MAT'L.	TERM. MAT'L.	PLATING
A-42404				

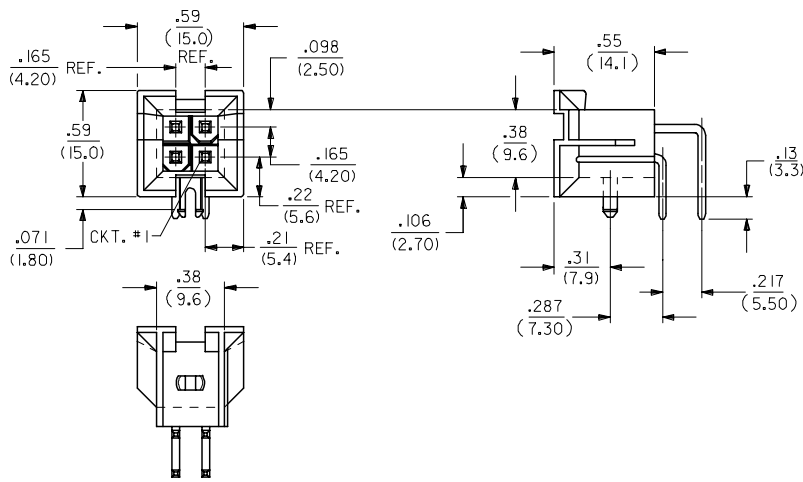
FC NO: UCF2006-1780 DRAWN: ADRAINOL 2006/02/03 CHECKED: APOLLGAR 2006/02/03 APPR: ICOMERC 2006/02/06 REV:	QUALITY SYMBOLS 	GENERAL TOLERANCES (UNLESS SPECIFIED) <table border="1"> <thead> <tr> <th></th> <th>mm</th> <th>INCH</th> </tr> </thead> <tbody> <tr> <td>4 PLACES ± ---</td> <td>± ---</td> <td>± ---</td> </tr> <tr> <td>3 PLACES ± ---</td> <td>± .010</td> <td>± .015</td> </tr> <tr> <td>2 PLACES ± 0.25</td> <td>± .015</td> <td>± .020</td> </tr> <tr> <td>1 PLACE ± 0.38</td> <td>± .020</td> <td>± .030</td> </tr> </tbody> </table>		mm	INCH	4 PLACES ± ---	± ---	± ---	3 PLACES ± ---	± .010	± .015	2 PLACES ± 0.25	± .015	± .020	1 PLACE ± 0.38	± .020	± .030	DIMENSION STYLE IN/MM	SCALE 2:1	DESIGN UNITS METRIC	THIRD ANGLE PROJECTION
				mm	INCH																
4 PLACES ± ---	± ---	± ---																			
3 PLACES ± ---	± .010	± .015																			
2 PLACES ± 0.25	± .015	± .020																			
1 PLACE ± 0.38	± .020	± .030																			
DRAFT WHERE APPLICABLE MUST REMAIN WITHIN DIMENSIONS	THIS DRAWING CONTAINS INFORMATION THAT IS PROPRIETARY TO MOLEX INCORPORATED AND SHOULD NOT BE USED WITHOUT WRITTEN PERMISSION																				

MINI-FIT JR. 2-24 CKT
RIGHT ANGLE HEADER ASSY
(BLIND MATE)

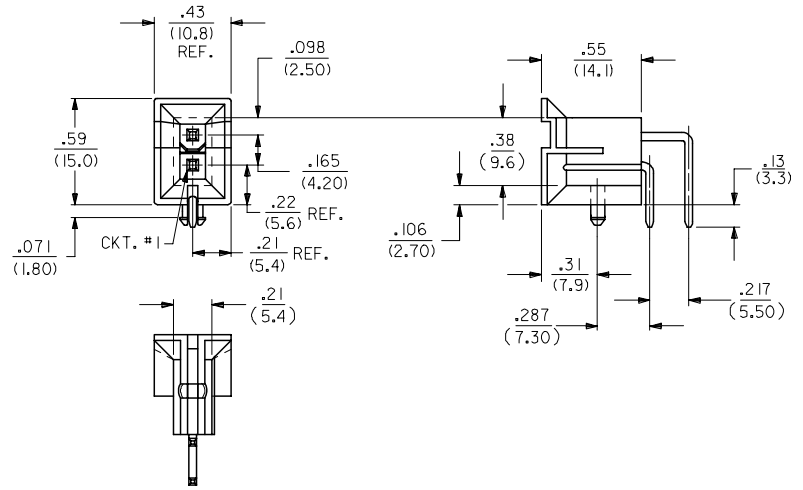
molex MOLEX INCORPORATED

SDA-42404-****

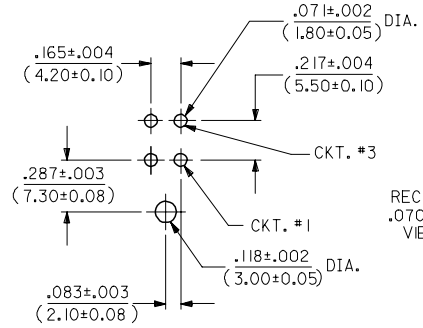
SHEET NO. 1 OF



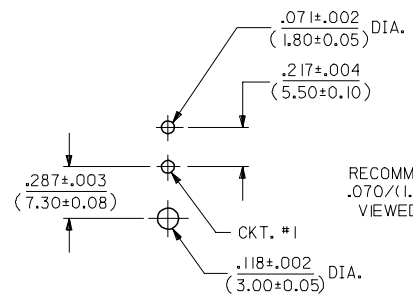
A-42404-04**



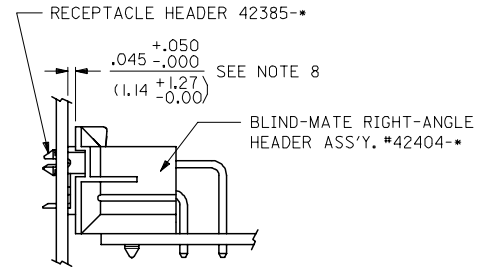
A-42404-02**



RECOMMENDED HOLE LAYOUT FOR
.070/(1.78) MAX. THICK P.C. BOARD
VIEWED FROM COMPONENT SIDE



RECOMMENDED HOLE LAYOUT FOR
.070/(1.78) MAX. THICK P.C. BOARD
VIEWED FROM COMPONENT SIDE



PANEL-TO-P.C.BOARD

SEE SHEET 1 REV. 1	FC NO: UCP2006-1780	2006/02/03	DESCRIPTION
	DRW:ADRAINOL	2006/02/03	
	CHKD:GPOLGAR	2006/02/03	
	APPR:ICOMERC	2006/02/06	

QUALITY SYMBOLS	
	=0
	=0

GENERAL TOLERANCES (UNLESS SPECIFIED)	
	mm
	INCH
4 PLACES	± .01
3 PLACES	± .015
2 PLACES	± .025
1 PLACE	± .038
ANGULAR ±1/2°	

DIMENSION STYLE	
	IN/MM
DRAWN BY	DATE
RWK	1989/02/07
CHECKED BY	DATE
RJF	1989/02/07
APPROVED BY	DATE
RAS	1989/02/07
MATERIAL NO.	
DOCUMENT NO.	

SCALE	2:1
DESIGN UNITS	METRIC
THIRD ANGLE PROJECTION	
MINI-FIT JR. 2-24 CKT RIGHT ANGLE HEADER ASSY (BLIND MATE)	
MOLEX MOLEX INCORPORATED	
SEE SHTS 3&4	SDA-42404-****
SHEET NO.	2 OF 4

DRAFT WHERE APPLICABLE
MUST REMAIN
WITHIN DIMENSIONS

THIS DRAWING CONTAINS INFORMATION THAT IS PROPRIETARY TO MOLEX
INCORPORATED AND SHOULD NOT BE USED WITHOUT WRITTEN PERMISSION

J	I	H	G	F	E	D	C	B	A
PLATING (NOTE 5)	HOUSING MATERIAL	CKT. SIZE	ENG. NUMBER	PART NUMBER	HOUSING MATERIAL	CKT. SIZE	ENG. NUMBER	PART NUMBER	PLATING (NOTE 5)
TIN-LEAD/NICKEL	94V-2	2	A-42404-02A3	NOT TOOLED	94V-2	2	A-42404-02A1	NOT TOOLED	TIN OVER NICKEL
		4	-04A3	15-24-6040		4	-04A1	15-24-6040	
		6	-06A3	15-24-6060		6	-06A1	15-24-6060	
		8	-08A3	NOT TOOLED		8	-08A1	NOT TOOLED	
		10	-10A3	15-24-6100		10	-10A1	15-24-6100	
		12	-12A3	NOT TOOLED		12	-12A1	NOT TOOLED	
		14	-14A3	15-24-6140		14	-14A1	15-24-6140	
		16	-16A3	NOT TOOLED		16	-16A1	NOT TOOLED	
		18	-18A3	15-24-6180		18	-18A1	15-24-6180	
		20	-20A3	NOT TOOLED		20	-20A1	NOT TOOLED	
		22	-22A3	NOT TOOLED		22	-22A1	NOT TOOLED	
TIN-LEAD/NICKEL	94V-2	24	A-42404-24A3	15-24-6240	94V-2	24	A-42404-24A1	15-24-6240	TIN OVER NICKEL
		2	-	NOT TOOLED		2	-	NOT TOOLED	30 M.I. GOLD
		4	-	15-24-9043		4	-04A2	15-24-9043	
		6	-	15-24-9063		6	-06A2	15-24-9063	
		8	-	NOT TOOLED		8	-08A2	NOT TOOLED	
		10	-	15-24-9103		10	-10A2	15-24-9103	
		12	-	NOT TOOLED		12	-12A2	NOT TOOLED	
		14	-	15-24-9143		14	-14A2	15-24-9143	
		16	-	NOT TOOLED		16	-16A2	NOT TOOLED	
		18	-	15-24-9183		18	-18A2	15-24-9183	
		20	-	NOT TOOLED		20	-20A2	NOT TOOLED	
		22	-	NOT TOOLED		22	-22A2	NOT TOOLED	
		24	-	15-24-9243	94V-2	24	A-42404-24A2	15-24-9243	30 M.I. GOLD
		2	-	NOT TOOLED		2	-	NOT TOOLED	TIN OVER NICKEL
		4	-	15-24-9044		4	-04B1	15-24-9044	
		6	-	15-24-9064		6	-06B1	15-24-9064	
		8	-	NOT TOOLED		8	-08B1	NOT TOOLED	
		10	-	15-24-9104		10	-10B1	15-24-9104	
		12	-	NOT TOOLED		12	-12B1	NOT TOOLED	
		14	-	15-24-9144		14	-14B1	15-24-9144	
		16	-	15-24-9164		16	-16B1	15-24-9164	
		18	-	15-24-9184		18	-18B1	15-24-9184	
		20	-	NOT TOOLED		20	-20B1	NOT TOOLED	
		22	-	NOT TOOLED		22	-22B1	NOT TOOLED	
		24	-	15-24-9244	94V-0	24	A-42404-24B1	15-24-9244	TIN OVER NICKEL
		2	-	NOT TOOLED		2	-	NOT TOOLED	30 M.I. GOLD
		4	-	15-24-9045		4	-04B2	15-24-9045	
		6	-	15-24-9065		6	-06B2	15-24-9065	
		8	-	NOT TOOLED		8	-08B2	NOT TOOLED	
		10	-	15-24-9105		10	-10B2	15-24-9105	
		12	-	NOT TOOLED		12	-12B2	NOT TOOLED	
		14	-	15-24-9145		14	-14B2	15-24-9145	
		16	-	15-24-9165		16	-16B2	15-24-9165	
		18	-	15-24-9185		18	-18B2	15-24-9185	
		20	-	NOT TOOLED		20	-20B2	NOT TOOLED	
		22	-	NOT TOOLED		22	-22B2	NOT TOOLED	
		24	-	15-24-9245	94V-0	24	A-42404-24B2	15-24-9245	30 M.I. GOLD

SEE SHEET 1
 FC NO: UCP2006-1780
 DRAWN: ADRA1NOL 2006/02/03
 CHKD: GPOLGAR 2006/02/03
 APPR: ICOMERCI 2006/02/06

QUALITY SYMBOLS

 GENERAL TOLERANCES (UNLESS SPECIFIED)
 4 PLACES ± --- INCH
 3 PLACES ± --- INCH
 2 PLACES ± --- INCH
 1 PLACE ± --- INCH
 ANGULAR ±1/2°

DIMENSION STYLE
 IN/MM
 DRAWN BY: RWK DATE: 1989/02/08
 CHECKED BY: RJF DATE: 1989/02/08
 APPROVED BY: RAS DATE: 1989/02/08
 MATERIAL NO.

SCALE: ---
 DESIGN UNITS: METRIC
 THIRD ANGLE PROJECTION
 MINI-FIT JR. 2-24 CKT
 RIGHT ANGLE HEADER ASSY
 (BLIND MATE)
 moxle MOLEX INCORPORATED
 MATERIAL NO. SDA-42404-****
 SHEET NO. 3 OF 4