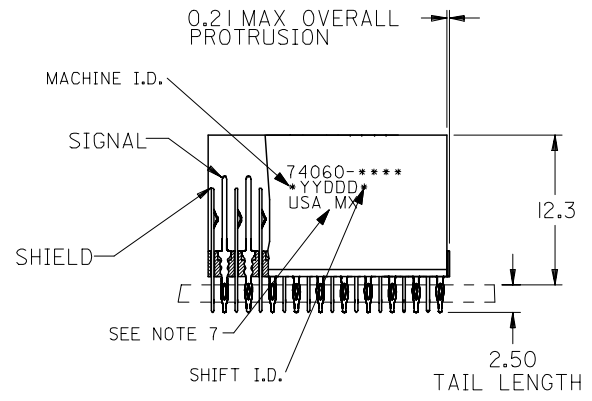
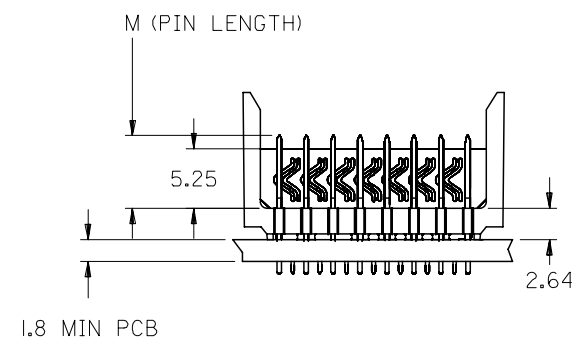


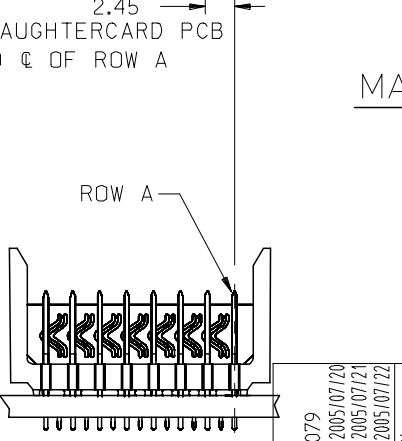
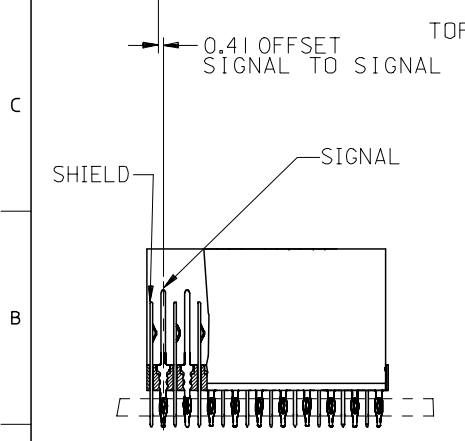
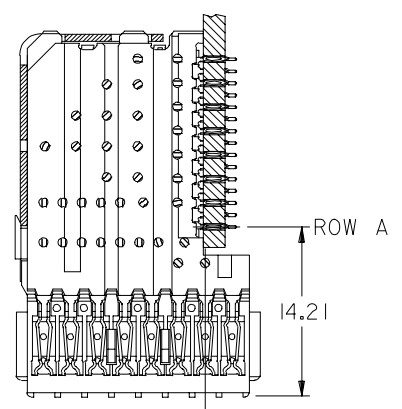
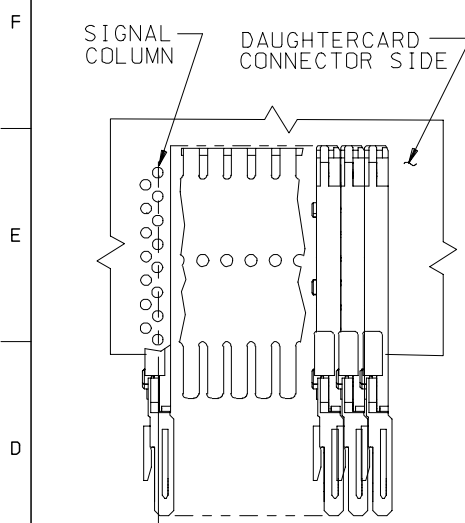
**BACKPLANE HOLE PATTERN
RECOMMENDED DIMENSION**



- NOTES:
- MATERIALS:
HOUSING - LIQUID CRYSTAL POLYMER (LCP),
GLASS-FILLED, UL 94V-0, COLOR: BLACK
SIGNAL PIN & SHIELD - COPPER ALLOY
 - FINISHES:
CONTACT AREA: SELECTIVE GOLD (Au)
PCB TAILS: SELECTIVE TIN/LEAD (Sn/Pb)
OR SELECTIVE MATTE TIN (Sn)
NICKEL (Ni) OVERALL.
 - THIS PART CONFORMS TO MOLEX PRODUCT SPECIFICATION PS-74031-999
 - FOR MIXED CONTACT LENGTHS CONSULT MOLEX FOR AVAILABILITY
 - FOR SPECIFIC MATERIAL NUMBERS & MATING INFORMATION REFER TO SHEET 2
 - PACKAGE PER PK-74060-003
 - EITHER MARK PART WITH PART NUMBER & DATE CODE APPROXIMATELY WHERE SHOWN OR PLACE LABEL ON THE TUBE.

ADD LEADFREE PNs EC NO: UCP2006-0079 DRW: KMK/MLVEY 2005/07/20 CHKD: 2005/07/21 APPR: SREED 2005/07/22	DESCRIPTION REV J	QUALITY SYMBOLS $\nabla=0$ $\nabla=0$	GENERAL TOLERANCES (UNLESS SPECIFIED)		DIMENSION STYLE MM ONLY	SCALE 2.5:1	DESIGN UNITS METRIC	THIRD ANGLE PROJECTION	
						DRAWN BY MWANG	DATE 1998/11/09	VHDM 8 ROW OPEN END BACKPLANE SALES ASSEMBLY MOLEX INCORPORATED	
						CHECKED BY JLAURX	DATE 1998/11/09		
						APPROVED BY CBIXLER	DATE 1998/11/09		
				MATERIAL NO. SEE SHEET 2	DOCUMENT NO. SD-74060-002				
DRAFT WHERE APPLICABLE MUST REMAIN WITHIN DIMENSIONS			ANGULAR $\pm 1/2^\circ$		SIZE B	THIS DRAWING CONTAINS INFORMATION THAT IS PROPRIETARY TO MOLEX INCORPORATED AND SHOULD NOT BE USED WITHOUT WRITTEN PERMISSION			

10 9 8 7 6 5 4 3 2 1



PART NUMBER	COLUMN	NUMBER OF SIGNAL PIN	NUMBER OF SHIELD	A	B	M	Au (um) THICKNESS	Sn (um) THICKNESS
74060-*001	10	80	10	20.00	18.00	4.75	0.76	0.76-1.52
74060-*006							1.27	
74060-*501	25	200	25	50.00	48.00	6.25	0.76	
74060-*506							1.27	
74060-*002	10	80	10	20.00	18.00	4.25	0.76	
74060-*007							1.27	
74060-*502	25	200	25	50.00	48.00	5.15	0.76	
74060-*507							1.27	
74060-*003	10	80	10	20.00	18.00	4.25	0.76	
74060-*008							1.27	
74060-*503	25	200	25	50.00	48.00	5.15	0.76	
74060-*508							1.27	
74060-*004	10	80	10	20.00	18.00	4.25	0.76	
74060-*009							1.27	
74060-*504	25	200	25	50.00	48.00	5.15	0.76	
74060-*509							1.27	

MATERIAL NUMBER ASSIGNMENT

74060-** **
 SEE TABLE
 NUMBER OF COLUMNS/PLATING
 10 = 10 COLUMN TIN/LEAD
 25 = 25 COLUMN TIN/LEAD
 90 = 10 COLUMN MATTE TIN
 85 = 25 COLUMN MATTE TIN

A

B

C

D

E

F

SEE SHEET 1	DESCRIPTION
EC NO: UCP2006-0079	2005/07/20
DRWN: KMULVEY	2005/07/21
CHKD:	2005/07/21
APPR: SREED	2005/07/22
REV	

QUALITY SYMBOLS	GENERAL TOLERANCES (UNLESS SPECIFIED)
▽=0	mm INCH
▽=0	4 PLACES ± --- ± ---
	3 PLACES ± --- ± ---
	2 PLACES ± --- ± ---
	1 PLACE ± --- ± ---
	ANGULAR ±1/2°

DRAFT WHERE APPLICABLE MUST REMAIN WITHIN DIMENSIONS	SIZE B
--	--------

DRAWN BY	DATE
MWANG	1998/11/09
CHECKED BY	DATE
JLAURX	1998/11/09
APPROVED BY	DATE
CBIXLER	1998/11/09
MATERIAL NO.	SEE CHART

DIMENSION STYLE	SCALE	DESIGN UNITS	THIRD ANGLE PROJECTION
MM ONLY	2.5:1	METRIC	
TITLE	VHDM 8 ROW OPEN END BACKPLANE SALES ASSEMBLY		
MATERIAL NO.	DOCUMENT NO.	SHEET NO.	
SEE CHART	SD-74060-002	2 OF 2	
MOLEX INCORPORATED			
THIS DRAWING CONTAINS INFORMATION THAT IS PROPRIETARY TO MOLEX INCORPORATED AND SHOULD NOT BE USED WITHOUT WRITTEN PERMISSION			