

10 9 8 7 6 5 4 3 2 1

D M C 5.55
 .00 P C VP. 4.20

.40 PCF

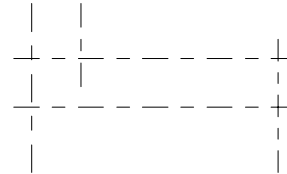
1. MATERIALS:
 OUS NG
 CPM NAL COPPER ALLOY
 2. FINISHES
 OP ONAL
 LOC NG PAMP (2)
 UL94V 0 BLAC

4.4

D M E .00
 D M D 0.60

AL
 0.60 SO. VP. POLAR ZL ON CV 4.20

3. PRODUCT SPEC PS 87568 004 APPL CS
 4. FOR LLUS PA ON PURPOSES, 2 C S S OWN
 5. PAPER MATERIALS WITH ALL MILL GRIP D LADERS WITH MATERIAL LENGTH
 BE WITHIN 2.50mm AND 4.20mm
 6. PAPER SPEC DESIGN FOR .00mm P C FLA CABLE, 7 S PANDS,
 AWG 28, UL265 AND UL2678
 7. ALL OPERATIONAL SPECIFICATIONS, CONDUCTANCE OPERATIONAL.
 8. STANDARD PRACTICES TO BE PURCHASED SEPARATELY,
 REFERENCE TO SD 87569 008



2.00

C 2

D M B

D M A

OBS TIN/LEAD P/N	EC NO: S2006-0732	2006/04/03
	DRWN:MLONG	2006/04/03
	CHKD:NAJESHKN	2006/04/04
	APPR:PTLIM	2006/04/06
REV	DESCRIPTION	

QUALITY SYMBOLS
 ▽=0
 ▽=0

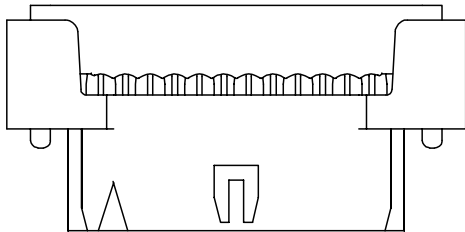
GENERAL TOLERANCES (UNLESS SPECIFIED)		
	mm	INCH
4 PLACES	± .005	± .0004
3 PLACES	± .005	± .0004
2 PLACES	± 0.15	± .005
1 PLACE	± .005	± .0004
ANGULAR ± 3 °		
DRAFT WHERE APPLICABLE MUST REMAIN WITHIN DIMENSIONS		

DIMENSION STYLE		SCALE	DESIGN UNITS	THIRD ANGLE PROJECTION
MM ONLY		NTS	METRIC	
DRAWN BY	DATE	TITLE		
AGARWAL	1997/08/05	MGRID 2MM DUAL ROW IDT RECEPTACLE		
CHECKED BY	DATE			
SQUEK	1997/09/03			
APPROVED BY	DATE	MOLEX INCORPORATED		
JAMES	1997/09/03	SD-87568-003		
MATERIAL NO.	DOCUMENT NO.	SHEET NO.		
SEE TABLE	SD-87568-003	1 OF 3		

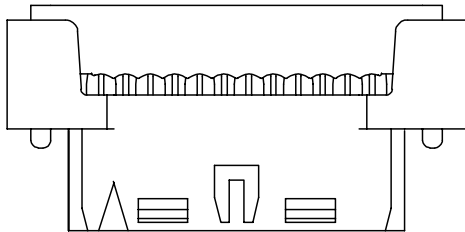
SIZE A3 THIS DRAWING CONTAINS INFORMATION THAT IS PROPRIETARY TO MOLEX INCORPORATED AND SHOULD NOT BE USED WITHOUT WRITTEN PERMISSION

9 8 7 6 5 4 3 2 1

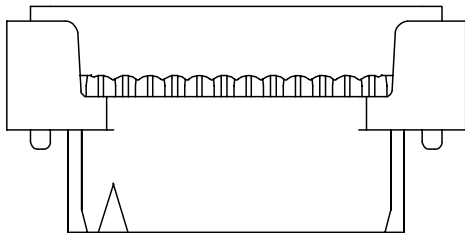
10 9 8 7 6 5 4 3 2 1



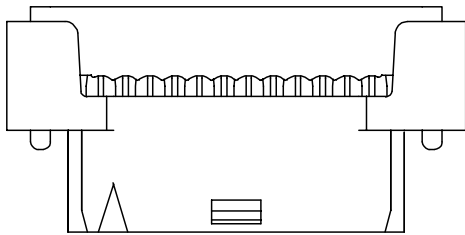
87568-***4*
POLARIZATION ONLY
(APPLICABLE FOR 14 TO 50 CKT)



87568-***9*
POLARIZATION AND RAMP LOCKING
(APPLICABLE FOR 14 TO 50 CKT)



87568-***6*
NO POLARIZATION/RAMP FEATURE
(APPLICABLE FOR 10 TO 50 CKT)



87568-***7*
SINGLE RAMP LOCKING ONLY
(APPLICABLE FOR 10 TO 12 CKT)

ENGINEERING NUMBER	CKT. SIZE	A	B	C	D	E
87568-10**	10	16.65	8.00	14.90	11.65	10.55
87568-12**	12	18.65	10.00	16.90	13.65	12.55
87568-14**	14	20.65	12.00	18.90	15.65	14.55
87568-16**	16	22.65	14.00	20.90	17.65	16.55
87568-20**	20	26.65	18.00	24.90	21.65	20.55
87568-22**	22	28.65	20.00	26.90	23.65	22.55
87568-24**	24	30.65	22.00	28.90	25.65	24.55
87568-26**	26	32.65	24.00	30.90	27.65	26.55
87568-30**	30	36.65	28.00	34.90	31.65	30.55
87568-34**	34	40.65	32.00	38.90	35.65	34.55
87568-36**	36	42.65	34.00	40.90	37.65	36.55
87568-40**	40	46.65	38.00	44.90	41.65	40.55
87568-44**	44	50.65	42.00	48.90	45.65	44.55
87568-50**	50	56.65	48.00	54.90	51.65	50.55

87568 - * * * *
CKT. SIZE

PLATING OPTION
(SEE NOTE 2)

POLARIZATION KEY
& LOCKING RAMP OPTION

- 4 - WITH POLARIZATION ONLY FOR 14 - 50 CKT
- 6 - WITHOUT POLARIZATION AND RAMP LOCKING
- 7 - WITH SINGLE RAMP LOCKING ONLY FOR 10 & 12 CKT
- 9 - WITH POLARIZATION AND RAMP LOCKING FOR 14 - 50 CKT

10-12 CIRCUIT SIZE HAS ONLY ONE RAMP
FOR LOCKING (OPTIONAL)

14-50 CIRCUIT SIZE HAS BOTH
POLARIZATION AND RAMP LOCKING (OPTIONAL)

OBS TIN/LEAD P/N EC NO: S2006-0732 DRWN:MLG CHKD:NGESHKN APPR:PTLIM	2006/04/03 2006/04/04 2006/04/06	DESCRIPTION REV	QUALITY SYMBOLS	GENERAL TOLERANCES (UNLESS SPECIFIED)		DIMENSION STYLE	SCALE	DESIGN UNITS	THIRD ANGLE PROJECTION			
			▽=0 ▽C=0	mm	INCH	MM ONLY	NTS	METRIC				
				4 PLACES ± --- ± ---	DRAWN BY	DATE	MGRID 2MM DUAL ROW IDT RECEPTACLE MOLEX INCORPORATED					
				3 PLACES ± --- ± ---	AGARWAL	1997/08/05						
	2 PLACES ± 0.15 ± ---	CHECKED BY	DATE	SD-87568-003								
	1 PLACE ± --- ± ---	SQUEK	1997/09/03									
	ANGULAR ± 3 °	APPROVED BY	DATE	SEE TABLE								
		JAMES	1997/09/03									
		MATERIAL NO.	DOCUMENT NO.	THIS DRAWING CONTAINS INFORMATION THAT IS PROPRIETARY TO MOLEX INCORPORATED AND SHOULD NOT BE USED WITHOUT WRITTEN PERMISSION								
		DRAFT WHERE APPLICABLE MUST REMAIN WITHIN DIMENSIONS	SIZE									
			A3	SHEET NO. 2 OF 3								

9 8 7 6 5 4 3 2 1

10 9 8 7 6 5 4 3 2 1

F

E

D

C

B

A

F

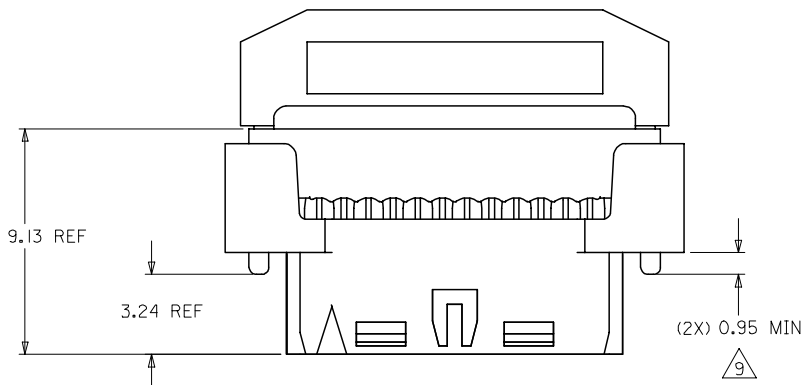
E

D

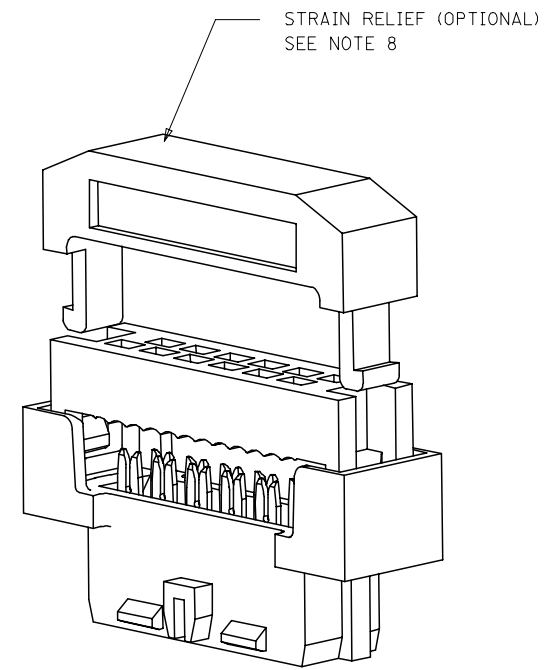
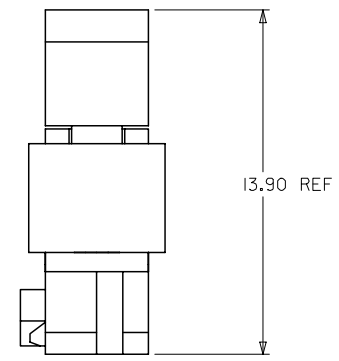
C

B

A



CABLE LOADED ASSEMBLY WITH STRAIN RELIEF



3D VIEW
(12 CKT SHOWN FOR ILLUSTRATION ONLY)

NOTES

9 THIS DIMENSION IS TO ENSURE GOOD CABLE TERMINATION.

OBS TIN/LEAD P/N EC NO: S2006-0732 DRWN:MLONG 2006/04/03 CHKD:NAGESHKN 2006/04/04 APPR:PTLIM 2006/04/06	DESCRIPTION REV	QUALITY SYMBOLS	GENERAL TOLERANCES (UNLESS SPECIFIED)		DIMENSION STYLE MM ONLY		SCALE NTS	DESIGN UNITS METRIC	THIRD ANGLE PROJECTION		
		▼=0 ▽=0	mm INCH	DRAWN BY AGARWAL	DATE 1997/08/05	TITLE MGRID 2MM DUAL ROW IDT RECEPTACLE MOLEX INCORPORATED					
		4 PLACES ± --- ± --- 3 PLACES ± --- ± --- 2 PLACES ± 0.15 ± --- 1 PLACE ± --- ± ---	ANGULAR ± 3 °	CHECKED BY SQUEK	DATE 1997/09/03						
				APPROVED BY JAMES	DATE 1997/09/03	MATERIAL NO.	DOCUMENT NO. SD-87568-003	SHEET NO. 3 OF			
		DRAFT WHERE APPLICABLE MUST REMAIN WITHIN DIMENSIONS		THIS DRAWING CONTAINS INFORMATION THAT IS PROPRIETARY TO MOLEX INCORPORATED AND SHOULD NOT BE USED WITHOUT WRITTEN PERMISSION							

9 8 7 6 5 4 3 2 1