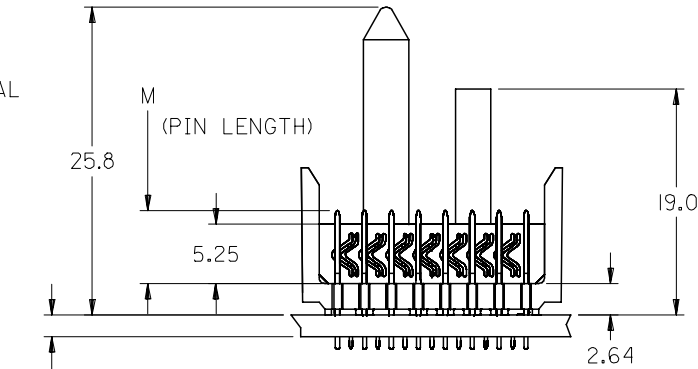
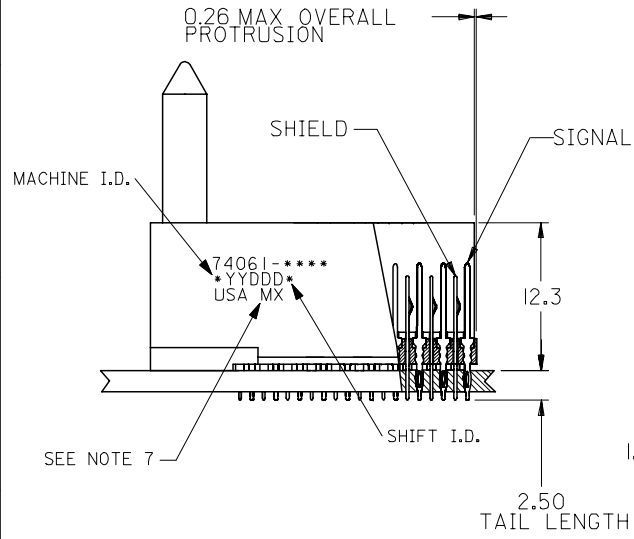
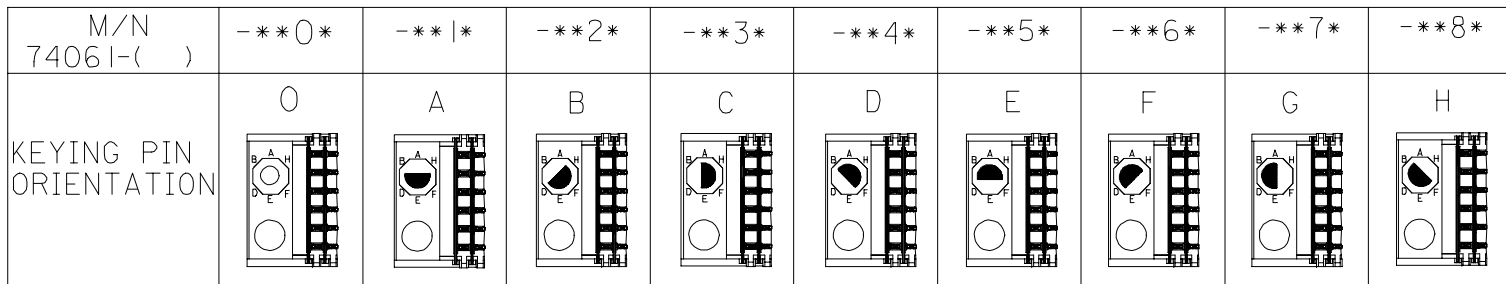


BACKPLANE HOLE PATTERN
RECOMMENDED DIMENSION

- NOTES:
- MATERIALS:
HOUSING - LIQUID CRYSTAL POLYMER (LCP),
GLASS-FILLED, UL 94V-0, COLOR: BLACK
SIGNAL PIN & SHIELD - COPPER ALLOY
 - FINISHES:
CONTACT AREA: SELECTIVE GOLD (Au)
PCB TAILS: SELECTIVE TIN/LEAD (Sn/Pb)
OR SELECTIVE MATTE TIN (Sn)
NICKEL (Ni) OVERALL.
 - THIS PART CONFORMS TO MOLEX PRODUCT SPECIFICATION PS-74031-999
 - FOR MIXED CONTACT LENGTHS CONSULT MOLEX FOR AVAILABILITY
 - FOR SPECIFIC MATERIAL NUMBERS & MATING INFORMATION REFER TO SHEET 2
 - PACKAGE PER PK-74061-003
 - EITHER MARK PART WITH PART NUMBER & DATE CODE APPROXIMATELY WHERE SHOWN OR PLACE LABEL ON THE TUBE.



CORRECTED DIMS EC NO: UCP2008-0329 DRW: JONIAK 2007/08/28 CHKD: JONIAK 2007/08/28 APPR: CIBIXLER 2007/08/28	DESCRIPTION REV N	QUALITY SYMBOLS ▽=0 ▽=0	GENERAL TOLERANCES (UNLESS SPECIFIED) mm INCH	DIMENSION STYLE MM ONLY	SCALE 2.5:1	DESIGN UNITS METRIC	THIRD ANGLE PROJECTION
		4 PLACES ± --- ± --- 3 PLACES ± --- ± --- 2 PLACES ± --- ± --- 1 PLACE ± --- ± ---	DRAWN BY DATE MWANG 1998/11/09	TITLE VHDM 8 ROW SIGNAL END BACKPLANE SALES ASSEMBLY			
		ANGULAR ±1/2°	CHECKED BY DATE JLAURX 1998/11/09	MOLEX MOLEX INCORPORATED			
		DRAFT WHERE APPLICABLE MUST REMAIN WITHIN DIMENSIONS	APPROVED BY DATE CIBIXER 1998/11/09	MATERIAL NO. SEE SHEET 2	DOCUMENT NO. SD-74061-002	SHEET NO. 1 OF 3	

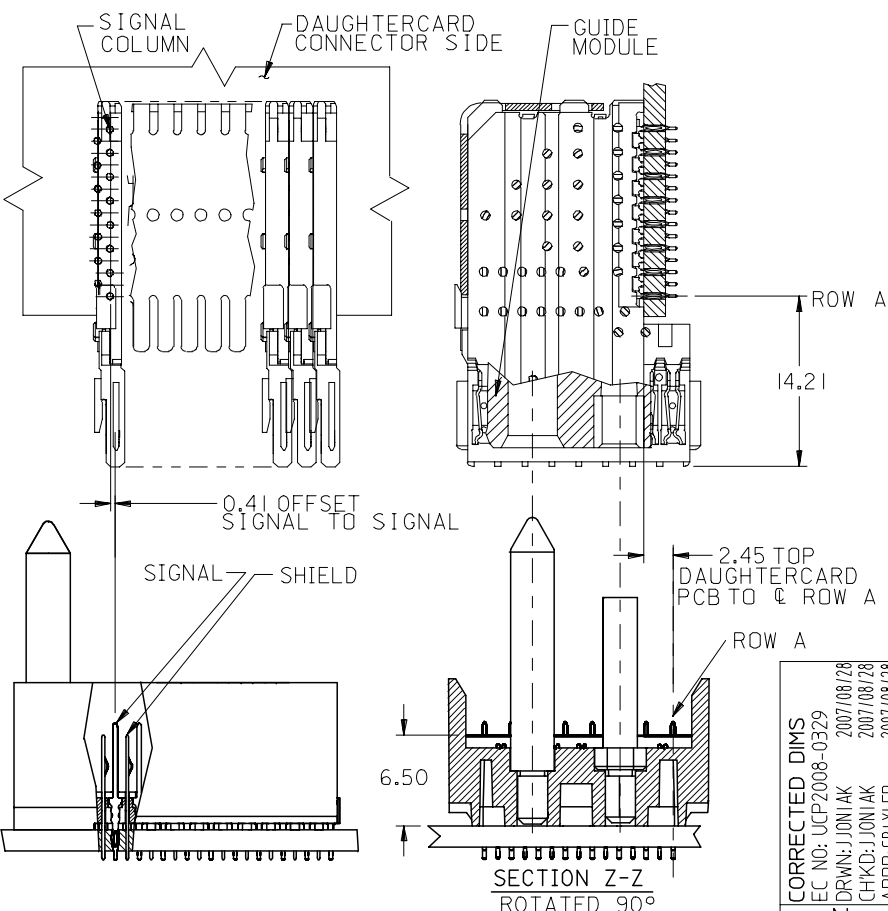


74061 - * * * *

NUMBER OF COLUMNS/PLATING
 10 = 10 COLUMN TIN/LEAD
 12 = 12 COLUMN TIN/LEAD*
 25 = 25 COLUMN TIN/LEAD
 90 = 10 COLUMN MATTE TIN
 92 = 12 COLUMN MATTE TIN*
 85 = 25 COLUMN MATTE TIN

CONTACT LOAD (PIN LENGTH)
 1 & 6 = 4.75
 2 & 7 = 6.25
 3 & 8 = 4.25
 4 & 9 = 5.15

*12 COLUMN P/N'S ON SHEET 3



PART NUMBER	COLUMN	NUMBER OF SIGNAL PIN	NUMBER OF SHIELD	A	B	M	Au (um) THICKNESS	Sn (um) THICKNESS
74061-0*1	10	80	10	27.00	18.00	4.75	0.76	0.76-1.52
74061-0*6							1.27	
74061-5*1	25	200	25	57.00	48.00	6.25	0.76	
74061-5*6							1.27	
74061-0*2	10	80	10	27.00	18.00	6.25	0.76	
74061-0*7							1.27	
74061-5*2	25	200	25	57.00	48.00	6.25	0.76	
74061-5*7							1.27	
74061-0*3	10	80	10	27.00	18.00	4.25	0.76	
74061-0*8							1.27	
74061-5*3	25	200	25	57.00	48.00	4.25	0.76	
74061-5*8							1.27	
74061-0*4	10	80	10	27.00	18.00	5.15	0.76	
74061-0*9							1.27	
74061-5*4	25	200	25	57.00	48.00	5.15	0.76	
74061-5*9							1.27	

CORRECTED DIMS EC NO: UCP2008-0329 DRW: JONIAK 2007/08/28 CHKD: JONIAK 2007/08/28 APPR: CBIXLER 2007/08/28	QUALITY SYMBOLS	GENERAL TOLERANCES (UNLESS SPECIFIED)	DIMENSION STYLE MM ONLY	SCALE 2.5:1	DESIGN UNITS METRIC	THIRD ANGLE PROJECTION
	DESCRIPTION	mm INCH	DRAWN BY DATE MWANG 1998/11/09	TITLE VHDM 8 ROW SIGNAL END BACKPLANE SALES ASSEMBLY	MOLEX INCORPORATED	
REV	ANGULAR ±1/2°	4 PLACES ± --- ± --- 3 PLACES ± --- ± --- 2 PLACES ± --- ± --- 1 PLACE ± --- ± ---	CHECKED BY DATE JLAURX 1998/11/09	DOCUMENT NO. SD-74061-002		SHEET NO. 2 OF 3
	DRAFT WHERE APPLICABLE MUST REMAIN WITHIN DIMENSIONS	MATERIAL NO. SEE CHART	APPROVED BY DATE CBIXLER 1998/11/09	THIS DRAWING CONTAINS INFORMATION THAT IS PROPRIETARY TO MOLEX INCORPORATED AND SHOULD NOT BE USED WITHOUT WRITTEN PERMISSION		