

10 9 8 7 6 5 4 3 2 1

F

E

D

C

B

A

F

E

D

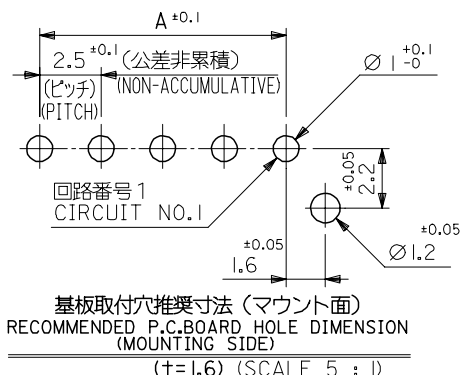
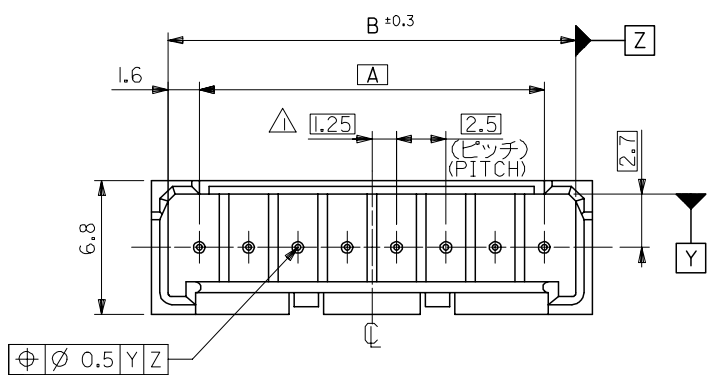
C

B

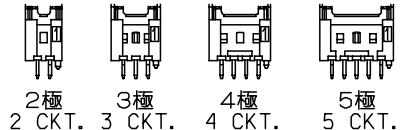
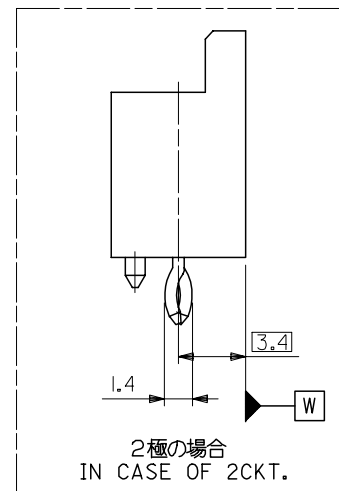
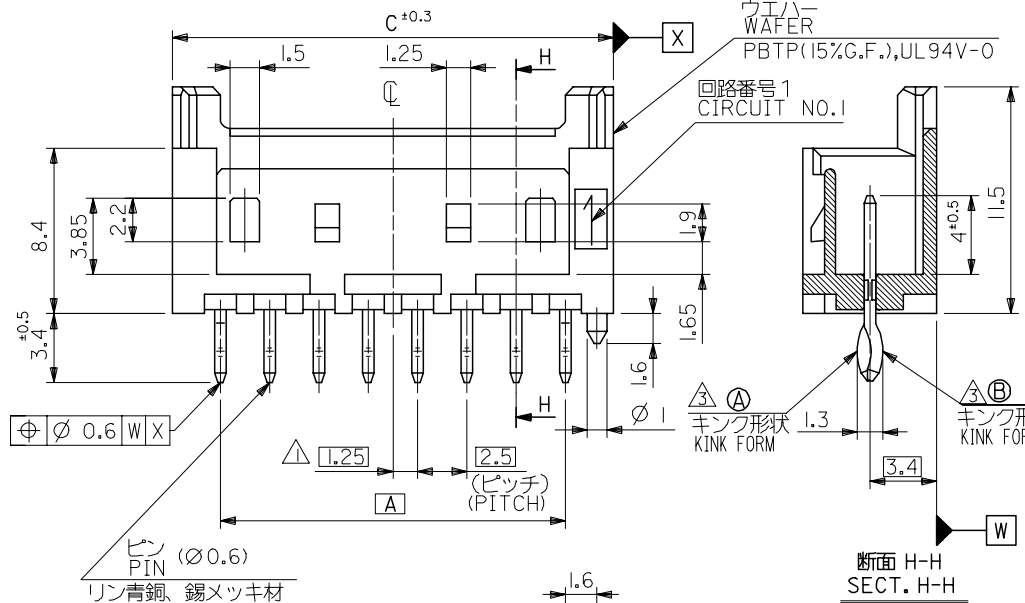
A

注記  
NOTES

- △ 偶数極品に適用。  
APPLIES ONLY TO EVEN NO. CKT. SIZES.
- 2. 嵌合相手: 51103 シリーズ  
MATES WITH: 51103 SERIES.
- △ 3極以上のキンク形状は両サイドが(A)、その他の極はすべて(B)形状とする。  
KINK FORM MORE THAN 2 CIRCUIT: PINS AT BOTH ENDS ARE KINK FORMED TO (A), THE OTHER PINS ARE KINK FORMED TO (B).
- 4. 製品番号の下1桁は色を表します。  
LAST DIGIT OF PART NUMBER INDICATES COLOR.  
0: 白 WHITE    1: 黒 BLACK    2: 赤 RED  
3: 黄 YELLOW    4: 青 BLUE

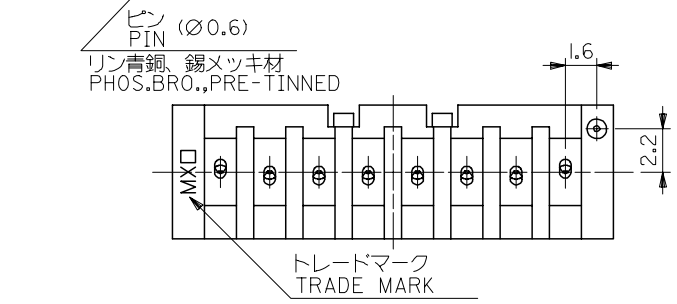


基板取付穴推奨寸法 (マウント面)  
RECOMMENDED P.C. BOARD HOLE DIMENSION (MOUNTING SIDE)  
( $t=1.6$ ) (SCALE 5:1)



ロック形状図  
LOCK CONFIGURATION

39.9	38.2	35	53375-151*	15
37.4	35.7	32.5	-141*	14
34.9	33.2	30	-131*	13
32.4	30.7	27.5	-121*	12
29.9	28.2	25	-111*	11
27.4	25.7	22.5	-101*	10
24.9	23.2	20	-091*	9
22.4	20.7	17.5	-081*	8
19.9	18.2	15	-071*	7
17.4	15.7	12.5	-061*	6
14.9	13.2	10	-051*	5
12.4	10.7	7.5	-041*	4
9.9	8.2	5	-031*	3
7.4	5.7	2.5	53375-021*	2
C	B	A	MATERIAL NO.	極数
			MODEL NO. 53375-xx1*	NO. OF CKTS.



REVISED EC NO: J2005-2009 DRAWN: MIMEDA CHKD: KTOYODA APP: NUKITA 2005/02/02 2005/02/04 2005/02/14	GENERAL TOLERANCES (UNLESS SPECIFIED)		DIMENSION STYLE MM ONLY		SCALE 4:1 DESIGN UNITS METRIC THIRD ANGLE PROJECTION
	10 UNDER	±0.2	DRAWN BY K. TOJO	DATE 1992/05/06	
	10 OVER 30 UNDER	±0.25	CHECKED BY H. HIRAMOTO	DATE 1994/03/08	TITLE 2.5 W/B CONN WAFER ASSY WITH KINK -LEAD FREE- MOLEX MOLEX INCORPORATED
	30 OVER	±0.3	APPROVED BY M. FUKUSUMA	DATE 1994/03/08	
	ANGULAR ±3 °	DRAFT WHERE APPLICABLE MUST REMAIN WITHIN DIMENSIONS		MATERIAL NO. SEE CHART	DOCUMENT NO. SD-53375-001
		SIZE A3		THIS DRAWING CONTAINS INFORMATION THAT IS PROPRIETARY TO MOLEX INCORPORATED AND SHOULD NOT BE USED WITHOUT WRITTEN PERMISSION	