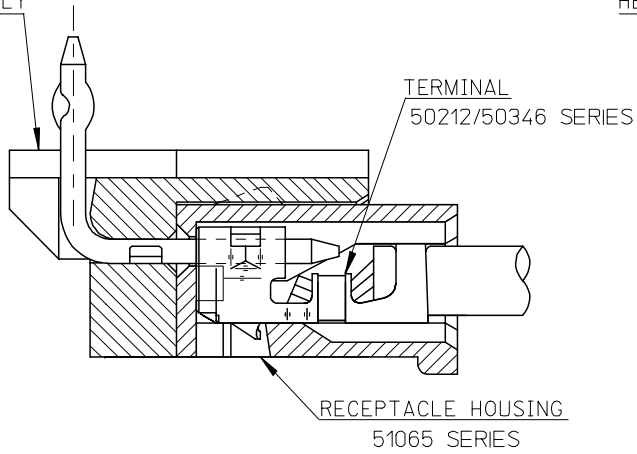


10 9 8 7 6 5 4 3 2 1

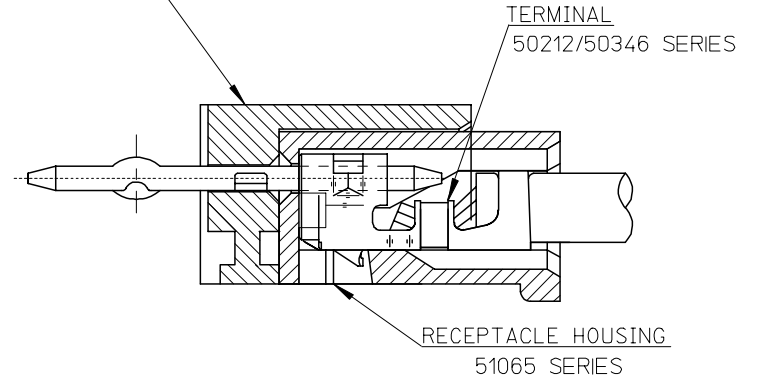
F

HEADER HOUSING ASSEMBLY
53254SERIES



51065シリーズ/53254シリーズ 嵌合状態図 参考
51065 SERIES/53254 SERIES MATED DRAWING (REF.)

HEADER HOUSING ASSEMBLY
53253SERIES



51065シリーズ/53253シリーズ 嵌合状態図 参考
51065 SERIES/53253 SERIES MATED DRAWING (REF.)

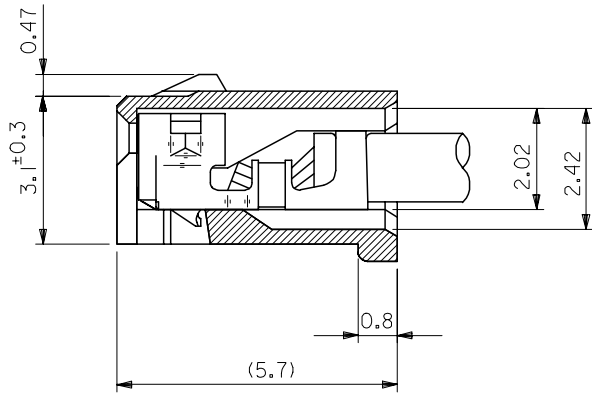
E

D

C

B

A



ターミナル装着状態図
TERMINAL ASS'Y DWG.

RELEASED EC NO: J2008-2041 DRWN: AOYAGI 2007/11/21 CHKD: THARUYAMA 2007/11/22 APPR: NUKITA 2007/11/22	GENERAL TOLERANCES (UNLESS SPECIFIED)		DIMENSION STYLE MM ONLY	SCALE 10:1	DESIGN UNITS METRIC	THIRD ANGLE PROJECTION
	10 UNDER	± 0.2	DRAWN BY Y. AOYAGI	DATE 2007/11/13	TITLE NEW 2.0 W/B CONN. 51065/53253OR51065/53254	
	10 OVER 30 UNDER	± 0.25	CHECKED BY N. UKITA	DATE 2007/11/13	MOLEX INCORPORATED	
	30 OVER	± 0.3	APPROVED BY N. UKITA	DATE 2007/11/13		
	ANGULAR	± 1 °	MATERIAL NO.		DOCUMENT NO. SD-51065-006	SHEET NO. 1 OF 1
DRAFT WHERE APPLICABLE MUST REMAIN WITHIN DIMENSIONS		SEE TABLE		THIS DRAWING CONTAINS INFORMATION THAT IS PROPRIETARY TO MOLEX INCORPORATED AND SHOULD NOT BE USED WITHOUT WRITTEN PERMISSION		

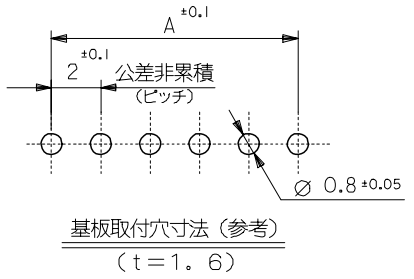
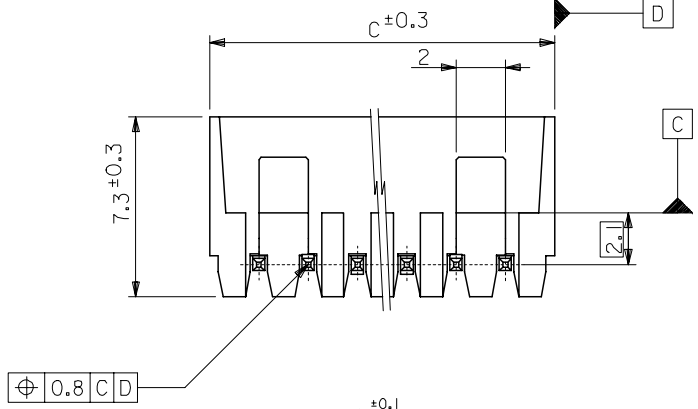
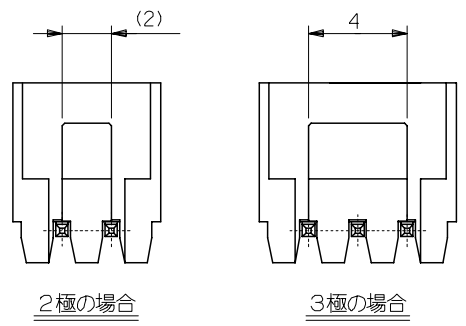
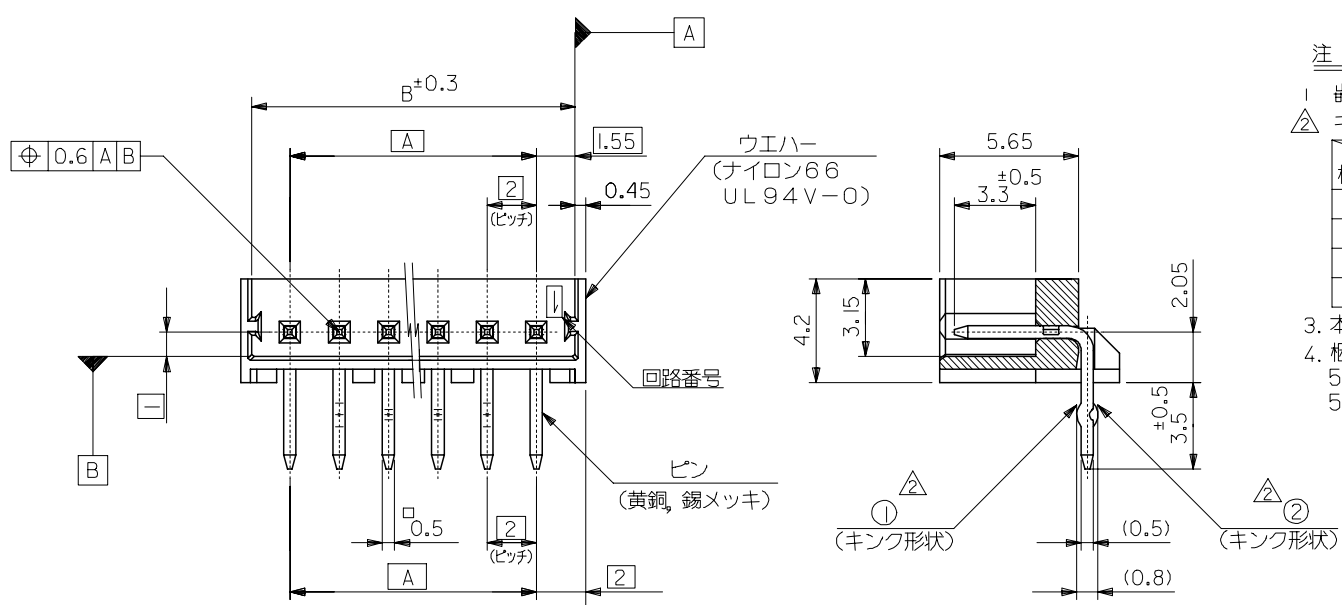
注 記

- 1 嵌合相手: 51065-**00
- 2 △ キングは下記表の位置及び形状に付加のこと。2極はキング無し。

回路番号	1	2	3	4	5	N-2	N-1	N
6極以上	—	①	②	—	—	②	①	—
5極	①	②	—	②	①			
4極	①	②	②	①				
3極	①	②	①					

- 3. 本製品は、53254-**10の鉛フリー品です。
- 4. 梱包仕様 PACKAGING
53254-**70 トレー TRAY
53254-**50 ホリ袋 POLYBAG

32	31.1	28	53254-1550	53254-1570	15
30	29.1	26	-1450	-1470	14
28	27.1	24	-1350	-1370	13
26	25.1	22	-1250	-1270	12
24	23.1	20	-1150	-1170	11
22	21.1	18	-1050	-1070	10
20	19.1	16	-0950	-0970	9
18	17.1	14	-0850	-0870	8
16	15.1	12	-0750	-0770	7
14	13.1	10	-0650	-0670	6
12	11.1	8	-0550	-0570	5
10	9.1	6	-0450	-0470	4
8	7.1	4	-0350	-0370	3
6	5.1	2	53254-0250	53254-0270	2
C	B	A	MATERIAL NO.	MATERIAL NO.	極数
			MODEL NO.	53254-**70/**50	



REVISED EC NO: J2005-2396 DRW:NAIDA 2005/02/22 CHK:K1010 2005/02/22 APPR:NUKITA 2005/02/28	GENERAL TOLERANCES (UNLESS SPECIFIED)		DIMENSION STYLE MM ONLY		SCALE 5:1	DESIGN UNITS METRIC		THIRD ANGLE PROJECTION	
	10 UNDER	±0.2	DRAWN BY DATE TTSUBO1 '04/01/15		TITLE NEW 2.0 WIRE TO BOARD CONN. WAFER ASSY R/A -LEAD FREE-				
	10 OVER 30 UNDER	±0.25	CHECKED BY DATE SMARUYAM '04/01/15		MOLEX INCORPORATED				
	30 OVER	±0.3	APPROVED BY DATE MSASAO '04/01/15		MATERIAL NO. SEE CHART		DOCUMENT NO. SD-53254-001		SHEET NO. 1 OF 1
ANGULAR ±3 °		DRAFT WHERE APPLICABLE MUST REMAIN WITHIN DIMENSIONS							
THIS DRAWING CONTAINS INFORMATION THAT IS PROPRIETARY TO MOLEX INCORPORATED AND SHOULD NOT BE USED WITHOUT WRITTEN PERMISSION									