



Photo: Peek & Cloppenburg KG Düsseldorf

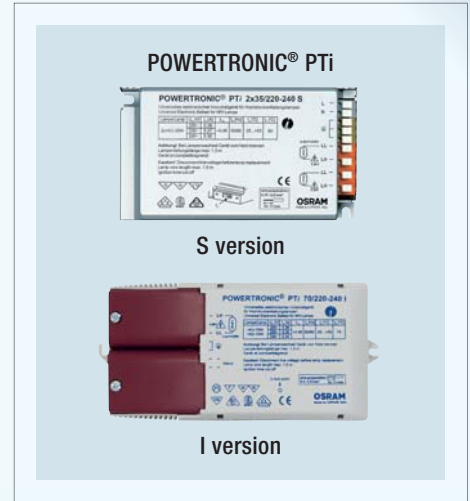


Photo: Peek & Cloppenburg KG Köln

**Your ECG benefits:**

- Full range: 1-lamp (20/35/70/100/150 W) and 2-lamp (2x35/2x70 W)
- Available as luminaire installation versions ("S" types) or with cable clamps ("I" versions)
- Excellent thermal behaviour and high maximum permissible ambient temperature  $t_a$
- Very long ECG life of 40,000 hours at max. permissible temperatures  $t_c$  and  $t_a$

- Power regulation and reversible shutdown of the ECG at excessively high ambient temperatures  $t_a$
- Integrated microprocessor for intelligent ignition control, optimum lamp operation and reliable shutdown of the lamp at the end of its life
- Flickerfree light thanks to 165 Hz square-wave operation
- Can be used to operate ceramic (HCl<sup>®</sup>) or quartz lamps (HQI<sup>®</sup>)

**Your system benefits:**

- Improved color stability and smaller drop in luminous flux
- Safer and more reliable lamp operation thanks to constant monitoring of the lamp parameters
- Up to 30 % longer lamp life
- Small dimensions for even smaller luminaire designs



# OSRAM POWERTRONIC<sup>®</sup> PTi

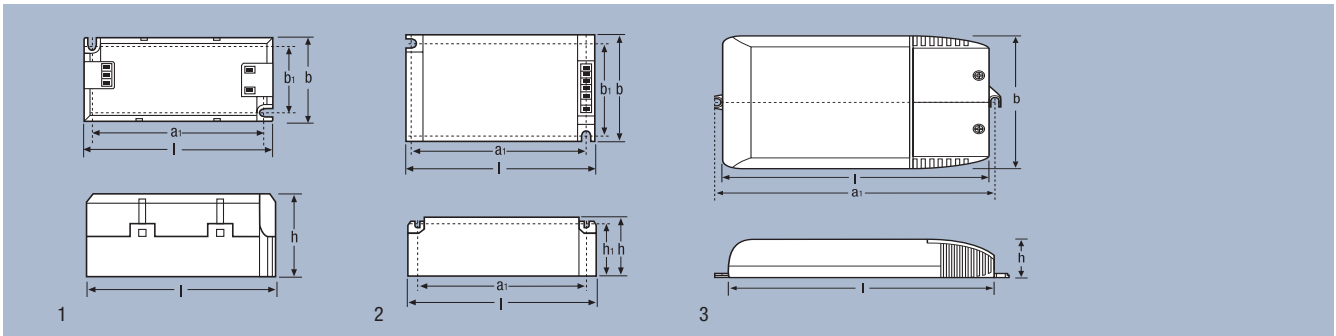
Intelligent POWERTRONIC<sup>®</sup> family: versatile, compact, powerful.

SEE THE WORLD IN A NEW LIGHT

# OSRAM



# TECHNICAL DATA



Reference	Product number													
<b>OSRAM POWERTRONIC® PTi</b>														
PT 20/220-240 S	4008321916181	for luminaire installation	20	22.5±1 W	220-240 V	55°C	75°C <sup>1</sup>	1	97	43	31	88	34	
PTi 35/220-240 S	4008321073112	for luminaire installation	35	43±2 W	220-240 V	65°C	85°C	2	110	75	30	99	64	23
PTi 35/220-240 I	4008321099488	with cable clamp	35	43±2 W	220-240 V	65°C	75°C	3	155	83	32	163		
PTi 70/220-240 S	4008321049629	for luminaire installation	70	80±3 W	220-240 V	55°C	85°C	2	110	75	30	99	64	23
PTi 70/220-240 I	4008321099501	with cable clamp	70	80±3 W	220-240 V	55°C	75°C	3	155	83	32	163		
PTi 100/220-240 S	4008321926630	for luminaire installation	100	106±3 W	220-240 V	55°C	80°C	2	150	85	31	137	74	25
PTi 100/220-240 I	4008321926654	with cable clamp	100	106±3 W	220-240 V	50°C	75°C	3	185	96	33	203		
PTi 150/220-240 S	4008321188090	for luminaire installation	150	160±4 W	220-240 V	55°C	85°C	2	150	85	31	137	74	25
PTi 150/220-240 I	4008321915535	with cable clamp	150	160±4 W	220-240 V	55°C	75°C	3	195	96	33	203		
PTi 2x35/220-240 S	4008321122247	for luminaire installation	2x35	86±4 W	220-240 V	55°C	80°C	2	135	75	30	124	64	23
PTi 2x35/220-240 I	4008321122261	with cable clamp	2x35	86±4 W	220-240 V	55°C	75°C	3	180	83	32	188		
PTi 2x70/220-240 S	4008321910035	for luminaire installation	2x70	159±6 W	220-240 V	55°C	80°C	2	165	90	30	153	80	23
PTi 2x70/220-240 I	4008321910042	with cable clamp	2x70	159±6 W	220-240 V	55°C	75°C	3	210	98	32	218		

<sup>1</sup> Provisional value



### System+ Guarantee.

POWERTRONIC® control gear from OSRAM enables metal halide lamps to be operated with perfect results and a high degree of intelligence. 5-year ECG guarantee in systems with POWERTRONIC® and 1-year guarantee on HCl®/HQI® lamps from OSRAM (after registering the system and under certain conditions of use; for terms and conditions and information on registration go to [www.osram.com/system-guarantee](http://www.osram.com/system-guarantee)).

### Which ECG for which lamp?

PT 1x20/220-240 S											
PTi 1x/2x35/220-240 (S and I)	•	•	•								
PTi 1x/2x70/220-240 (S and I)	•	•		•	•	•	•			•	•
PTi 1x100/220-240 (S and I)	•			•	•	•					
PTi 1x150/220-240 (S and I)	•			•	•	•			•	•	•



SEE THE WORLD IN A NEW LIGHT

