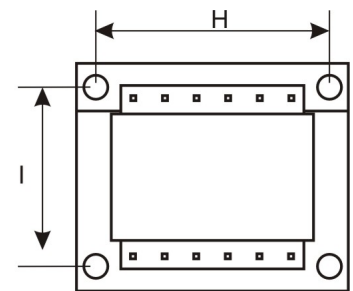
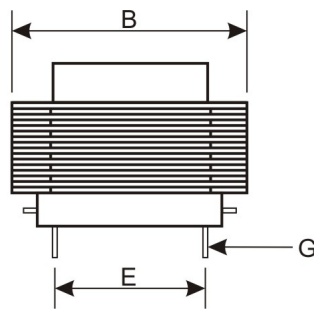
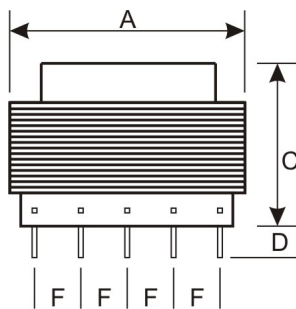
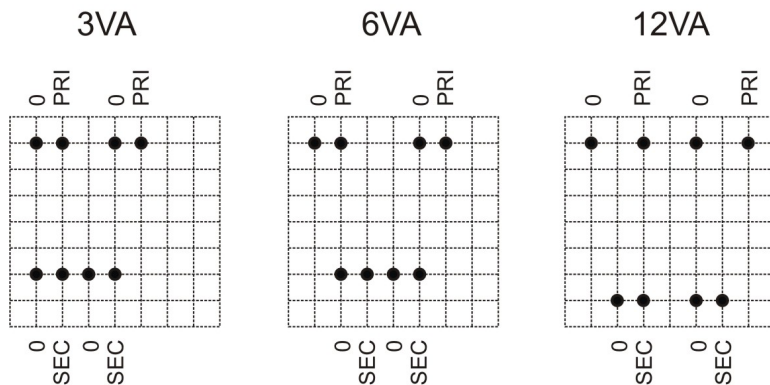


**Features:**

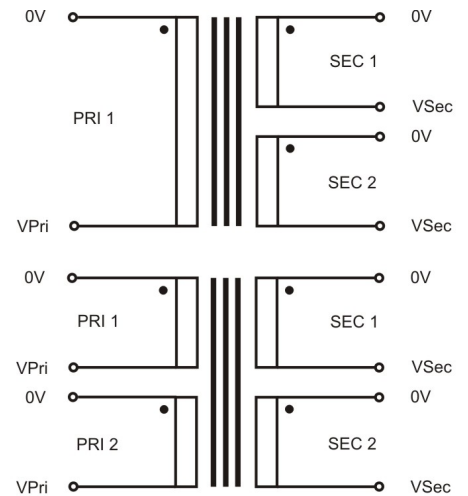
- High Quality PCB Transformer
- Single Primary/Secondary windings
- Power: 3 ~ 12 VA 50/60Hz
- Temperature Class: - Class B (130°C)
- Dielectric Strength: 3750Vrms
- Manufactured and tested in accordance to EN60950, CE



Unused Pins will be omitted from standard parts.



5.08mm Grid Pin View



Windings can be connected in Parallel or Series

VA Rating	Dimension (mm)									
	A	B	C	D	E	F	G	H	I	Weight (g)
3	38	32	30	4	25	5.08	Sq 0.7			140
6	43	36	32	4	25	5.08	Sq 0.7			180
12	54	45	39	4	30	5.08	Sq 0.7	45	36	340
<b>Tolerance</b>	+/-0.5	+/-0.5	+/-0.5	+/-1.0	+/-0.5	+/-0.2	+/-0.1			approx

Products can be altered to suite custom requirements. Please contact Vigortronix for your specific requirements.  
 The information contained in this document is subject to change without notice.



Twin Secondaries					
VA Rating	Part No	Input Voltage (Vac)	Output Voltage (Vac)	Output Current (mA)	Regulation (%)
3	VTX-120-003-606	2 x 120	2 x 6	250	28
3	VTX-120-003-609	2 x 120	2 x 9	166	28
3	VTX-120-003-612	2 x 120	2 x 12	125	28
3	VTX-120-003-615	2 x 120	2 x 15	100	28
3	VTX-120-003-618	2 x 120	2 x 18	83	28
3	VTX-120-003-620	2 x 120	2 x 20	75	28
3	VTX-120-003-624	2 x 120	2 x 24	63	28
6	VTX-120-006-606	2 x 120	2 x 6	500	25
6	VTX-120-006-609	2 x 120	2 x 9	333	25
6	VTX-120-006-612	2 x 120	2 x 12	250	25
6	VTX-120-006-615	2 x 120	2 x 15	200	25
6	VTX-120-006-618	2 x 120	2 x 18	166	25
6	VTX-120-006-620	2 x 120	2 x 20	150	25
6	VTX-120-006-624	2 x 120	2 x 24	125	25
12	VTX-120-012-606	2 x 120	2 x 6	1000	15
12	VTX-120-012-609	2 x 120	2 x 9	666	15
12	VTX-120-012-612	2 x 120	2 x 12	500	15
12	VTX-120-012-615	2 x 120	2 x 15	400	15
12	VTX-120-012-618	2 x 120	2 x 18	333	15
12	VTX-120-012-620	2 x 120	2 x 20	300	15
12	VTX-120-012-624	2 x 120	2 x 24	250	15