

473-066

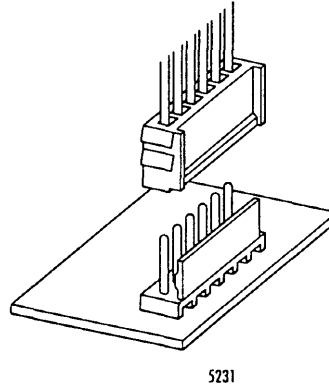
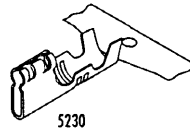
**FEATURES AND TECHNICAL DATA**

5230:

- Low profile
- 4 points of contact
- Material: pre-tinned, phosphor bronze
- Anti-fishhooking contact design
- Used in Molex 5231 housing

5231:

- 2-10 circuits
- Extremely low profile
- UL 94V-0 nylon 6/6
- Friction lock
- Polarized
- Terminal: Molex 5230 terminal
- Connecting wafer: Molex 5233/5234



SPOX (TM)

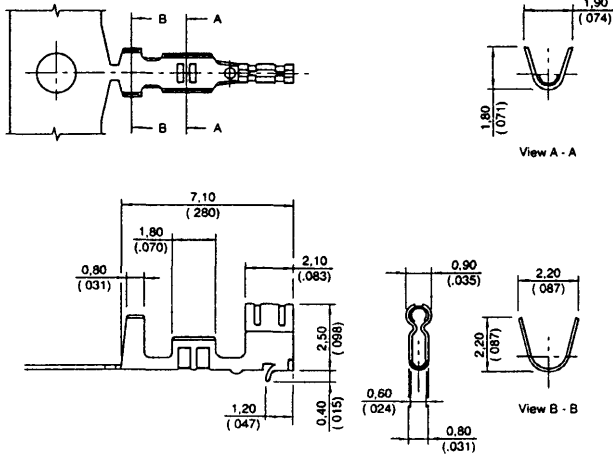
2,0 mm (.079")

WIRE-TO-BOARD SYSTEM

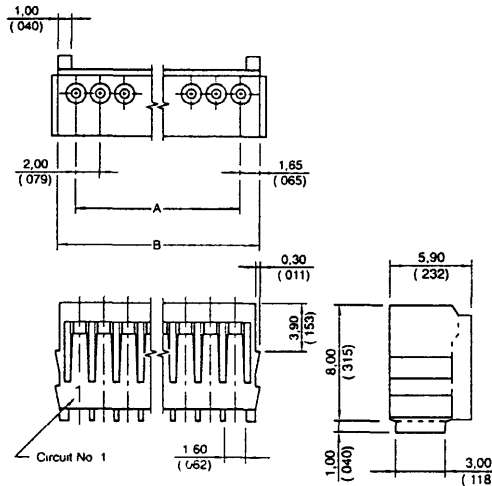
SPRING BOX CRIMP TERMINAL 5230

CRIMP TERMINAL HOUSING 5231

**5230**



**5231**



**ORDERING INFORMATION AND DIMENSIONS**

Order no.	Terminal	Wire gauge	Insulation diameter	Contact material
08-70-0072	Chain	22 - 30	1,5 (.054)	Phosphor bronze
08-70-0073	Loose	AWG	max.	

**APPLICATION TOOLING**

Extraction tool:	J5800-008 (11-26-7074)
Handtool:	JHTR 5905 (11-26-0070)

Ccts	Order no.	Dimensions	
		A	B
2	10-01-4024	2,0 / .079	5,5 / .217
3	10-01-4034	4,0 / .157	7,5 / .295
4	10-01-4044	6,0 / .236	9,5 / .374
5	10-01-4054	8,0 / .315	11,5 / .453
6	10-01-4064	10,0 / .394	13,5 / .531
7	10-01-4074	12,0 / .472	15,5 / .610
8	10-01-4084	14,0 / .551	17,5 / .689
9	10-01-4094	16,0 / .630	19,5 / .768
10	10-01-4104	18,0 / .709	21,5 / .846

Note: Larger circuit sizes available upon request to your local distributor.

