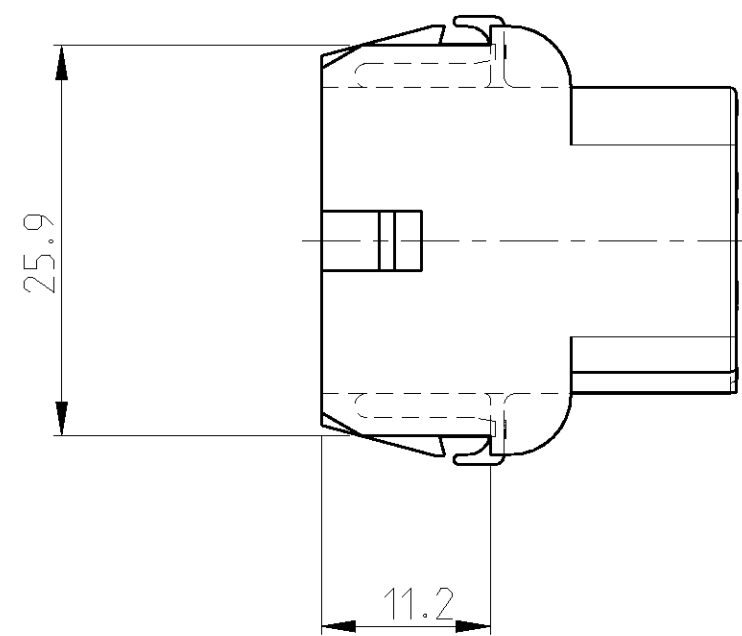
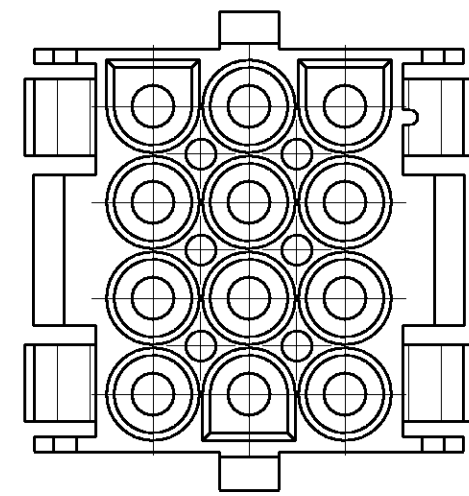
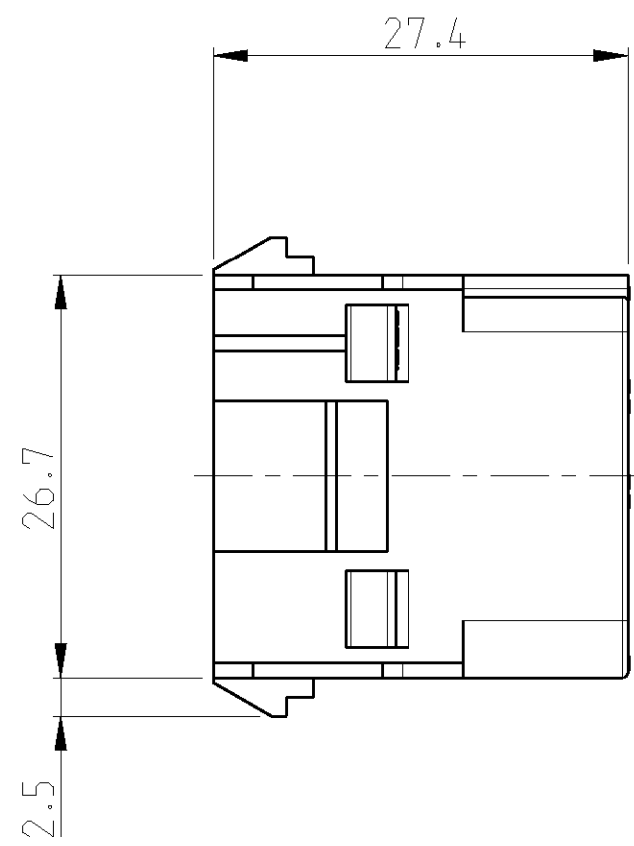
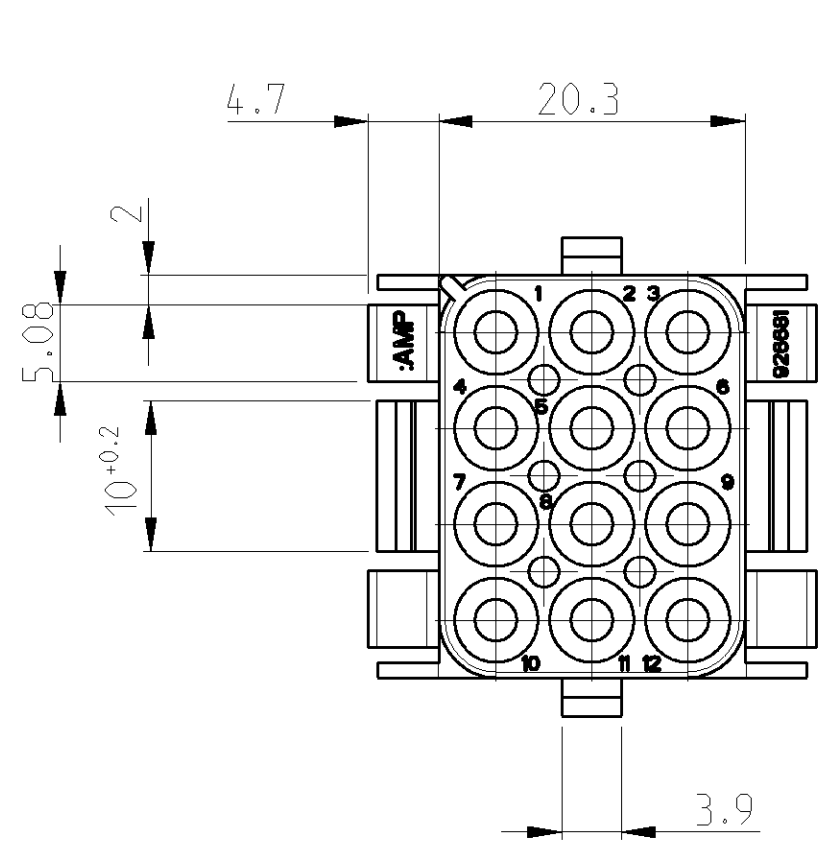
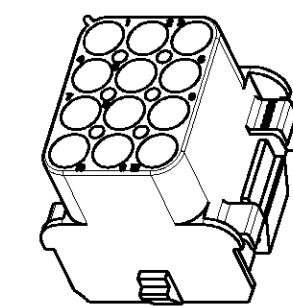
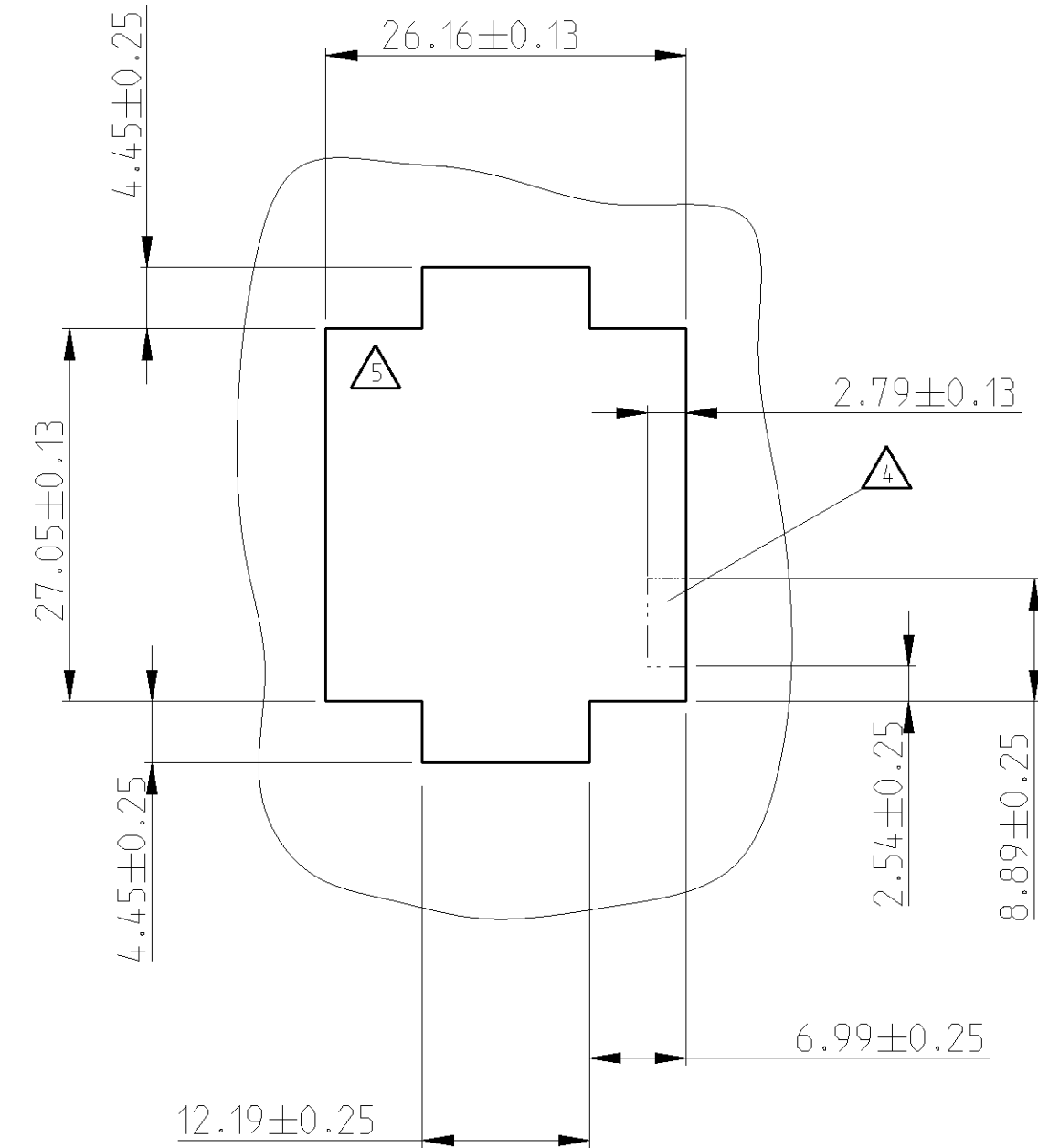


THIS DRAWING IS UNPUBLISHED. RELEASED FOR PUBLICATION 2003
 © COPYRIGHT 2003 BY TYCO ELECTRONICS CORPORATION. ALL RIGHTS RESERVED.

LOC	DIST	REVISIONS					
		P	LTR	DESCRIPTION	DATE	DWN	APVD
A1	-	B2		NEW CAD-DRAWING CREATED	08MAY2003	-	-



Montageausschnitt/PANEL CUT OUT
 Bestückungsseite/LOADING SIDE



1:1

Bemerkungen
 NOTES

- 1 Geeignet für UMNL Stift- und Buchsenkontakte
 BEEN SUITABLE FOR UMNL PIN- AND SOCKET CONTACTS
- 2 Empfohlene Blechstärke 0.75 - 2.3 mm
 RECOMMEND SHEET METAL THICKNESS 0.75 - 2.3 mm
- 3 Gehäuse muß in Stanzrichtung eingeführt werden
 HOUSING MUST BE INTRODUCED TO PUNCHING DIRECTION
- 4 Für verschlüsseltes Einsetzen der Gehäuse
 FOR CODED USING OF THE HOUSINGS
- 5 Position von Kammer 1 bei verschlüsseltem Einsetzen
 POSITION OF CAVITY 1 FOR CODED USING
- 6 Neues Material (Phosphor und Halogen frei)
 NEW MATERIAL (PHOSPHORUS AND HALOGENOUS FREE)

926681-5	B	PA6.6 UL94 V-2	natur/NATURAL
926681-4	B	PA6.6 UL94 V-2 DURETHAN VPKU2	weiß/WHITE
926681-3	B	PA6.6 UL94 V-0	6 natur/NATURAL
926681-2	A	PA6.6 UL94 V-0	6 schwarz/BLACK
926681-1	A	PA6.6 UL94 V-2 ZYTEL E101	natur/NATURAL
PART NO.	REV.	MATERIAL	COLOR

DIMENSIONS:		TOLERANCES UNLESS OTHERWISE SPECIFIED:	
mm			
0 PLC	±		
2 PLC	± 0.2		
3 PLC	±		
4 PLC	±		
ANGLES	±		
MATERIAL		FINISH	

DWN	Abraham.G.	08MAY03	tyco Electronics AMP GmbH D - 64625 Bensheim
CHK	Kampmann.H.	09MAY03	
APVD	-	-	
NAME			12-pol. UMNL Aufnahmegehäuse UMNL 12-WAY CAP HSG
PRODUCT SPEC	108-1031	APPLICATION SPEC	114-18011
WEIGHT	9.5 g	SIZE	A2
CUSTOMER DRAWING	SCALE 2:1	SHEET 1 OF 1	REV B2