



NE AC/DC SERIES

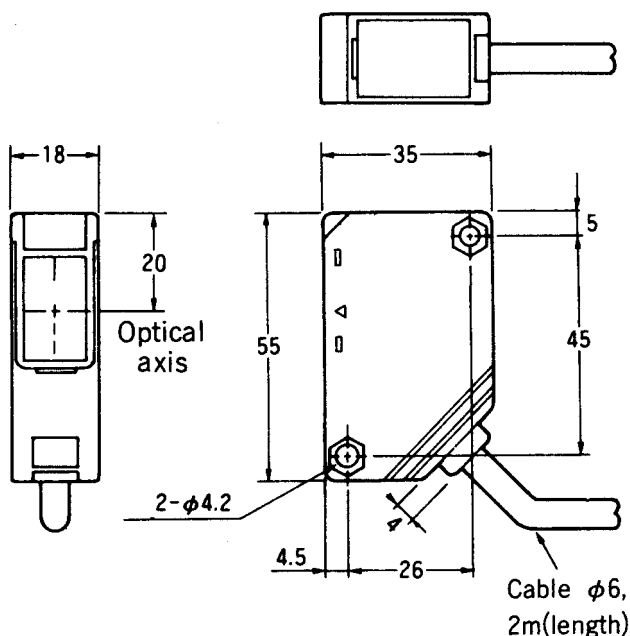
- High Power Photosensor
- Compact Housing
- Multivoltage 24 - 240 VAC/DC
- N/O N/C Relay Outputs
- Polarised Retro Reflective
- 30 Metre Throughbeam Range



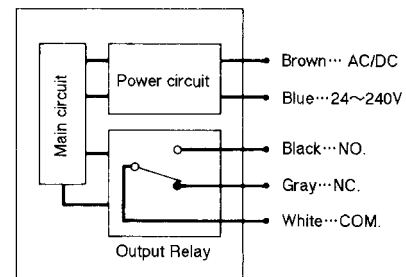
ELECTRICAL SPECIFICATIONS

Model	NET10RD	NET30D	NEM5RD	NER10
Detection	Throughbeam		Polarised Retro-reflection	Diffuse reflection
Range	10m (Max.)	30m (Max.)	0.03-5m (Max.)	1m (Max.)
Light source	Red LED (700nm)	Infrared (880nm)	Red LED (700nm)	Infrared (880nm)
Power supply	24V to 240V AC/DC \pm 10%, 50/60Hz			
Consumption (Max.)	Trns : 1.5W Rcvr : 2W (Max.)	Trns : 1.8W Rcvr : 2W (Max.)	2W (Max.)	
Operating mode	Dark-ON			Light-ON
Output Relay	1A 250VAC MAX Resistive Load, 1A 30VDC MAX Resistive Load			
Obj. resolution	Min. 20mm Dia		-	
Response time	5msec. (Max.)			
Ambient light	Withstands 10,000 Lux			
LED indicators	OPL : Red, Stability : Green, Power : Red (Only NE-TL30)			
Sensitivity	-	-	Potentiometer	
Operating temp.	-25°C to +55°C			
Humidity	35-85% RH			
Case protection	IP66			
Vibration	10-55Hz, 1.5mm Amplitude, 2HR, 3 Directions			
Connection	Flying lead 2m			

DIMENSIONS

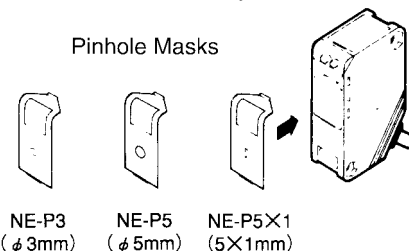


ELECTRICAL CONNECTION



Pinhole masks are available to reduce minimum object resolution

Pinhole Masks



Detection distances when the pinhole masks are attached onto both the transmitter and the receiver.

Model	Pinhole		
	NE-P3	NE-P5	NE-P5X1
NE-T10R (D)	1m	3m	0.7m
NE-T30 (D)	3m	7m	2m

Reflector	Range
K-7	0.03-5m
K-71	0.03-2m
K-2	0.1 ~3m
S-510G	0.1 ~3m