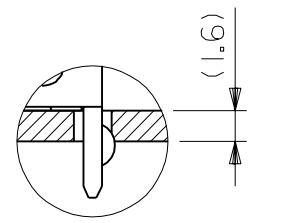
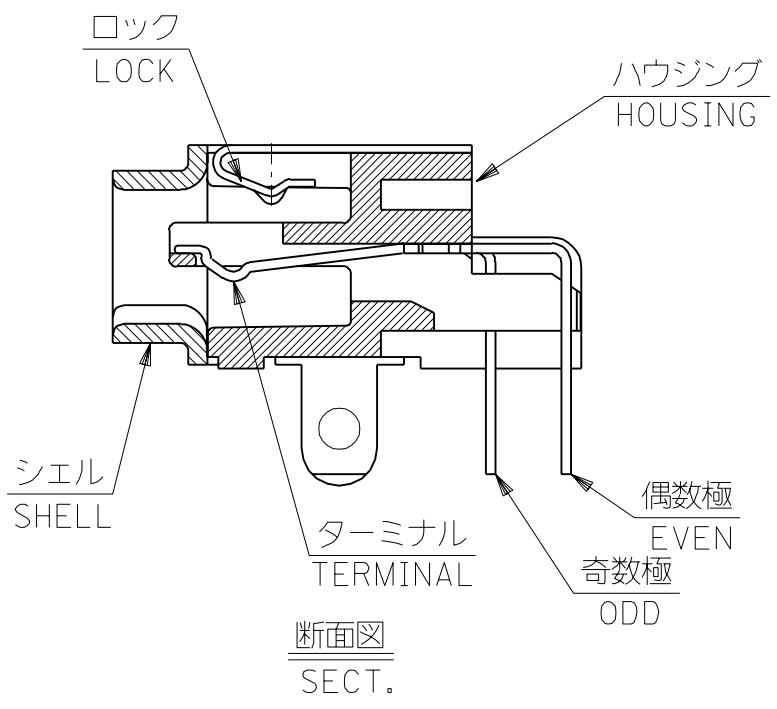
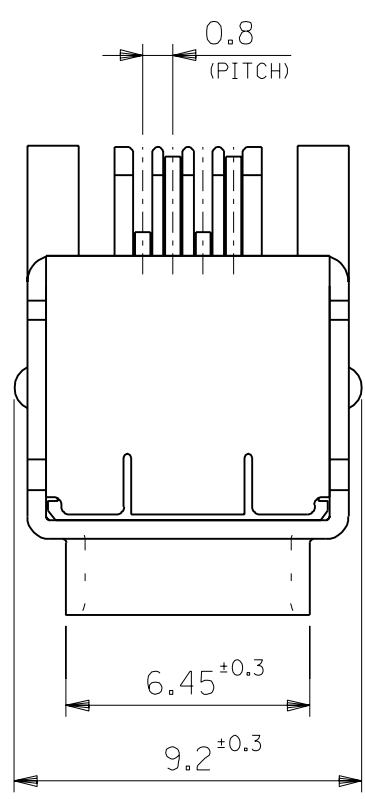
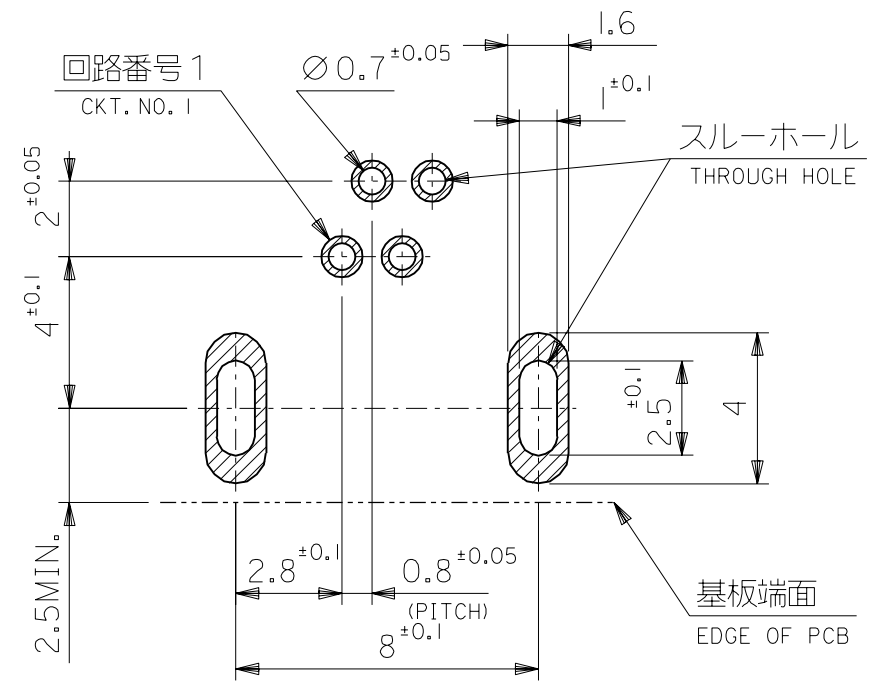


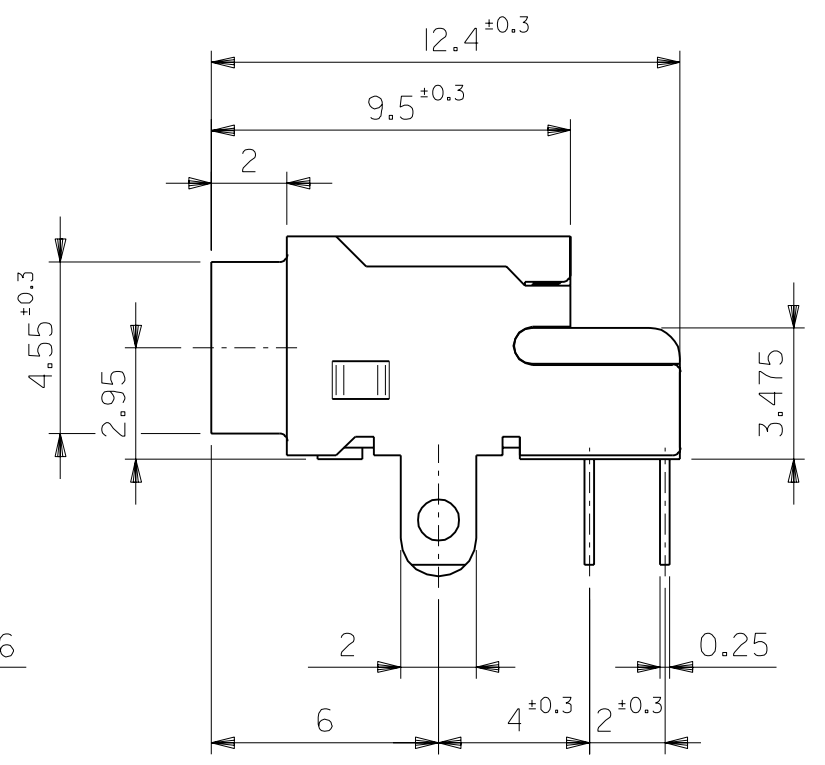
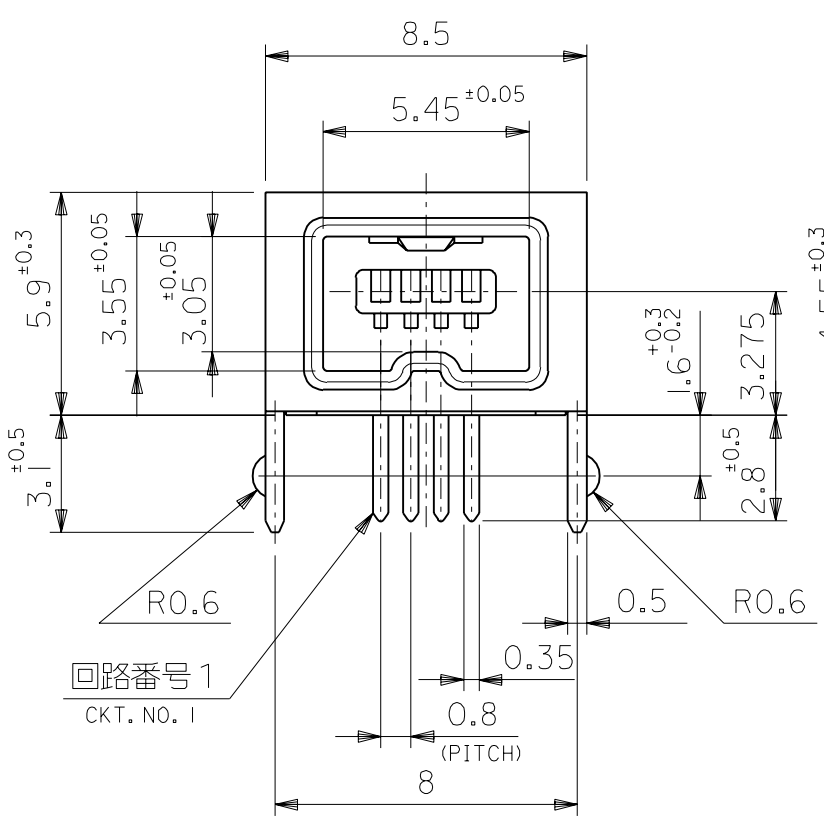
DWG. NO.  
SD-54030-037



基板装着参考図 (シエル)  
FIGURE OF MOUNTING (SHELL)



推奨基板寸法 (実装面側) (t=1.6)  
REFERENCE USE ONLY PCB PATTERN LAYOUT



注記  
NOTES

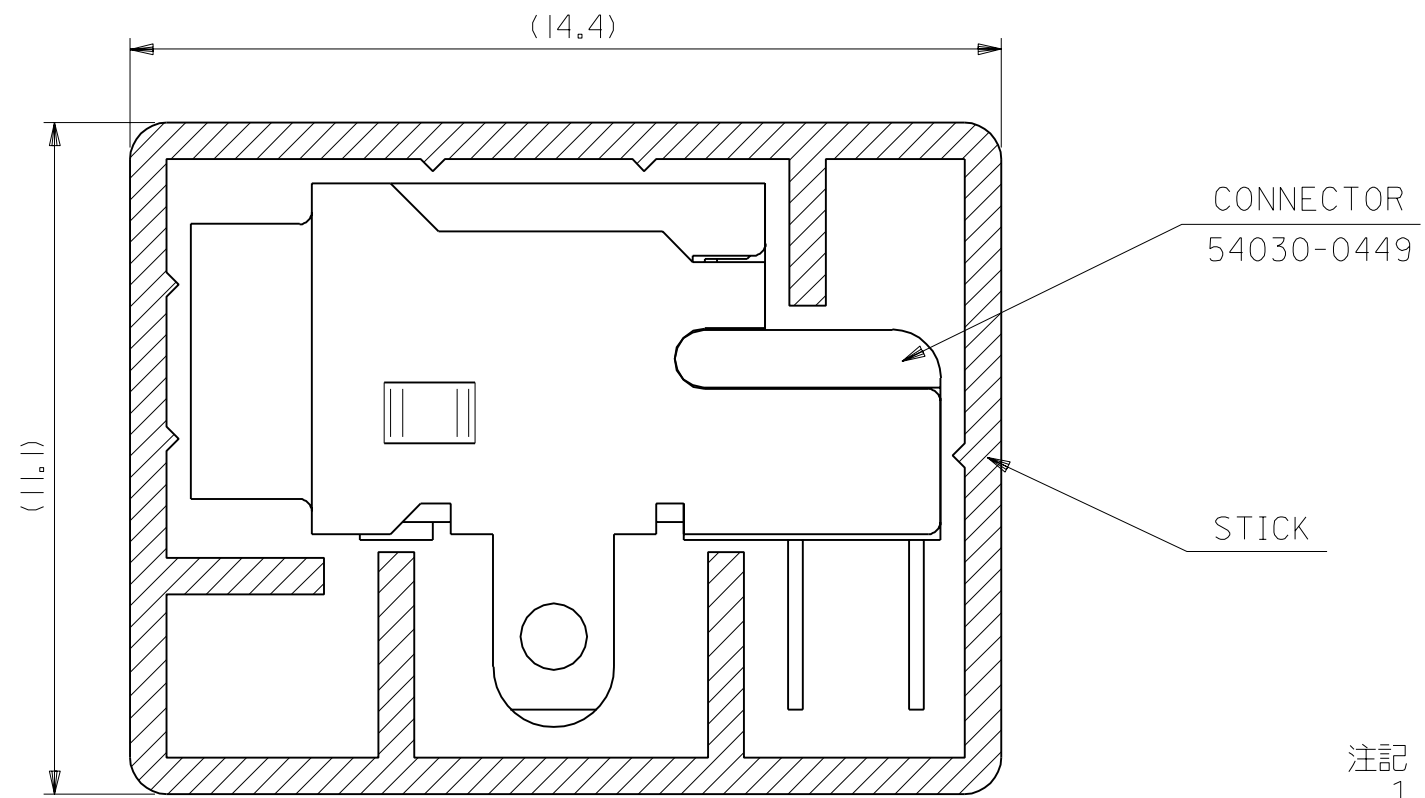
1. 材質 MATERIAL  
 ハウジング: PPS, UL94V-0  
 HOUSING: PPS, UL94V-0  
 ターミナル: リン青銅  
 TERMINAL: PHOSPHOR BRONZE  
 メッキ 接点部: 金メッキ 0.76 MICROMETER MIN.  
 PLATING CONTACT AREA: GOLD 0.76 MICROMETER MIN.  
 半田付け部: 錫メッキ 1.0 MICROMETER MIN.  
 SOLDER TAIL AREA: TIN 1.0 MICROMETER MIN.  
 下地メッキ: ニッケルメッキ 1.0 MICROMETER MIN.  
 UNDER PLATING: NICKEL 1.0 MICROMETER MIN.  
 シエル: 鋼  
 SHELL: STEEL  
 メッキ 半田付け部: 錫メッキ 1.0 MICROMETER MIN.  
 PLATING SOLDER TAIL AREA: TIN 1.0 MICROMETER MIN.  
 下地メッキ: ニッケルメッキ 1.0 MICROMETER MIN.  
 UNDER PLATING: NICKEL 1.0 MICROMETER MIN.  
 ロック: リン青銅  
 LOCK: PHOSPHOR BRONZE  
 メッキ 錫メッキ 1.0 MICROMETER MIN.  
 PLATING TIN-PLATING: 1.0 MICROMETER MIN.
2. 本製品は 54030-\*\*-41 の鉛フリー品である。  
 THIS PRODUCT IS LEAD FREE OF 54030-\*\*-41

DO NOT SCALE DRAWING

54030-**-49 SCALE: <input checked="" type="checkbox"/> mm <input type="checkbox"/> INCH DESIGN UNITS: <input checked="" type="checkbox"/> mm <input type="checkbox"/> INCH		MODEL NO. 54030-0449	DIMENSIONS: <input type="checkbox"/> mm <input type="checkbox"/> INCH <input checked="" type="checkbox"/> mm ONLY	SHT 4	REV 4
DRAWN BY & DATE: H.SHIMABUKURO '04/3/16 CHECKED BY & DATE: K.TOJO '04/3/16 APPROVED BY & DATE: M.SASAO '04/3/16		TITLE: -LEAD FREE- 0.8mm PITCH I/O CONN. SOCKET HOUSING ASSY			
WIRE RANGE 適用電線範囲: // ANGLE 角度: ±3°		MOLEX INCORPORATED MATERIAL NO. SEE CHART DRAWING NO. SD-54030-037 SHEET NO. 1			
RELEASED '04/3/16 DRWN: H.SHIMABUKURO CH'K: K.TOJO APPR: M.SASAO		THIS DRAWING CONTAINS INFORMATION THAT IS PROPRIETARY TO MOLEX INCORPORATED AND SHOULD NOT BE USED WITHOUT WRITTEN PERMISSION.			

54030-0449	4
MATERIAL. NO.	CKT.

DWG. NO.  
SD-54030-038



- 注記 (NOTES)
1. スティックの両端はキャップ止め。  
BOTH ENDS WITH CAPS.
  2. スティック肉厚: 0.6  
THICKNESS : 0.6
  3. スティック全長: 600±2  
TOTAL LENGTH : 600±2
  4. 本製品は 54030-\*\*\*92 の鉛フリー品である。  
THIS PRODUCT IS LEAD FREE OF 54030-\*\*\*92

DO NOT SCALE DRAWING

E64 NO. DRWN: CHK: APPR:		E63 NO. DRWN: CHK: APPR:		E62 NO. DRWN: CHK: APPR:		E61 NO. DRWN: CHK: APPR:		RELEASED '04/3/16 E60 NO. J2004-3122 DRWN: SHIMABUKURO CHK: K.TOJO APPR: M.SASAO	DESCRIPTION	MATERIAL 材料	GENERAL TOLERANCES: (UNLESS SPECIFIED) 一般公差	SCALE --//	DESIGN UNITS <input checked="" type="checkbox"/> mm <input type="checkbox"/> INCH	MODEL NO. 54030-***72	DIMENSIONS: <input type="checkbox"/> mm <input type="checkbox"/> INCH <input checked="" type="checkbox"/> mm ONLY	SHT REV
									SEE NOTES	SEE NOTES	10 UNDER 未満 ±0.2	DRAWN BY & DATE H.SHIMABUKURO '04/3/16	TITLE: -LEAD FREE- 54030-0449 STICK PACKAGING			
									FINISH 仕上げ	SEE NOTES	10 OVER 以上 30 UNDER 未満 ±0.25	CHECKED BY & DATE K.TOJO '04/3/16	MOLEX INCORPORATED			
									WIRE RANGE 適用電線範囲	---	30 OVER 以上 ±0.3	APPROVED BY & DATE M.SASAO '04/3/16				MATERIAL NO. SEE CHART
									INS. RANGE 被覆外径	---	ANGLE 角度 ±3°	THIS DRAWING CONTAINS INFORMATION THAT IS PROPRIETARY TO MOLEX INCORPORATED AND SHOULD NOT BE USED WITHOUT WRITTEN PERMISSION.			SIZE B	

60	54030-0472	4
PACKAGING QUANTITY	MATERIAL NO.	CKT. NO.