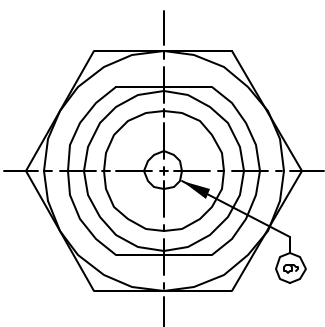
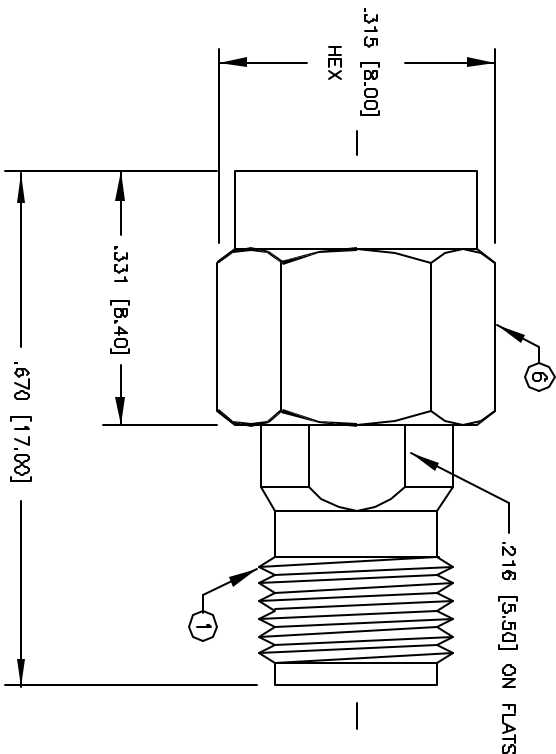


© COPYRIGHT 1997 BY SPC TECHNOLOGY. ALL RIGHTS RESERVED. NO PORTION OF THIS PUBLICATION, WHETHER IN WHOLE OR IN PART CAN BE REPRODUCED WITHOUT THE EXPRESS WRITTEN CONSENT OF SPC TECHNOLOGY.

REVISIONS		DDC. NO. SPC-FD05, Total Pages: 2
DCP #	REV	Effective: 3/3/97, DCP Nos: 103 Supersedes DCP No: 97
18	A	RELEASED
428	B	CHANGE ELECTRONIC FILE NAME
		DRAWN DATE CHECKD DATE APPRVD DATE
		D.J.C. 4/2/97 J.C. 4/8/97 B.B. 4/16/97
		DJC 2/12/98 JC 2/17/98 JC 2/17/98



SPECIFICATIONS:

IMPEDANCE: 50 OHMS
 WORKING VOLTAGE: 335 VRMS @ SEA LEVEL
 FREQUENCY RANGE: 0-12.4 GHz

ITEM	DESCRIPTION	QTY	MATERIAL	FINISH
6	SHELL	1	BRASS	NICKEL
5	RETAINING RING	1	BERYLLIUM COPPER	NONE
4	GASKET	1	S.I. RUBBER	BRIGHT ORANGE
3	DIELECTRIC	2	TEFLON	NONE
2	CONTACT	1	BERYLLIUM COPPER	GOLD
1	BODY	1	BRASS	NICKEL

DISCLAIMER
 ALL STATEMENTS AND TECHNICAL INFORMATION CONTAINED HEREIN ARE BASED UPON INFORMATION AND/OR TESTS WE BELIEVE TO BE ACCURATE AND RELIABLE. SINCE CONDITIONS OF USE ARE BEYOND OUR CONTROL, THE USER SHALL DETERMINE THE SUITABILITY OF THE PRODUCT FOR THE INTENDED USE AND ASSUME ALL RISK AND LIABILITY WHATSOEVER IN CONNECTION THEREWITH.



SPC TECHNOLOGY
 2070100, LL 60040-4198

DIMENSIONS ARE FOR REFERENCE PURPOSES ONLY.

DRAWN BY:	DATE:
DANIEL CAREY	4/2/97
CHECKED BY:	DATE:
JOHN COLE	4/8/97
APPROVED BY:	DATE:
BRETT BRAATZ	4/18/97

DRAWING TITLE:		SMA MALE TO SMA FEMALE ADAPTER	
SIZE	DWG. NO.	CAD FILE	REV
A	8589-0851	16N2733.DWG	B
SCALE:	NTS	U.O.M.: INCHES [mm]	SHEET: 1 OF 1