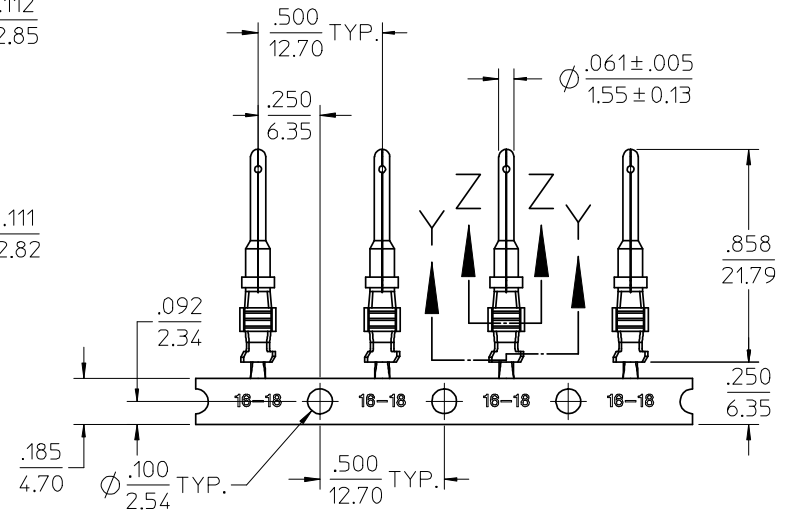
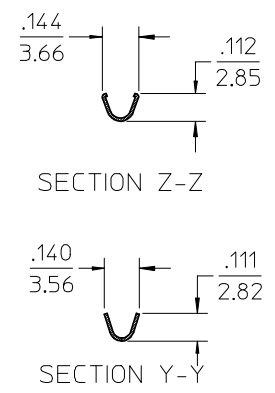
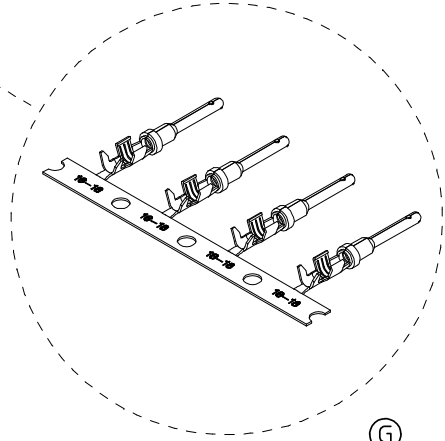
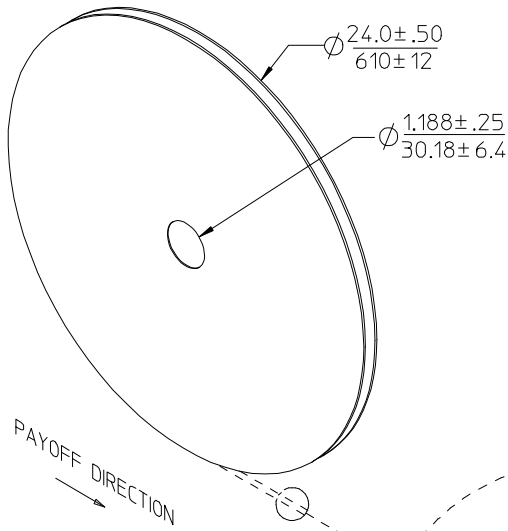


STRIP MATERIAL NUMBER	FINISH
84590-0020	OVERALL NICKEL 80µ" MINIMUM



Ⓒ WIRE INSULATION O.D. RANGE $\frac{.055-.085}{1.40-2.16}$

- NOTES:
1. MATERIAL: COPPER ALLOY .0120/0.305 THICK.
 2. FINISH: SEE CHART.
 3. STRIP TERMINALS ARE REELED AS SHOWN ABOVE, 3000 PARTS PER REEL.
 4. TERMINAL FOR USE WITH SERIES XRC CONNECTOR ASSEMBLIES.
 5. ALL DIMENSIONS ARE REFERENCE.
 6. ALL MATERIALS AND FINISHES ARE ROHS COMPLIANT.

UPDATE WIRE INSL. OD EC NO: WNA2008-0261 DRW:WJLEUNG 2008/04/29 CHKD:RDEROSS 2008/04/30 APPR:RDEROSS 2008/05/01 G	QUALITY SYMBOLS ▽=0 ▽=0	GENERAL TOLERANCES (UNLESS SPECIFIED)		DIMENSION STYLE IN/MM		SCALE 2:1	DESIGN UNITS INCH	THIRD ANGLE PROJECTION		
		4 PLACES ± --- ± ---	mm INCH	DRAWN BY RSTONE	DATE 10/18/04	TITLE CONTACT PIN 16-18 AWG				
		3 PLACES ± --- ± .010		CHECKED BY APLAZA	DATE 10/18/04	MOLEX INCORPORATED				
		2 PLACES ± 0.25 ± .02 1 PLACE ± 0.5 ± ---		APPROVED BY LROTHAUS	DATE 10/18/04	MATERIAL NO. SEE CHART	DOCUMENT NO. SD-84590-005	SHEET NO. 1 OF 1		
DRAFT WHERE APPLICABLE MUST REMAIN WITHIN DIMENSIONS		THIS DRAWING CONTAINS INFORMATION THAT IS PROPRIETARY TO MOLEX INCORPORATED AND SHOULD NOT BE USED WITHOUT WRITTEN PERMISSION								